

TFCFL B096KDPR3B

TFCFL Ganeed 7-Light Modern LED Flush Mount Ceiling Lamp

Model: B096KDPR3B

Brand: TFCFL

1. INTRODUCTION

Thank you for choosing the TFCFL Ganeed 7-Light Modern LED Flush Mount Ceiling Lamp. This manual provides essential information for the safe installation, operation, and maintenance of your new lighting fixture. Please read these instructions thoroughly before installation and retain them for future reference.

2. SAFETY INFORMATION

WARNING: To reduce the risk of fire, electric shock, or personal injury, always follow these safety precautions:

- Always turn off the power at the main circuit breaker or fuse box before beginning installation or performing any maintenance.
- Consult a qualified electrician if you are unsure about the installation process.
- Ensure all electrical connections are made in accordance with local codes and ordinances, as well as the National Electric Code (NEC).
- Do not install this fixture in wet or damp locations. This product is designed for indoor use only.
- Handle the lamp components with care to prevent damage.
- Do not attempt to modify the fixture. Any modifications may void the warranty and create a safety hazard.
- Keep packaging materials out of reach of children.

3. PACKAGE CONTENTS

Verify that all components are present and undamaged before installation. If any parts are missing or damaged, contact customer support.

- 1 x TFCFL Ganeed 7-Light Modern LED Flush Mount Ceiling Lamp

- 1 x Remote Control
- 1 x Mounting Hardware Kit (screws, wire nuts, etc.)
- 1 x Instruction Manual



The TFCFL Ganeed 7-Light Modern LED Flush Mount Ceiling Lamp, featuring a unique spiral design with multiple light bars.

4. SPECIFICATIONS

Feature	Specification
Brand	TFCFL
Model Name	Ganeed Flush Mount Ceiling Lamp
ASIN	B096KDPR3B
Color	White

Feature	Specification
Material	Polycarbonate, Polyvinyl Chloride, Acrylic
Style	Modern
Light Fixture Form	Ceiling (Flush Mount)
Room Type	Bedroom, Dining Room, Hallway, Home Office, Kitchen, Living Room, Lobby
Indoor/Outdoor Usage	Indoor
Power Source	Corded Electric
Special Feature	Anti-Rust, Dimmable, Color Changeable
Control Method	Remote Control
Light Source Type	LED
Number of Light Sources	7
Included Components	Remote Control
Assembly Required	No
Dimensions (L x W x H)	42.5" x 11.8" x 5.9" (approximate)

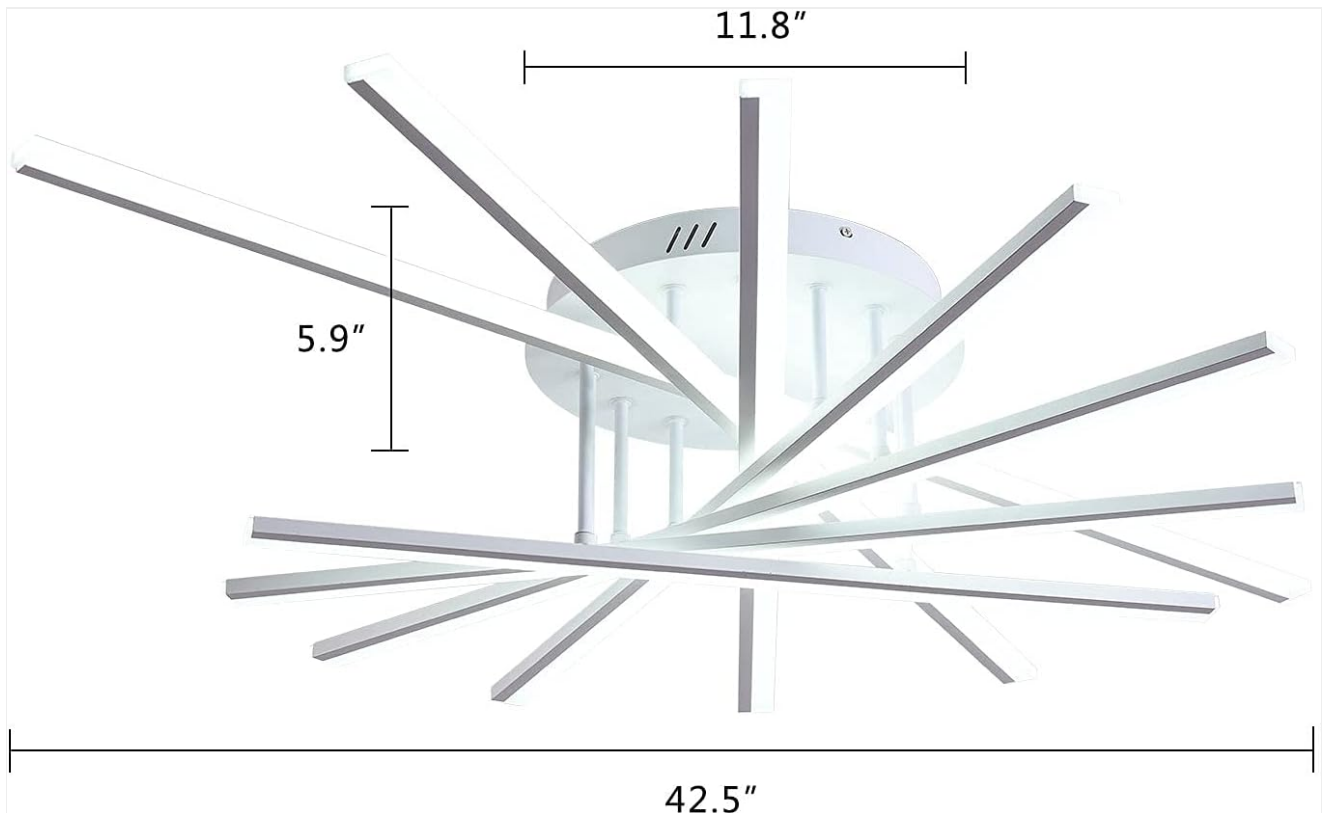


Diagram illustrating the dimensions of the ceiling lamp: 42.5 inches length, 11.8 inches width, and 5.9 inches height.

5. SETUP AND INSTALLATION

This fixture is designed for flush mount installation. Professional installation is recommended.

Pre-Installation Checklist:

- Ensure power is OFF at the circuit breaker.
- Gather necessary tools: screwdriver, wire strippers, electrical tape, ladder.
- Confirm all package contents are present.

Installation Steps:

1. **Prepare the Mounting Surface:** Ensure the ceiling junction box is securely installed and capable of supporting the fixture's weight.
2. **Attach Mounting Bracket:** Secure the mounting bracket to the junction box using the provided screws.
3. **Make Electrical Connections:** Connect the fixture's wires to the household electrical wires. Typically, connect the black wire (live) from the fixture to the black wire from the ceiling, the white wire (neutral) from the fixture to the white wire from the ceiling, and the ground wire to the ground wire from the ceiling. Use wire nuts to secure connections.
4. **Mount the Fixture:** Carefully lift the fixture and align it with the mounting bracket. Secure the fixture to the bracket using the provided screws.
5. **Restore Power:** Once the fixture is securely installed and all connections are checked, restore power at the circuit breaker.



A detailed view of the lamp's central mounting base and the arrangement of its individual LED light bars, illustrating the connection points.

6. OPERATING INSTRUCTIONS

Your TFCFL Ganeed LED Ceiling Lamp comes with a remote control for convenient operation.

Remote Control Functions:

- **Power On/Off:** Press the power button to turn the light on or off.
- **Brightness Adjustment:** Use the '+' and '-' buttons to increase or decrease the light brightness.
- **Color Temperature Change:** The remote allows you to cycle through three color temperatures:
 - **Warm White (3000K):** Creates a cozy and inviting atmosphere.
 - **Neutral White (4000K):** Provides balanced, natural light for general tasks.
 - **Cool White (6000K):** Offers bright, crisp illumination for focused activities.



Warm Light



Neutral Light



White Light

The TFCFL Ganeed LED Ceiling Lamp illuminating a bedroom with a warm light setting (3000K), creating a cozy ambiance.



The TFCFL Ganeed LED Ceiling Lamp providing neutral light (4000K) in a bedroom, suitable for general tasks.



The TFCFL Ganeed LED Ceiling Lamp displaying a cool white light setting (6000K) in a bedroom, ideal for bright illumination.

Your browser does not support the video tag.

Official product video demonstrating the TFCFL Ganeed 7-Light Modern LED Flush Mount Ceiling Lamp, showcasing its design and various lighting modes in a living room setting.

7. MAINTENANCE

Proper maintenance ensures the longevity and optimal performance of your ceiling lamp.

- **Cleaning:** Before cleaning, ensure the power is turned off. Use a soft, dry cloth to wipe the fixture. Do not use abrasive cleaners, solvents, or polishes as they may damage the finish or electrical components.
- **Bulb Replacement:** This fixture uses integrated LED lights that are not user-replaceable. If the LEDs fail, the entire fixture may need to be replaced. Contact customer support for assistance.
- **Inspection:** Periodically check for any loose connections or signs of wear. If any issues are found, turn off the power and consult a qualified electrician.

8. TROUBLESHOOTING

If you encounter any issues with your ceiling lamp, refer to the following troubleshooting guide:

Problem	Possible Cause	Solution
Light does not turn on	No power supply Loose wiring connection Faulty remote control	Check circuit breaker and wall switch. Ensure all wire connections are secure (power off first). Replace remote control batteries.
Light flickers or dims unexpectedly	Loose wiring Incompatible dimmer switch (if applicable) Power fluctuations	Check all wiring connections (power off first). Ensure any dimmer switch used is compatible with LED fixtures. Consult an electrician if power fluctuations are suspected.

Problem	Possible Cause	Solution
Remote control not working	Dead batteries Obstruction between remote and fixture Remote not paired (if required)	Replace batteries in the remote control. Ensure a clear line of sight to the fixture. Refer to remote control instructions for pairing procedures (if applicable).
Light color or brightness cannot be changed	Remote control issue Fixture malfunction	Check remote control batteries and functionality. If the remote works for other functions, the fixture may require professional inspection.

If the problem persists after attempting these solutions, please contact customer support.

9. WARRANTY AND SUPPORT

This TFCFL product is covered by a standard manufacturer's warranty against defects in materials and workmanship. The specific warranty period may vary. Please retain your proof of purchase for warranty claims.

Customer Support:

For technical assistance, warranty inquiries, or to report missing/damaged parts, please contact your retailer or the manufacturer directly. Please have your model number (B096KDPR3B) and purchase date available when contacting support.

- **Manufacturer:** TFCFL
- **Contact Information:** Refer to your purchase documentation or the manufacturer's official website for the most current contact details.