



[Manuals.plus](#) /

> [ChooChoo](#) /

> ChooChoo Floating TV Unit: Wall Mount Entertainment Center Media Console (Model B096FGCCYH)

## ChooChoo B096FGCCYH

# ChooChoo Floating TV Unit Instruction Manual

Model: B096FGCCYH

## 1. INTRODUCTION

---

Thank you for choosing the ChooChoo Floating TV Unit. This wall-mounted entertainment center is designed to provide a stylish and space-saving solution for your living room, bedroom, or home office. This manual contains important information regarding the assembly, installation, operation, and maintenance of your new unit. Please read it thoroughly before beginning assembly and retain it for future reference.

## 2. SAFETY INFORMATION

---

**WARNING: Failure to follow these safety instructions may result in injury or damage to the product.**

- Do not exceed the maximum weight limit of 8 kilograms (17.6 pounds) for the entire unit. Overloading can cause the unit to detach from the wall.
- Ensure the wall mounting surface is structurally sound and capable of supporting the unit's weight plus the weight of all items placed on it.
- Always mount the unit into wall studs when possible. If mounting into drywall without studs, use heavy-duty wall anchors specifically designed for your wall type and the unit's weight. The provided anchors may not be suitable for all wall types. Consult a professional if unsure.
- Keep all small parts and packaging materials away from children during assembly to prevent choking hazards.
- Assemble the unit on a soft, clean surface to prevent scratches.
- Periodically check all connections and mounting hardware to ensure they remain secure.

## 3. PACKAGE CONTENTS

---

Before assembly, verify that all components are present and undamaged. If any parts are missing or damaged, please contact customer support.

- Floating TV Unit Panels (Numbered)
- Assembly Hardware (Screws, dowels, cam locks, etc.)
- Mounting Hardware (Brackets, screws, wall anchors)
- Cable Management Grommet



**Figure 3.1: Unit Dimensions.** This diagram provides precise measurements of the floating TV unit, including its depth, width, and height, essential for planning installation and placement.

## 4. ASSEMBLY INSTRUCTIONS

Follow these steps carefully to assemble your ChooChoo Floating TV Unit. All parts are numbered for easy identification.

1. **Unpack and Identify Parts:** Lay out all panels and hardware on a clean, soft surface. Refer to the parts list to ensure everything is present.
2. **Assemble the Main Structure:** Connect the main horizontal panels and vertical dividers using the provided cam locks and dowels. Ensure all connections are tight and secure.
3. **Attach Side Panels:** Secure the side panels to the main structure.

4. **Install Cable Management Grommet:** Insert the cable management grommet into the designated hole on the top panel.
5. **Attach Mounting Brackets:** Secure the heavy-duty mounting brackets to the back of the assembled unit using the specified screws. Ensure they are firmly attached and correctly oriented for wall mounting.



**Figure 4.1: Assembled Unit.** This image illustrates the floating TV unit's versatility, serving as both a media console and a decorative shelf for small items like a potted plant and framed photographs.

## 5. INSTALLATION INSTRUCTIONS (WALL MOUNTING)

Proper wall mounting is crucial for the stability and safety of your floating TV unit. Please read these instructions carefully.

1. **Choose Location:** Select a suitable wall location, considering the height of your television and the desired viewing experience. Mark the desired height for the top of the unit.
2. **Locate Wall Studs:** Use a stud finder to locate wall studs. Mounting into studs provides the most secure installation. Mark the stud locations.
3. **Mark Pilot Holes:** Hold the assembled unit against the wall at the desired height and use a level to ensure it is straight. Mark the positions for the mounting screws through the bracket holes onto the wall.

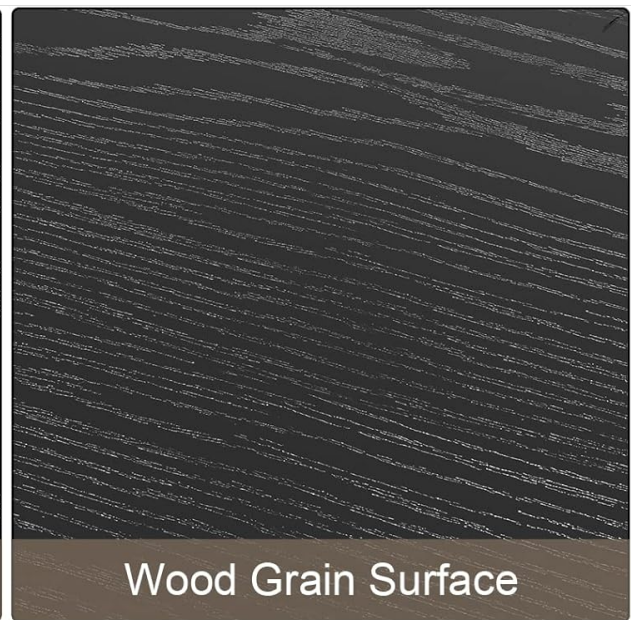
4. **Drill Pilot Holes:** Drill pilot holes at the marked locations. If mounting into studs, use a drill bit appropriate for the screw size. If mounting into drywall without studs, drill holes for your chosen heavy-duty wall anchors and install the anchors according to their manufacturer's instructions.
5. **Mount the Unit:** Align the mounting brackets on the back of the unit with the pilot holes/anchors. Insert and tighten the mounting screws until the unit is firmly secured to the wall. Do not overtighten.
6. **Verify Stability:** Gently pull down on the unit to ensure it is securely attached to the wall and does not wobble.



**Figure 5.1: Mounted Unit.** This image displays the ChooChoo Floating TV Unit installed beneath a wall-mounted television, highlighting the unit's sleek, space-saving design and integrated cable management.



Cable Management Hole



Wood Grain Surface



Heavy Duty Bracket



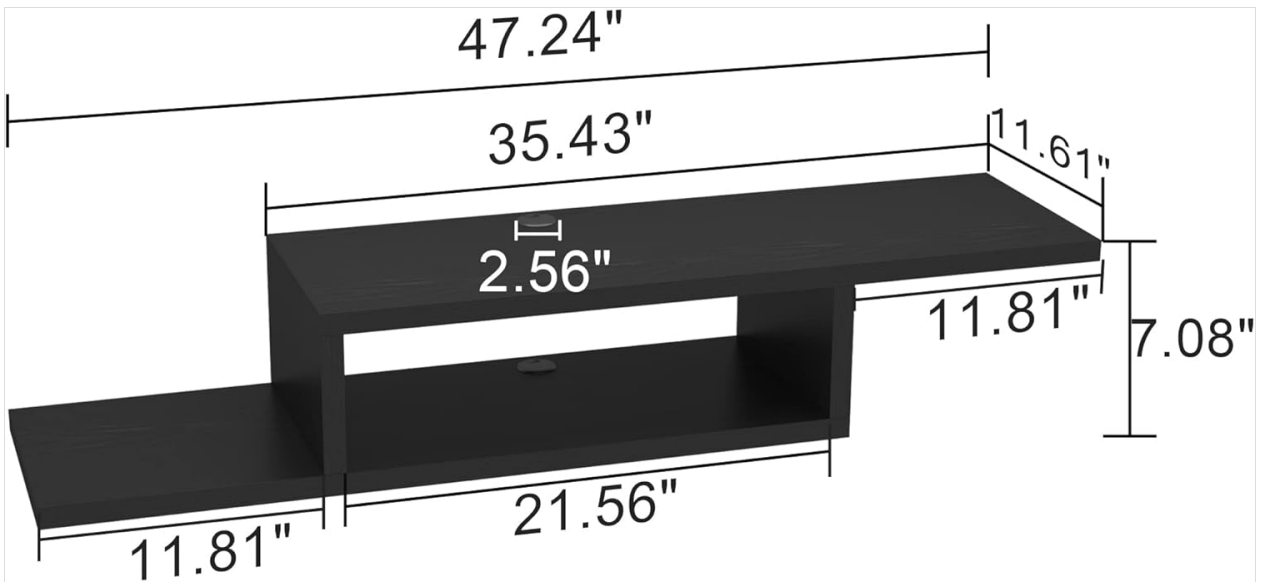
Side Storage

**Figure 5.2: Mounting Bracket Detail.** A close-up showcasing the unit's construction and design elements, such as the cable management solution, the aesthetic wood grain, and the robust mounting bracket.

## 6. OPERATING INSTRUCTIONS

Once installed, your ChooChoo Floating TV Unit is ready for use.

- **Placement of Devices:** Place your electronic devices such as routers, set-top boxes, DVD players, or gaming consoles in the designated compartments. Ensure devices do not block ventilation.
- **Cable Management:** Utilize the integrated wire holes to route cables neatly, keeping your entertainment area organized and free from clutter.
- **Decorative Use:** The flat surfaces can be used to display small decorative items, plants, or framed pictures. Remember to adhere to the maximum weight limit.



**Figure 6.1: Unit with Devices.** A detailed view of the floating TV unit, showing how it accommodates electronic devices like a gaming console and provides storage for media, with cables neatly routed through the integrated management system.



**Figure 6.2: Cable Management and Features.** This composite image highlights key features: a circular cable management hole for organization, the textured wood grain finish, a heavy-duty mounting bracket for secure installation, and the practical side storage area.

## 7. MAINTENANCE AND CARE

---

To ensure the longevity and appearance of your ChooChoo Floating TV Unit, follow these simple care instructions:

- **Cleaning:** Wipe the unit with a dry, soft cloth. Avoid using harsh chemicals, abrasive cleaners, or excessive moisture, as these can damage the finish.
- **Spills:** Immediately wipe up any spills to prevent staining or damage to the MDF material.
- **Inspection:** Periodically inspect the mounting hardware and all connections to ensure they remain tight and secure. Retighten screws if necessary.
- **Sunlight Exposure:** Avoid prolonged exposure to direct sunlight, which can cause fading or discoloration over time.

## 8. TROUBLESHOOTING

---

If you encounter any issues with your ChooChoo Floating TV Unit, consider the following:

- **Unit feels unstable after mounting:**
  - Ensure all mounting screws are fully tightened.
  - Verify that the unit is mounted into wall studs. If not, ensure heavy-duty wall anchors appropriate for the weight and wall type were used and installed correctly.
  - Check that the total weight on the unit does not exceed 8 kilograms (17.6 pounds).
- **Unit does not sit flush against the wall:**
  - Re-check the mounting hardware and ensure no obstructions are behind the unit.
  - Ensure the mounting brackets are installed correctly and are not bent or damaged.
- **Difficulty with assembly:**
  - Refer back to the assembly instructions and ensure all numbered parts are correctly identified and connected.
  - Do not force parts together. If a part does not fit, re-examine the instructions.

## 9. SPECIFICATIONS

---

Feature	Detail
Brand	ChooChoo
Model Number	B096FGCCYH
Product Dimensions	11.61"D x 47.24"W x 7.08"H (29.5cm D x 120cm W x 18cm H)
Item Weight	8.91 Kilograms (19.61 pounds)
Weight Limit	8 Kilograms (17.6 pounds)
Material	High-density MDF
Finish Type	Wood Grain

Feature	Detail
Number of Shelves	2
Installation Type	Wall Mount
Assembly Required	Yes
Special Feature	Cable Management Hole, Sturdy Construction

## 10. WARRANTY AND SUPPORT

---

For warranty information or customer support, please refer to the documentation included with your purchase or contact ChooChoo customer service directly through their official channels. If you have any questions regarding assembly, installation, or product functionality, do not hesitate to reach out for assistance.

**Manufacturer:** ChooChoo

**Contact:** Refer to your purchase receipt or the ChooChoo brand store on Amazon for current contact information.