



Manuals.plus /

› Nexillumi /

› Nexillumi 180W 2-Pack Deformable LED Garage Light Instruction Manual

Nexillumi Led Garage Light

Nexillumi 180W 2-Pack Deformable LED Garage Light Instruction Manual

Model: Led Garage Light | Brand: Nexillumi

1. INTRODUCTION

Thank you for choosing the Nexillumi 180W 2-Pack Deformable LED Garage Light. This manual provides essential information for the safe and efficient installation, operation, and maintenance of your new lighting system. Please read these instructions thoroughly before use and retain them for future reference.

2. SAFETY INSTRUCTIONS

- **Electrical Safety:** Ensure the power supply is turned off at the circuit breaker before installation or maintenance to prevent electric shock.
- **Proper Socket:** This light is designed for standard E26/E27 sockets. Do not attempt to install it in incompatible sockets.
- **Indoor Use Only:** This product is intended for indoor use in dry locations such as garages, workshops, attics, and basements. It is not water-resistant.
- **Avoid Direct Eye Exposure:** The LED lights are very bright. Avoid looking directly into the light source when it is illuminated to prevent eye strain or damage.
- **Heat Dissipation:** Do not cover the light fixture or obstruct its ventilation holes, as this can lead to overheating and reduce lifespan.
- **Weight Consideration:** The light fixture has a certain weight. Ensure your existing light fixture or socket can safely support the weight of the LED garage light.

3. PACKAGE CONTENTS

Upon opening your package, you should find the following items:

- 2 x Nexillumi 180W Deformable LED Garage Lights
- 1 x User Manual



Image 1: Contents of the Nexillumi 2-Pack LED Garage Light package.

4. PRODUCT FEATURES

The Nexillumi 180W Deformable LED Garage Light offers advanced features for superior illumination:

- **High Brightness:** Each light features 363 LED chips, delivering up to 18000 lumens of 6000K daylight white light, suitable for spaces up to 20x20 ft.
- **Deformable Design:** Equipped with 10+1 adjustable panels, allowing for flexible light direction and wider coverage. Panels can be folded for compact storage or adjusted to illuminate specific areas.
- **Efficient Heat Dissipation:** The design incorporates hollowed-out panels and internal aluminum heat sinks across 11 areas to effectively disperse heat, extending the lifespan of the LED beads to approximately 50,000 hours.
- **Easy Installation:** Designed to screw into any standard E26/E27 socket, requiring no special tools or professional electrician.

10+1 Deformable Garage Lights

Upgraded

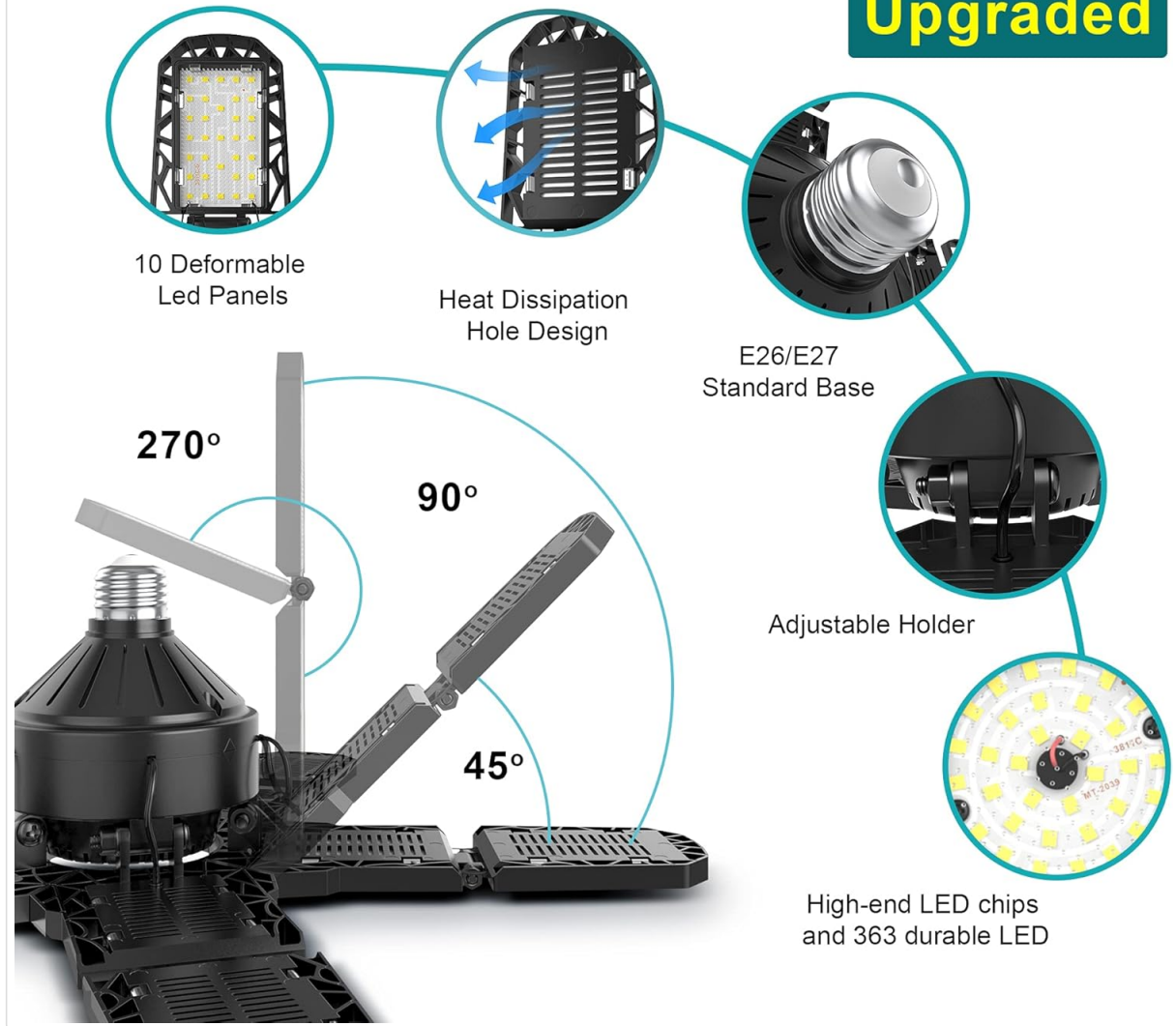


Image 2: Detailed view of the light's adjustable panels and E26/E27 base.

Efficient Heat Dissipation

The excellent cooling system can guarantee a lifespan of 50000 hours

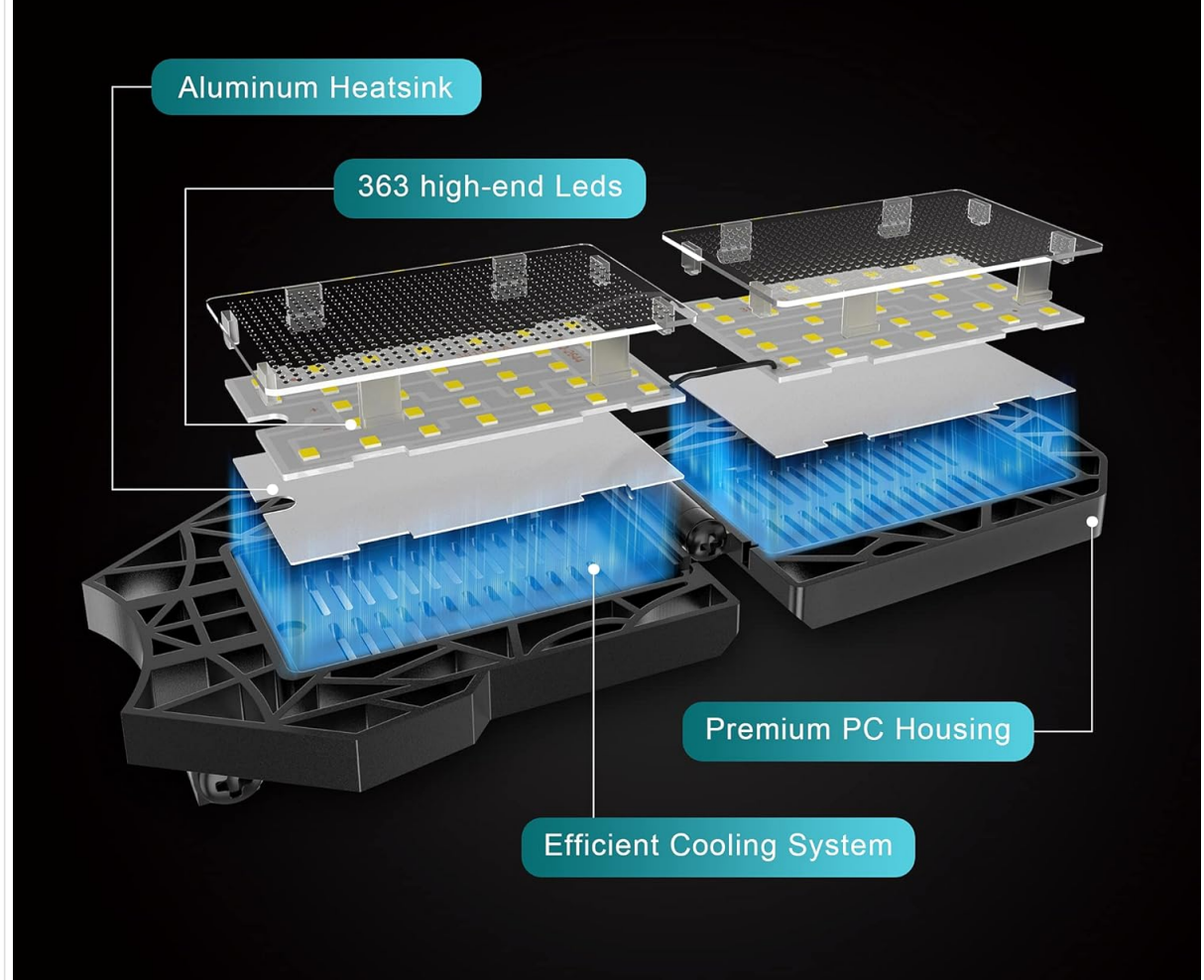


Image 3: Illustration of the efficient heat dissipation system.

5. SPECIFICATIONS

Brand	Nexillumi
Model Name	Garage Lights Ceiling LED
Wattage	180 Watts
Brightness	18000 Lumens
Color Temperature	6000 Kelvin (Daylight White)
LED Beads	363 pcs
Bulb Base	E26/E27
Adjustable Angles	Inner (0°-90°), Outer (0°-270°)
Product Dimensions	16.5"L x 16.5"W x 4.5"H
Item Weight	1.49 Pounds (per light)
Lifespan	Up to 50,000 hours

GARAGE LIGHT SPECIFICATIONS

 **Wattage** 180W

 **Voltage** AC85-265V

 **Brightness** 18000LM

 **Color Temperature** 6000K White

 **LED Beads** 363pcs

 **Base Type** E26/E27

 **Adjustable Angles** Inner(0°-90°)
Outer(0°-270°)

 **Weight** 2*1.49lb

 **Package** 2*Led Garage Light

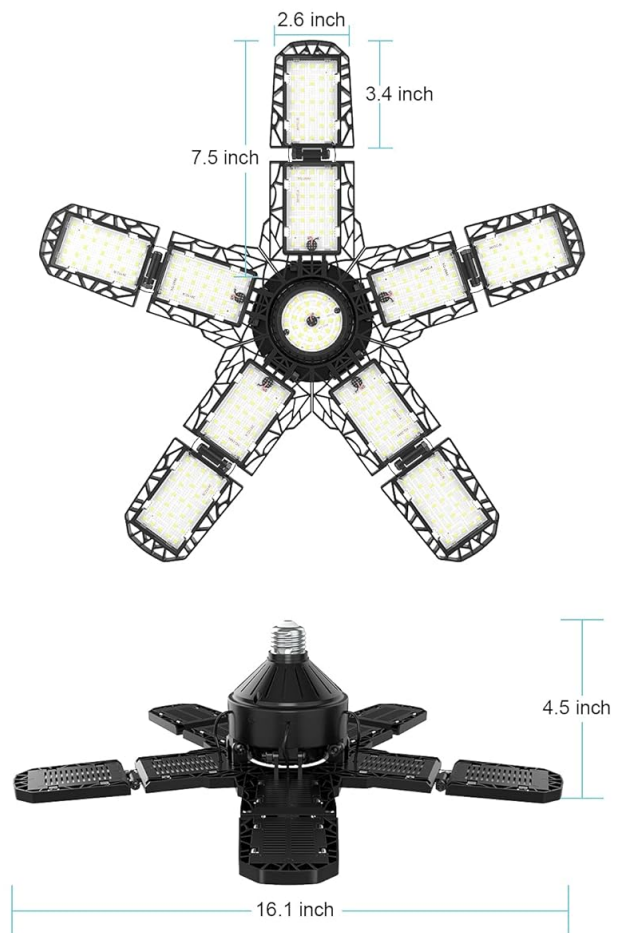


Image 4: Visual summary of product specifications.

6. SETUP

Installation of the Nexillumi LED Garage Light is straightforward and requires no special tools:

1. **Power Off:** Before beginning, ensure the power to the light fixture is turned off at the main circuit breaker to prevent electrical hazards.
2. **Unpack:** Carefully remove the LED garage light from its packaging.
3. **Screw In:** Screw the LED garage light into any standard E26 or E27 light socket. Turn clockwise until it is securely tightened. Do not overtighten.
4. **Adjust Panels:** Once installed, you can gently adjust the 10+1 LED panels to direct light to your desired areas. The panels are designed to be flexible.
5. **Restore Power:** Turn the power back on at the circuit breaker.



Image 5: Simple screw-in installation process.

Your browser does not support the video tag.

Video 1: Demonstration of the Nexillumi LED Garage Light's brightness and adjustability in a garage setting.

7. OPERATING INSTRUCTIONS

The Nexillumi LED Garage Light operates like a standard light bulb:

- **Turning On/Off:** Use your existing light switch to turn the light on or off.
- **Adjusting Light Direction:** Gently move the individual LED panels to direct light where it is most needed. The panels can be angled up to 270 degrees for outer panels and 90 degrees for inner panels.

Durable Deformable Panels

The 10-leaf garage lights can be adjustable to get lights directions you need

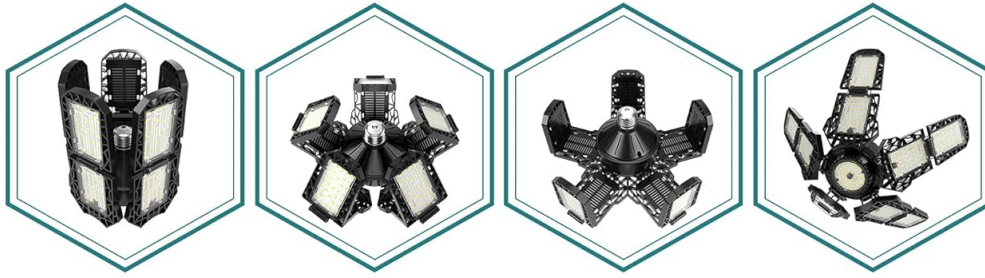


Image 6: Examples of adjustable panel configurations.

Your browser does not support the video tag.

Video 2: A user demonstrating the light's features and how it illuminates a garage space.

8. MAINTENANCE

To ensure optimal performance and longevity of your Nexillumi LED Garage Light:

- **Cleaning:** Disconnect power before cleaning. Use a soft, dry cloth to wipe the light fixture. Do not use abrasive cleaners or solvents.
- **Inspection:** Periodically check the light for any signs of damage or loose connections. If any issues are found, discontinue use and contact customer support.
- **Avoid Harsh Environments:** Do not expose the light to extreme temperatures, high humidity, or corrosive substances.

9. TROUBLESHOOTING

If you encounter any issues with your Nexillumi LED Garage Light, refer to the following troubleshooting guide:

Problem	Possible Cause	Solution
Light does not turn on	No power to the socket; Loose connection; Faulty light fixture	Check circuit breaker and light switch. Ensure the light is screwed in tightly. If issues persist, contact customer support.
Light flickers	Unstable power supply; Loose connection; Incompatible dimmer switch (if applicable)	Verify stable power. Tighten the light in the socket. This light is not designed for dimmer switches.
Reduced brightness	Dust accumulation; Overheating	Clean the light panels. Ensure proper ventilation around the fixture.

10. WARRANTY AND SUPPORT

Your Nexillumi 180W 2-Pack Deformable LED Garage Light comes with a **12-month warranty**. For any questions, issues, or warranty claims, please contact Nexillumi customer service. Our expert team is available to assist you.

For further assistance, please visit our official website or contact our support team through the details provided on your purchase receipt or product packaging.