

Franke 115.0600.095

FRANKE 115.0600.095 Centro Kitchen Faucet Instruction Manual

INTRODUCTION

This manual provides detailed instructions for the installation, operation, and maintenance of your FRANKE 115.0600.095 Centro Kitchen Faucet. Please read this manual thoroughly before installation and use to ensure proper function and longevity of the product. Keep this manual for future reference.

SAFETY INFORMATION

Important: Always turn off the main water supply before beginning any installation or maintenance work on the faucet. It is recommended that installation be performed by a qualified plumber to ensure compliance with local plumbing codes and safety standards. Use appropriate tools and wear protective gear during installation.

- Ensure all connections are secure to prevent leaks.
- Do not overtighten connections, as this may damage components.
- Protect the faucet's chrome finish from abrasive materials or harsh chemicals.

PACKAGE CONTENTS

Verify that all components are present before beginning installation:

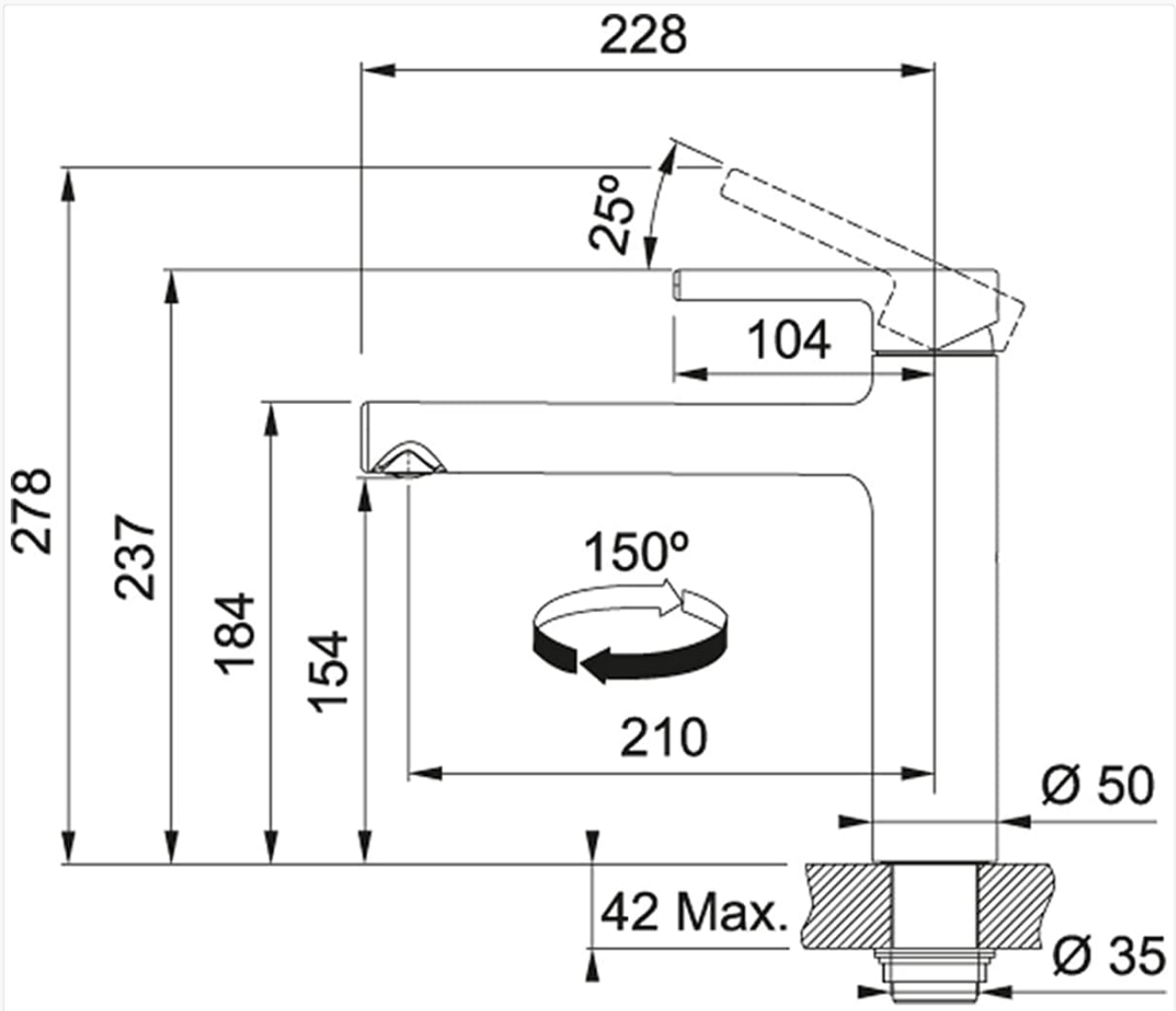
- FRANKE 115.0600.095 Centro Kitchen Faucet
- Mounting hardware
- Connection hoses

SETUP AND INSTALLATION

The FRANKE 115.0600.095 Centro Kitchen Faucet is designed for deck mounting with a single hole installation.

Follow these general steps for installation:

1. **Prepare the Mounting Surface:** Ensure the sink or countertop has a mounting hole with a diameter of $\text{Ø}35$ mm. The maximum deck thickness should be considered for proper installation.
2. **Install the Faucet:** Insert the faucet body into the mounting hole. Secure it from underneath the sink using the provided mounting hardware (washer and nut). Ensure the faucet is oriented correctly before fully tightening.
3. **Connect Water Lines:** Attach the hot and cold water supply lines to the corresponding inlets on the faucet. Connect the other ends to your hot and cold water supply valves. Hand-tighten first, then use a wrench for a quarter turn to ensure a leak-free seal.
4. **Check for Leaks:** Once all connections are made, slowly turn on the main water supply. Check all connections for any signs of leaks. If leaks are detected, tighten the connections slightly until the leak stops.



A detailed technical diagram providing all necessary measurements and installation specifications for the faucet. Note the $\text{Ø}35$ mm mounting hole and 150° spout rotation.

OPERATING INSTRUCTIONS

The FRANKE 115.0600.095 Centro Kitchen Faucet features a single mixer lever positioned at the top for easy control of water flow and temperature. The spout has a fixed position but offers a 150° rotation for convenience.

- **Water Flow and Temperature Control:** Move the lever upwards to increase water flow and downwards to decrease it. Move the lever left for hot water and right for cold water.
- **Water Saving Technology:** This faucet incorporates a two-stage flow reduction system. When opening the

lever, it will initially stop at a halfway point, naturally limiting water flow to reduce consumption by up to 50%. For a full flow, simply push the lever further upwards past this resistance point.

- **Laminar Jet:** The special design of the aerator provides a compact and crystal-clear water stream, significantly reducing splashing during use.
- **Spout Rotation:** The faucet spout can be rotated up to 150 degrees, allowing for flexible use across different sink bowls or areas.



The faucet is shown installed in a kitchen environment, highlighting its design and functionality in a typical setting.



This image displays a detailed view of the faucet's aerator, which produces a compact and splash-reducing laminar water stream.

MAINTENANCE AND CARE

To maintain the appearance and functionality of your FRANKE 115.0600.095 Centro Kitchen Faucet, follow these care guidelines:

- **Cleaning the Finish:** Clean the chrome finish regularly with a soft cloth and mild soap or a non-abrasive cleaner specifically designed for chrome. Rinse thoroughly with clean water and dry with a soft cloth to prevent water spots.
- **Avoid Harsh Chemicals:** Do not use abrasive cleaners, scouring pads, ammonia-based cleaners, or cleaners containing bleach, acids, or alcohol, as these can damage the chrome finish and internal components.
- **Aerator Cleaning:** If water flow becomes restricted, the aerator may be clogged with mineral deposits. Unscrew the aerator from the spout, clean it under running water, and remove any debris. Reassemble the aerator securely.

TROUBLESHOOTING

If you encounter issues with your faucet, refer to the following common problems and solutions:

Problem	Possible Cause	Solution
Low water flow	Clogged aerator or partially closed supply valve.	Clean the aerator (see Maintenance section). Ensure water supply valves are fully open.
Leaks from connections	Loose connections or damaged seals.	Turn off water supply. Carefully tighten connections. Inspect and replace seals if damaged.

Problem	Possible Cause	Solution
Dripping from spout	Worn ceramic cartridge.	Contact Franke customer support for a replacement ceramic cartridge.

SPECIFICATIONS

- **Model Number:** 115.0600.095
- **Type:** High-pressure mixer faucet
- **Finish:** Chrome
- **Cartridge:** Ceramic cartridge Ø 35 mm
- **Mixer Lever Position:** Top
- **Spout Rotation:** 150°
- **Mounting Hole Diameter:** Ø35 mm
- **Spout Type:** Fixed spout
- **Material (Handle/Lever):** Ceramic
- **Product Dimensions:** 23.7 x 25.3 x 5 cm (approximate)
- **Item Weight:** 2.33 kg
- **Special Features:** Water Saving Technology, Laminar Jet

WARRANTY AND SUPPORT

For warranty information or technical support, please refer to the documentation provided with your purchase or visit the official Franke website. Contact Franke customer service for assistance with parts, service, or any questions not covered in this manual.

