

[Manuals.plus](#) /

> [A-BENET](#) /

> BENET 7 inch Touch Screen Digitizer for Toyota JBL Navigation LQ070T5GA01 Made by Denso Instruction Manual

A-BENET

BENET 7 inch Touch Screen Digitizer

For Toyota JBL Navigation Systems (LQ070T5GA01)

1. INTRODUCTION

This document serves as an informational guide for the BENET 7 inch Touch Screen Digitizer. This product is a replacement touch panel designed to restore functionality to compatible Toyota JBL Navigation systems that may be experiencing issues such as unresponsiveness to touch commands, scratches, cracks, dead pixels, or degradation of the polarized protection layer. It is important to note that this product is a touch panel only and does not include an LCD display.

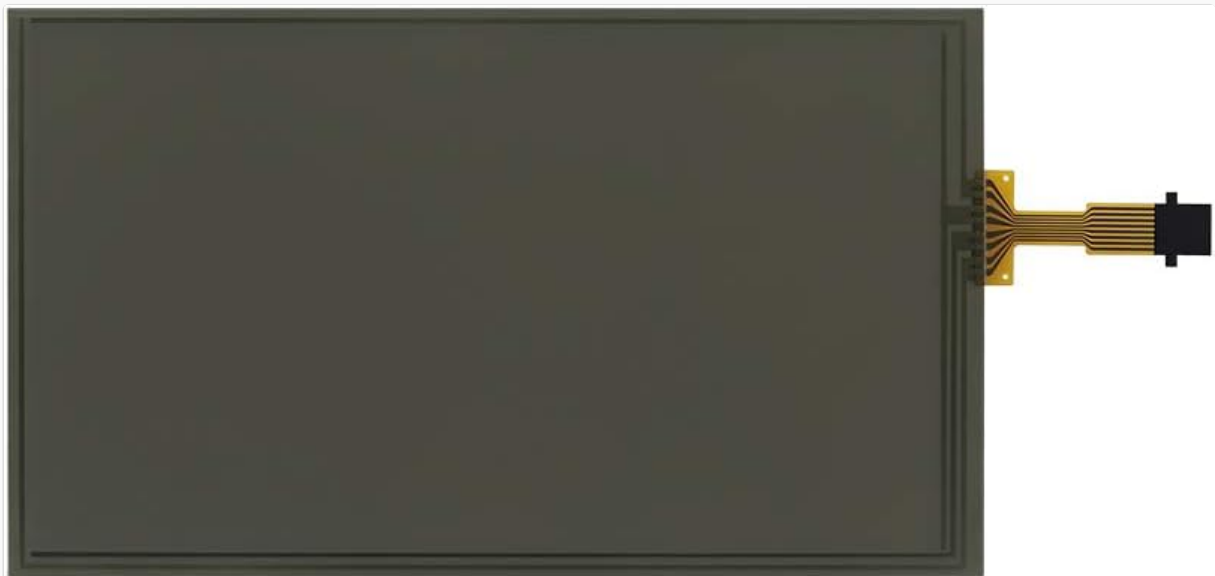


Image 1.1: The BENET 7 inch Touch Screen Digitizer, showing its rectangular form factor and integrated ribbon cable connector.

2. COMPATIBILITY

The BENET 7 inch Touch Screen Digitizer is compatible with specific Toyota JBL Navigation systems manufactured by Denso. Please verify your vehicle model and the existing screen's part numbers before

purchase to ensure compatibility.

2.1 Compatible Toyota Vehicles:

- Sienna (2011-2014)
- Sequoia (2008-2012) - *Note: Will not work on 2013 and newer Sequoia models.*
- Tundra (2008-2013)
- Camry (2007-2009)
- Venza (2009-2012)
- 4 Runner (2010-2013)
- Prius (2010-2011)
- Highlander (2008-2014) - *Note: Will not fit for 8 inch navigation screens of Highlander.*

2.2 Compatible Screen Part Numbers:

- LQ070T5GC01
- LQ070T5GA01
- LQ0DA52115
- LQ0DAS1387

2.3 Compatible Toyota Part Numbers:

- 86120-0C330, 86120-0C220, 86120-0C230, 86120-06390, 86120-33A10, 86120-06510, 86140-0T061, 86120-35530, 86120-48M70, 86120-08250, 86120-47390
- E7011, E7012, E7021, E7022, E7024, E7026, E7027, E7028

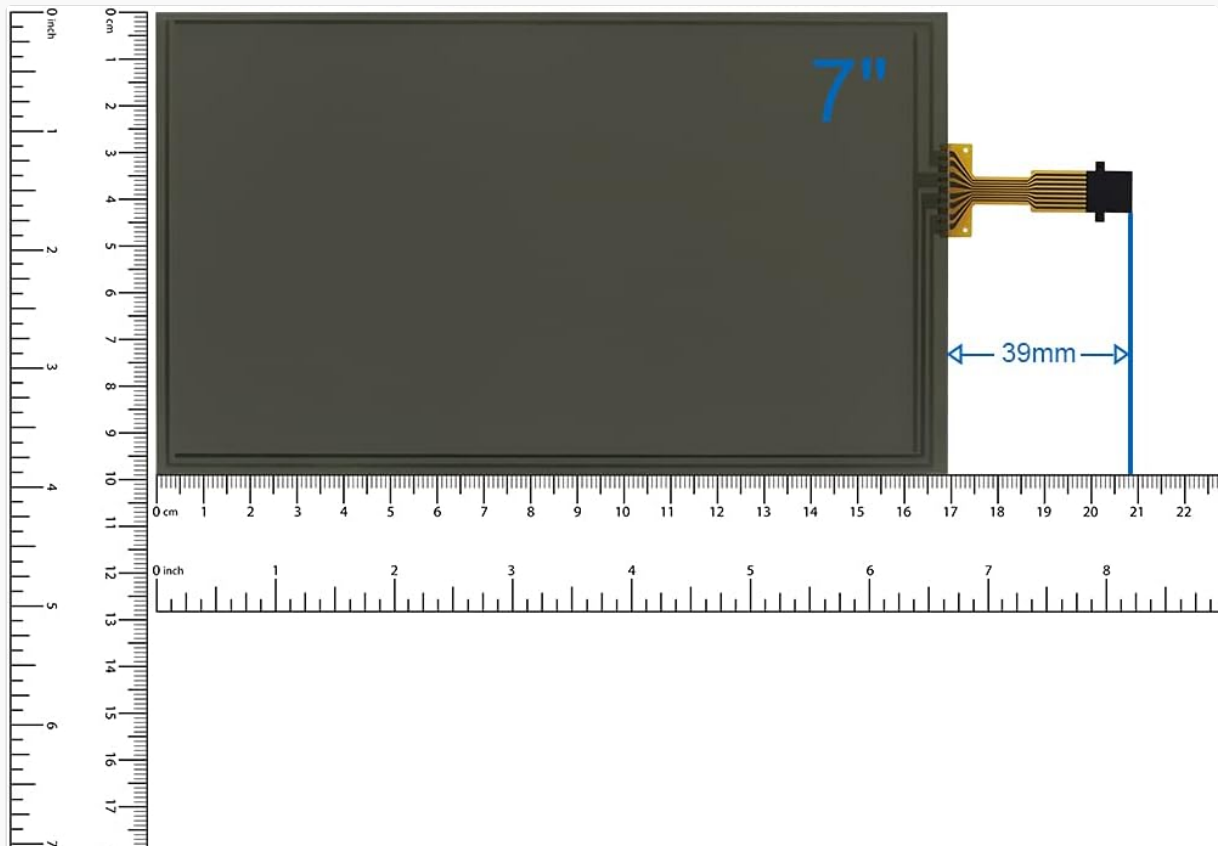


Image 2.1: Example of a Toyota dashboard with an integrated navigation screen, similar to those compatible with this digitizer.

3. SPECIFICATIONS

Feature	Specification
Screen Size	7 inch (169 x 99mm)
Interface Type	8-Pin Ribbon Cable
Thickness	1.5mm
Main Material	Glass
Working Voltage	5V
Item Weight	5.6 ounces
Package Dimensions	8.46 x 6.1 x 0.79 inches
Manufacturer Part Number	US-ABT-TCP-036-1

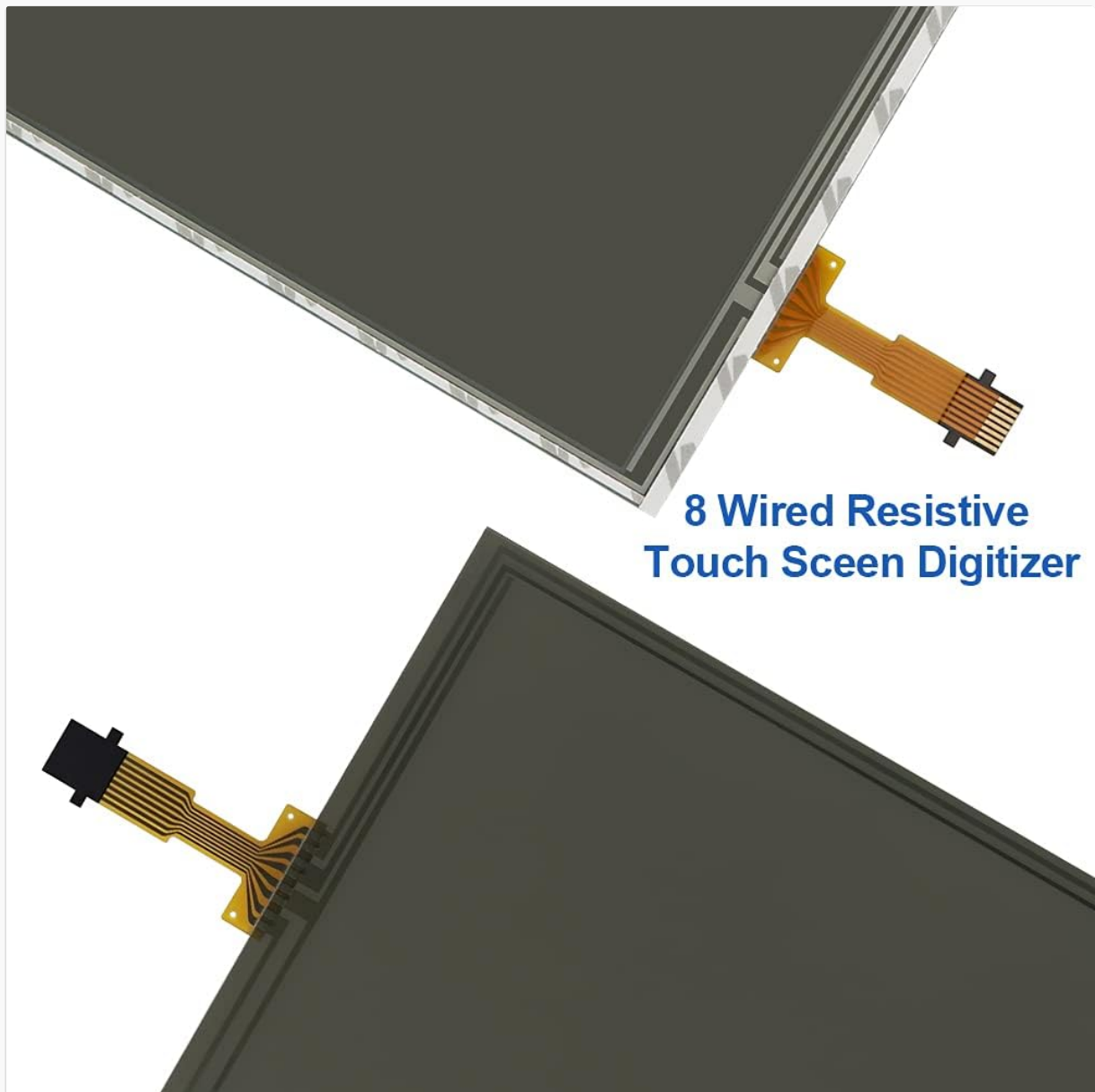


Image 3.1: The 7 inch digitizer shown with a ruler, indicating its dimensions (169x99mm) and the 39mm length of the ribbon cable from the edge of the screen.



Image 3.2: A close-up view of the digitizer's 8-pin ribbon cable interface, which connects the touch panel to the navigation unit's electronics.

4. SETUP AND INSTALLATION

Important: Installation instructions are NOT included with this product. Specialized tools are NOT included. Professional installation is highly recommended due to the delicate nature of electronic components and the complexity of vehicle dashboard disassembly.

4.1 Pre-Installation Checks:

- Before beginning installation, carefully compare the exact dimensions of this touch screen digitizer with your existing unit to ensure a precise fit.
- Verify that the cable interface of the touch screen is indeed an 8-pin configuration, matching your vehicle's requirements.

4.2 Installation Considerations:

- The digitizer is a sensitive glass component. Handle with extreme care to prevent damage.
- Ensure the vehicle's power is disconnected from the navigation unit before attempting any removal or installation.
- A protective film is present on the surface of the new touch panel. This film must be carefully removed before the digitizer is fully installed and used.

5. OPERATION

The BENET 7 inch Touch Screen Digitizer functions as the primary input interface for your Toyota JBL Navigation system. Once correctly installed, it restores the touch-sensitive capabilities of the screen, allowing users to interact with the navigation system's interface through direct touch commands. This includes navigating menus, inputting destinations, and controlling various functions that rely on touch input.

6. MAINTENANCE

To ensure the longevity and optimal performance of your new touch screen digitizer, follow these general maintenance guidelines:

- **Cleaning:** Use a soft, lint-free cloth (e.g., microfiber) slightly dampened with water or a screen-specific cleaning solution. Avoid harsh chemicals, abrasive materials, or excessive moisture, which can damage the screen surface or internal components.
- **Protection:** Avoid applying excessive pressure to the screen. Do not use sharp objects or tools directly on the screen surface, as this can cause scratches or cracks.
- **Temperature:** Avoid exposing the screen to extreme temperatures, which can affect its performance and lifespan.

7. TROUBLESHOOTING

This digitizer is designed to address common issues related to the touch functionality of your navigation screen. If you experience any of the following problems after installation, the digitizer is intended to provide a resolution:

- **Loss of Response to Touch Commands:** If the screen does not register touches or responds intermittently.
- **Scratches or Cracks:** Visible damage to the touch surface that impairs functionality or visibility.
- **Dead Pixels:** While primarily an LCD issue, sometimes touch layer damage can manifest as unresponsive areas.
- **Polarized Protection Wearing Off:** Degradation of the screen's protective layers affecting clarity or touch sensitivity.

If issues persist after careful installation and verification of compatibility, it is recommended to re-check all connections or consult with a professional automotive electronics technician.

8. PACKAGE CONTENTS

The package includes:

- 1 x BENET 7 inch Touch Screen Digitizer for Toyota JBL Navigation (Made by Denso, 08-14 compatible models)

9. SUPPORT AND CONTACT

If you have any questions or encounter problems with the product, please feel free to contact the seller through the platform where the purchase was made. Provide your order details and a clear description of the issue for efficient assistance.

10. WARRANTY INFORMATION

Specific warranty details for this product are not provided in the available information. Please refer to the seller's return policy or contact the seller directly for any warranty-related inquiries.

© 2024 A-BENET. All rights reserved.