



Manuals.plus /

› Audinell /

› PerfectDry Q.R. 45 min. Ultra Fast Hearing Aid Dryer & Dehumidifier Accessory Instruction Manual

Audinell PerfectDry Q.R.

PerfectDry Q.R. Hearing Aid Dryer & Dehumidifier Instruction Manual

Model: PerfectDry Q.R. | Brand: Audinell

1. INTRODUCTION

The PerfectDry Q.R. is an advanced electronic dehumidifier designed to effectively remove sweat and moisture from hearing aids, AirPods, wireless earbuds, ear amplifiers, and cochlear implants. Utilizing a proprietary pulsed hot air dehumidification system and controlled ventilation, it ensures optimal drying in a rapid 45-minute cycle. This device helps prolong the life and improve the performance of your listening devices by preventing moisture-related damage.



Figure 1: PerfectDry Q.R. device with lid closed.

This image shows the compact, white PerfectDry Q.R. device with its lid closed, featuring a single circular button on the front.

2. SAFETY INFORMATION

Please read all safety instructions carefully before using the PerfectDry Q.R. device.

- **Temperature Regulation:** The device features automatic temperature regulation, limiting the maximum temperature to 113°F (45°C). This ensures safe use with all types of hearing aids, including rechargeable models, and other sensitive electronic devices. Do not attempt to bypass or alter this temperature control.
- **Power Source:** Use only the provided power adapter. Ensure the power outlet matches the voltage requirements specified on the adapter.
- **Placement:** Place the device on a stable, flat, and dry surface. Avoid placing it near water, in direct sunlight, or in excessively humid environments.
- **Ventilation:** Ensure the ventilation openings are not blocked during operation to allow for proper airflow.
- **Children and Pets:** Keep the device out of reach of children and pets.

- **Cleaning:** Disconnect the device from the power source before cleaning. Use a soft, dry cloth. Do not use liquid cleaners or immerse the device in water.
- **Damage:** Do not use the device if it appears damaged or is not functioning correctly. Contact customer support for assistance.

3. PRODUCT COMPONENTS

The PerfectDry Q.R. unit consists of the following main components:

- **Drying Chamber:** The internal compartment where devices are placed for drying. It is spacious enough to accommodate two behind-the-ear (BTE) hearing aids, two in-the-ear (ITE) hearing aids, or two cochlear implants.
- **Lid:** Covers the drying chamber. Must be closed during operation.
- **Start/Stop Button:** A single button on the front of the device to initiate and stop the drying cycle.
- **Power Port:** Located at the back of the unit for connecting the power adapter.
- **Power Adapter:** External power supply unit.



Figure 2: PerfectDry Q.R. with lid open, showing the drying chamber.

This image displays the PerfectDry Q.R. with its lid open, revealing the internal drying chamber designed to hold two hearing aids, shown here with two blue in-ear devices.

4. SETUP

1. **Unpack:** Carefully remove the PerfectDry Q.R. device and its power adapter from the packaging.
2. **Placement:** Choose a clean, dry, and stable surface for the device, away from direct heat sources or water.
3. **Connect Power:** Insert the small end of the power adapter cable into the power port at the back of the PerfectDry Q.R. unit. Plug the other end of the power adapter into a standard electrical outlet.
4. **Initial Check:** Once plugged in, the device may show a small indicator light, signifying it is ready for operation.

5. OPERATING INSTRUCTIONS

The PerfectDry Q.R. is designed for simple and efficient operation.

1. **Prepare Devices:** Before placing your hearing aids or other devices into the dryer, ensure they are clean and free of any visible debris. For hearing aids with removable batteries, it is recommended to open the battery compartment door to allow for better air circulation during the drying process. For rechargeable devices, ensure they are not actively charging while in the dryer.
2. **Place Devices:** Open the lid of the PerfectDry Q.R. and carefully place your hearing aids, AirPods, or other compatible devices into the drying chamber. Ensure they are positioned to allow air to circulate around them. The chamber can accommodate up to two devices.



Figure 3: Placing a Behind-The-Ear (BTE) hearing aid in the drying chamber.

This image shows a BTE hearing aid placed inside the open PerfectDry Q.R. drying chamber, demonstrating how it fits comfortably.



Figure 4: Placing a cochlear implant in the drying chamber.

This image illustrates a cochlear implant positioned within the open PerfectDry Q.R. drying chamber, highlighting its compatibility with various devices.

3. **Close Lid:** Gently close the lid of the PerfectDry Q.R. Ensure it is fully closed to allow the drying cycle to begin.
4. **Start Cycle:** Press the circular Start/Stop button on the front of the device. An indicator light will illuminate, signifying that the drying cycle has begun. The cycle duration is approximately 45 minutes.
5. **Automatic Shut-off:** The device will automatically shut off after the 45-minute cycle is complete. The indicator light will turn off.
6. **Remove Devices:** Once the cycle is complete and the device has cooled slightly, open the lid and remove your dry devices.

For best results, it is recommended to use the PerfectDry Q.R. daily.

- Pulsed hot air dehumidification system for an optimized, even flow
- Automatic temperature regulation
- Controlled ventilation system

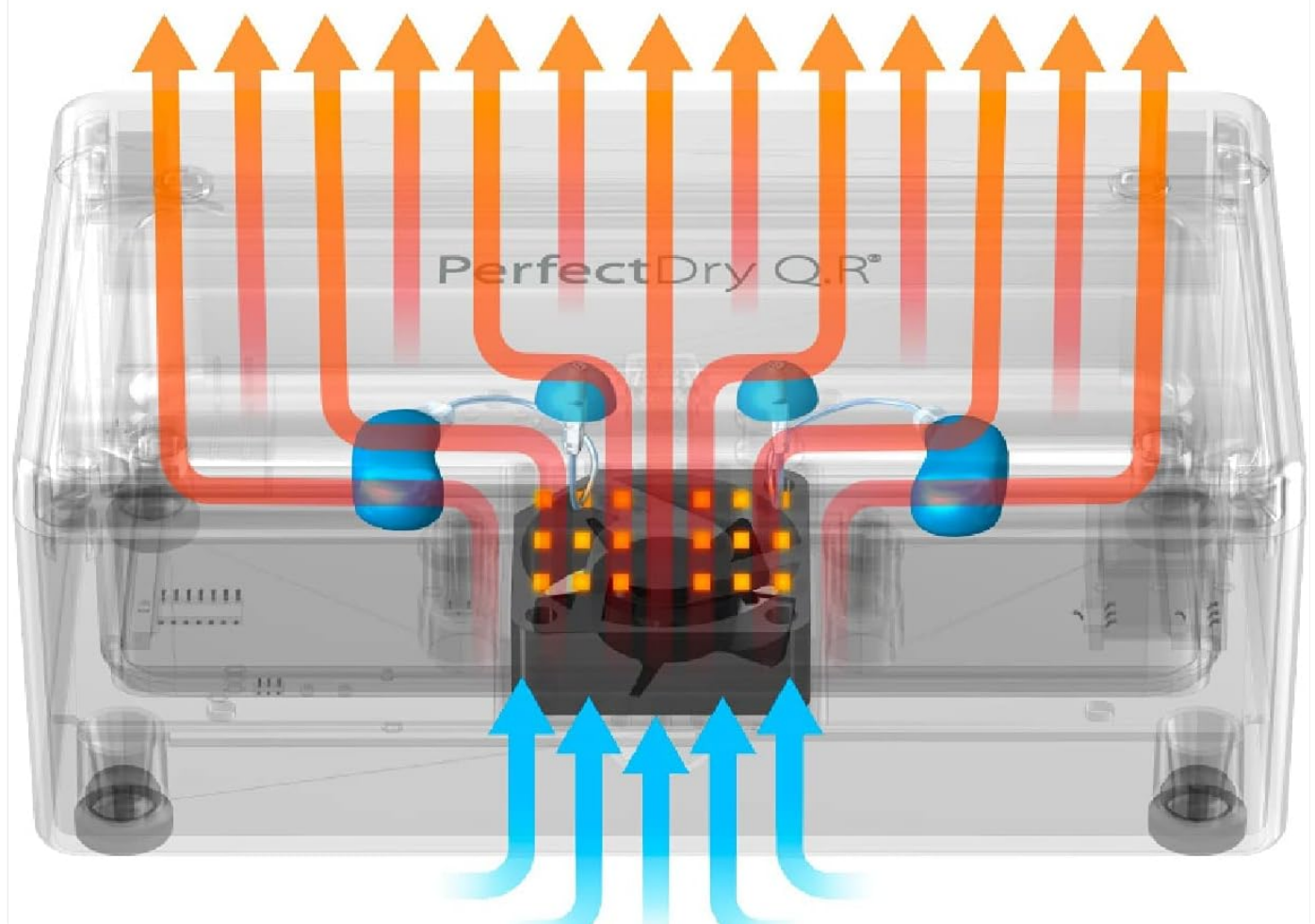


Figure 5: Internal airflow and dehumidification system.

This diagram illustrates the pulsed hot air dehumidification system and controlled ventilation within the PerfectDry Q.R., showing how air circulates to effectively dry devices.

6. MAINTENANCE AND CARE

Proper maintenance ensures the longevity and optimal performance of your PerfectDry Q.R. device.

- **Cleaning the Exterior:** Disconnect the device from the power outlet. Use a soft, dry, lint-free cloth to wipe the exterior surfaces. Do not use abrasive cleaners, solvents, or harsh chemicals.
- **Cleaning the Interior:** Periodically inspect the drying chamber for any dust or debris. Use a soft brush or a dry cloth to gently clean the interior. Do not use water or liquid cleaners inside the chamber.
- **Storage:** When not in use for extended periods, store the device in a cool, dry place, away from direct sunlight and

extreme temperatures.

- **Avoid Obstructions:** Ensure that the air vents (if visible) are not blocked by dust or other objects.

7. TROUBLESHOOTING

If you encounter issues with your PerfectDry Q.R., refer to the following common problems and solutions:

Problem	Possible Cause	Solution
Device does not turn on.	Not plugged in; power outlet issue; faulty adapter.	Ensure the power adapter is securely plugged into both the device and a working electrical outlet. Try a different outlet. If the issue persists, contact customer support.
Drying cycle does not start when button is pressed.	Lid not fully closed.	Ensure the lid is completely closed and latched. The device will not operate if the lid is open.
Devices are not drying effectively.	Overloaded chamber; blocked vents; excessive moisture.	Ensure no more than two devices are placed in the chamber. Check that devices are positioned to allow airflow. Ensure vents are clear. For very wet devices, an additional cycle may be needed.
Unusual noise during operation.	Minor fan noise is normal; internal obstruction.	A slight fan noise is part of normal operation. If the noise is loud or unusual, disconnect the power and contact customer support.

If the problem persists after attempting these solutions, please contact Audinell customer support.

8. SPECIFICATIONS

Model Name	PerfectDry Q.R.
Brand	Audinell
Color	White
Operation Mode	Manual
Maximum Temperature	113°F (45°C)
Drying Cycle Duration	Approximately 45 minutes
Internal Dimensions (Approx.)	4.1" x 0.8" x 2.2" (10.4 cm x 2.0 cm x 5.6 cm)
Product Dimensions	2.95 x 4.92 x 1.87 inches (7.5 x 12.5 x 4.75 cm)
Item Weight	0.54 Pounds (8.6 ounces / 244 grams)
UPC	855347004330
Manufacturer	MG Development

9. WARRANTY AND SUPPORT

The PerfectDry Q.R. comes with an industry-leading **2-year warranty** from the date of purchase. This warranty covers defects in materials and workmanship under normal use.

What is Covered:

- Manufacturing defects.
- Malfunctions occurring during normal operation.

What is Not Covered:

- Damage caused by misuse, abuse, neglect, or accident.
- Unauthorized repairs or modifications.
- Normal wear and tear.

Claiming Warranty:

To make a warranty claim or for technical support, please contact Audinell customer service. Have your proof of purchase and the product's model name ready when contacting support.

For further assistance, please visit the [Audinell Store on Amazon](#) or refer to the contact information provided with your product packaging.

