

Bosch SMI6ECS93E

Bosch SMI6ECS93E Series 6 Dishwasher User Manual

MODEL: SMI6ECS93E

Brand: Bosch

1. INTRODUCTION

This manual provides essential information for the safe and efficient operation, installation, and maintenance of your Bosch SMI6ECS93E Series 6 built-in dishwasher. Please read these instructions carefully before using the appliance for the first time and keep them for future reference.

The Bosch SMI6ECS93E is an integrated dishwasher designed for seamless integration into your kitchen. It features a capacity of 13 place settings, Home Connect for smart control, and operates with a remarkably low noise level thanks to its EcoSilence Drive motor and Silence Plus technology (42 dB, and 40 dB in Silence program).

Key features include:

- **Capacity:** 13 place settings, suitable for average household needs.
- **Home Connect:** Control and monitor your dishwasher remotely via a smartphone app.
- **EfficientDry:** Automatic door opening at the end of the cycle for improved drying results.
- **Silence Plus:** Operates quietly at 42 dB, ensuring a peaceful kitchen environment, with a dedicated Silence program at 40 dB.
- **AquaSensor:** Detects the degree of soiling and adjusts water consumption accordingly.
- **Extra Clean Zone:** Provides more powerful cleaning for heavily soiled dishes.
- **MaxiPerformance Detergent Dispenser:** Ensures optimal dissolution of detergent tablets.
- **Triple Self-Cleaning Filter:** For effective removal of food particles.

2. SAFETY INFORMATION

Always adhere to the following safety guidelines to prevent accidents and damage to the appliance:

- Read all instructions before use.
- This appliance is intended for domestic use only.
- Do not allow children to operate or play with the dishwasher.

- Sharp items should be loaded with points and sharp edges down to avoid injury.
- Use only detergents and rinse aids specifically designed for automatic dishwashers.
- Ensure the appliance is properly earthed.
- Do not open the door during operation, especially during the hot wash or drying cycle.
- In case of malfunction, disconnect the appliance from the power supply before attempting any inspection or repair.
- The AquaStop system provides protection against water damage.



AquaStop
Des lave-vaisselles garantis anti-fuite.

Figure 2.1: AquaStop System. This image shows the AquaStop water protection system, designed to prevent leaks and water damage by automatically shutting off the water supply if a leak is detected.

3. PRODUCT OVERVIEW

The Bosch SMI6ECS93E dishwasher is designed for optimal performance and user convenience. Below are visual representations of the appliance's exterior and interior components.



Figure 3.1: Front View of the Bosch SMI6ECS93E Dishwasher. This image displays the integrated design of the dishwasher, with its control panel visible at the top of the door, ready to be installed into kitchen cabinetry.



Figure 3.2: Dishwasher Control Panel. This image shows the user interface with various program options (Eco, Auto, Intensive, Express, Silence), a digital display for time remaining, and function buttons for Home Connect, Extra Dry, and Start/Pause.



Figure 3.3: Interior View with Racks. This image illustrates the dishwasher's interior, featuring three levels of baskets: a top cutlery drawer, an adjustable upper basket, and a lower basket for larger items, all designed for efficient loading.



Extra Clean Zone

Un nettoyage plus puissant pour la vaisselle ultra-sale.

Figure 3.4: Rackmatic System. This image highlights the Rackmatic adjustable upper basket, demonstrating how its height can be easily altered to accommodate taller items in either the upper or lower basket, providing flexible loading options.



Figure 3.5: Extra Clean Zone. This image shows the Extra Clean Zone, a dedicated area within the lower basket with intensified water jets, designed for thorough cleaning of heavily soiled dishes like bowls and pots.

4. SETUP AND INSTALLATION

Proper installation is crucial for the performance and longevity of your dishwasher. It is recommended that installation be performed by a qualified technician.

4.1. Unpacking

Carefully remove all packaging materials. Inspect the dishwasher for any signs of damage during transit. Report any damage immediately to your retailer.

4.2. Positioning and Leveling

The dishwasher must be placed on a firm, level floor. Adjust the leveling feet to ensure the appliance is stable and perfectly horizontal. This prevents vibrations and ensures proper door closure.

4.3. Water Connection

Connect the water inlet hose to a cold water supply with a minimum pressure of 0.05 MPa (0.5 bar) and a maximum pressure of 1 MPa (10 bar). Ensure all connections are tight to prevent leaks. The AquaStop system is integrated for water safety.

4.4. Drain Connection

Connect the drain hose to your household drainage system. Ensure the hose is not kinked or obstructed. The drain hose should be positioned at a height between 40 cm and 100 cm from the floor.

4.5. Electrical Connection

Connect the dishwasher to a grounded electrical outlet. The appliance requires a 240 Volt, 2400 Watt power supply. Ensure the electrical circuit is adequately protected by a fuse or circuit breaker. Do not use extension cords or multiple adapters.

4.6. Dimensions

Refer to the diagram below for detailed dimensions required for installation.

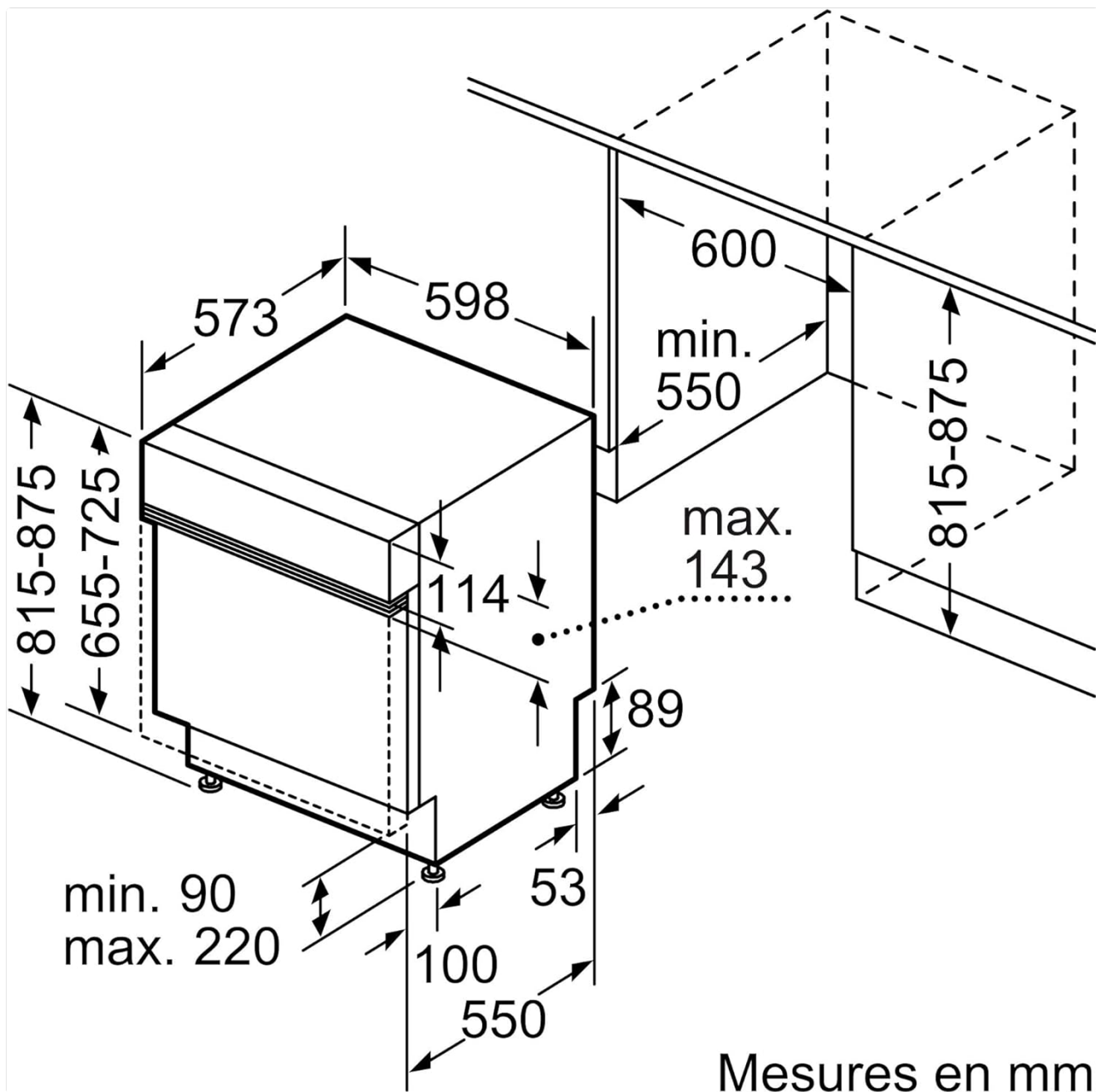


Figure 4.1: Installation Dimensions. This technical drawing provides precise measurements in millimeters for the dishwasher and the required cabinet space, including height, width, and depth, for proper built-in installation.

5. OPERATING INSTRUCTIONS

5.1. Loading the Dishwasher

For optimal cleaning and drying results, load dishes correctly:

- Scrape off large food particles before loading.
- Place glasses, cups, and smaller items in the upper basket. Utilize the Rackmatic system to adjust the height if needed.
- Place plates, bowls, and larger items in the lower basket.
- Load cutlery in the dedicated cutlery drawer at the very top, ensuring items are separated to allow water to reach all surfaces.
- Ensure that no items block the spray arms from rotating freely.

5.2. Adding Detergent and Rinse Aid

Open the detergent dispenser located on the inner side of the door. Add the appropriate amount of dishwasher detergent (powder, gel, or tablet) into the MaxiPerformance dispenser. Close the dispenser lid firmly. Check the rinse aid indicator on the control panel. If low, refill the rinse aid dispenser to ensure streak-free drying results.

5.3. Selecting a Program

Turn on the dishwasher using the power button. Use the program selection buttons on the control panel (refer to Figure 3.2) to choose the desired wash program. Common programs include:

- **Eco:** Energy-efficient program for normally soiled dishes.
- **Auto:** Automatically adjusts temperature and water usage based on soil level detected by AquaSensor.
- **Intensive:** For heavily soiled pots, pans, and dishes.
- **Silence:** Reduced noise level for quiet operation.
- **Express:** Shorter program for lightly soiled dishes.

5.4. Activating Special Functions

Depending on the model, you may have additional functions:

- **Extra Dry:** Increases drying temperature and extends the drying phase for better results on difficult-to-dry items.
- **Home Connect:** Pair your dishwasher with the Home Connect app for remote control, program recommendations, and tablet counter.
- **Extra Clean Zone:** Activates intensified cleaning in a specific area of the lower basket for stubborn dirt.

5.5. Starting the Program

Press the "Start" button to begin the selected program. The display will show the remaining time. The EfficientDry feature will automatically open the door slightly at the end of the drying cycle to improve results.

6. MAINTENANCE AND CLEANING

Regular maintenance ensures optimal performance and extends the lifespan of your dishwasher.

6.1. Cleaning the Filters

The dishwasher is equipped with a triple self-cleaning filter system. However, it is recommended to check and clean the coarse filter regularly, especially if you notice food particles remaining on dishes. To clean:

1. Remove the lower basket.
2. Twist the filter assembly counter-clockwise and lift it out.
3. Separate the coarse and fine filters and rinse them under running water to remove any debris.
4. Reassemble the filters and place them back into the dishwasher, twisting clockwise until secure.

6.2. Cleaning the Spray Arms

Periodically check the spray arm nozzles for blockages. If any holes are clogged, use a thin, pointed object to clear them. Remove the spray arms by unscrewing them (upper) or pulling them up (lower) if necessary.

6.3. Exterior and Interior Cleaning

Wipe the exterior of the dishwasher with a soft, damp cloth. For the interior, run a dishwasher cleaning cycle periodically using a specialized dishwasher cleaner. Do not use abrasive cleaners or solvents.

7. TROUBLESHOOTING

Before contacting customer service, refer to the following common issues and their solutions:

Problem	Possible Cause	Solution
Dishwasher does not start	Power cord not plugged in; door not closed properly; fuse blown.	Check power connection; ensure door is latched; check household fuse box.
Dishes are not clean	Improper loading; spray arm nozzles blocked; insufficient detergent; incorrect program.	Reload dishes correctly; clean spray arms; add more detergent; select a more intensive program.
White streaks on dishes	Rinse aid dispenser empty; water hardness setting incorrect.	Refill rinse aid; adjust water hardness setting (refer to full manual for details).
Dishwasher is noisy	Items interfering with spray arms; foreign object in pump; improper installation.	Rearrange dishes; check for foreign objects; ensure dishwasher is level.
Water not draining	Drain hose kinked or blocked; filter clogged.	Check and clear drain hose; clean filters.

8. TECHNICAL SPECIFICATIONS



Detailed specifications for the Bosch SMI6ECS93E dishwasher:

Parameter	Value
Model	SMI6ECS93E
Brand	Bosch
Installation Type	Integrated / Built-in
Capacity	13 Place Settings
Energy Efficiency Class	D (on a scale from A to G)
Energy Consumption (per 100 cycles)	84 kWh
Water Consumption (per cycle)	6.7 liters
Noise Level	42 dB(A) re 1 pW
Silence Program Noise Level	40 dB

Parameter	Value
Noise Emission Class	B
Eco Program Duration	4:35 (H:min)
Voltage	240 Volts
Wattage	2400 watts
Product Dimensions (H x W x D)	82 x 60 x 57 cm
Item Weight	44 kg
Special Features	Automatic programming, Self-cleaning filter, Smart (Home Connect)

8.1. Energy Label

The energy label provides key information about the appliance's energy efficiency and performance.

Des technologies pour la vie					
					
CALCUL DE L'INDICE DE RÉPARABILITÉ ET PRÉSENTATION DES PARAMÈTRES AYANT PERMIS DE L'ÉTABLIR		L'avis de la norme			
FICHE D'INFORMATION À TRANSMETTRE AUX DEMANDEURS (cf. Article L. 541-9-2 du Code de l'environnement)					
Date du calcul		12.08.2022			
Nom ou marque commerciale du producteur ou de l'importateur		BOSCH			
Adresse du producteur ou de l'importateur		BSH Hausgeräte GmbH, Carl-Wery-Strasse 34, 81739 München, ALLEMAGNE			
Référence du modèle donnée par le producteur ou l'importateur		SMI66CS98 / Code EAN: 424206533330			
Critère	Sous-critère	Note du sous-critère sur 10	Coefficient du sous-critère	Note du critère sur 20	Total des notes des critères sur 100
CRITÈRE 1 : DOCUMENTATION	1.1 Durée de disponibilité de la documentation technique et relative aux conseils d'utilisation et d'entretien	7,3	2	14,6	91,6
	CRITÈRE 2 : DÉMONTABILITÉ, ACCESS, OUTILS, FIXATIONS				
	2.1 Facilité de démontage des pièces de la liste 1*	9,3	1	9,3	
2.2 Outils mécaniques (liste 2)	10,0	0,5	19,0		
2.3 Caractéristiques des fixations entre les pièces de la liste 1** et de la liste 2	9,3	0,5	9,3		
CRITÈRE 3 : DISPONIBILITÉ DES PIÈCES DÉTACHÉES	3.1 Durée de disponibilité des pièces de la liste 2	10,0	1	10,0	
	3.2 Durée de disponibilité des pièces de la liste 1	10,0	0,5	20,0	
	3.3 Délais de livraison des pièces de la liste 2	10,0	0,3	20,0	
	3.4 Délais de livraison des pièces de la liste 1	10,0	0,2	20,0	
CRITÈRE 4 : PRIX DES PIÈCES DÉTACHÉES	4. Rapport prix des pièces de la liste 2 sur prix de l'équipement neuf	10,0	2	20,0	
CRITÈRE 5 : CRITÈRE SPÉCIFIQUE	5.1 Accessibilité du compteur d'usage	10,0	1	10,0	
	5.2 Accession à distance sans frais	6,0	0,5	18,0	
	5.3 Possibilité de réinitialisation logicielle	10,0	0,5	10,0	
Note de l'indice sur 10				9,2	

*Liste 1 : liste des 3 à 5 pièces attachées au maximum (selon la catégorie d'équipements concernés) dont la casse ou les pertes sont les plus fréquentes.
**Liste 2 : liste de 10 autres pièces attachées au maximum (selon la catégorie d'équipements concernés) dont le bon état est nécessaire au fonctionnement de l'équipement.

BSH Elektromotoren, 28 Avenue Michèle, 59400 Saint-Omer
Standard n° 33 1 4948 3000, www.bsh-group.fr
Société par Actions Simplifiée à responsabilité limitée au capital de 10.675.000 EUR
Siège social: Saint-Omer, R.C.S., Boîte aux lettres B 341, 59117 190
RCSOH et son logo sont des marques déposées de Robert Bosch GmbH, Allemagne

Figure 8.1: EU Energy Label. This label shows the energy efficiency class (D), energy consumption (84 kWh/100 cycles), water consumption (6.7 L/cycle), capacity (13 place settings), noise level (42 dB), and eco program duration (4:35 h:min).

For more detailed information, visit the official EPREL database: <https://eprel.ec.europa.eu/qr/250609>

8.2. Repairability Index

The product's repairability index indicates how easily the appliance can be repaired.

Fiche d'information sur le produit	
RÈGLEMENT DÉLÉGUÉ (UE) 2019/2017 DE LA COMMISSION	
Nom du fournisseur ou marque commerciale (a) (b) :	Bosch
Adresse du fournisseur (a) (b) :	BSH Hausgeräte GmbH, Carl-Wery-Str. 34, 81739 Munich, Germany

Référence du modèle ^(a) :		SMI6ECS93E		
Paramètres généraux du produit:				
Paramètre	Valeur	Paramètre	Valeur	
Capacité nominale ^(d) (ps)	13	Dimensions en cm ^(a) ^(b)	Hauteur	82
			Largeur	60
			Profondeur	57
IEE ^(d)	49.9	Classe d'efficacité énergétique ^(d)	D ^(c)	
Indice de performance de lavage ^(d)	1.121	Indice de performance de séchage ^(d)	1.061	
Consommation d'énergie en kWh [par cycle], sur la base du programme eco avec alimentation en eau froide. La consommation réelle d'énergie dépend des conditions d'utilisation de l'appareil.	0.836	Consommation d'eau en litres [par cycle], sur la base du programme eco. La consommation d'eau réelle dépend des conditions d'utilisation de l'appareil et de la dureté de l'eau.	6.7	
Durée du programme ^(d) (h:min)	4:35	Type	Encastrable	
Émissions de bruit acoustique dans l'air ^(d) [dB(A) re 1 pW]	42	Classe d'émissions de bruit acoustique dans l'air ^(d)	B ^(c)	
Mode arrêt (W) (le cas échéant)	-	Mode veille (W) (le cas échéant)	0.50	
Démarrage différé (W) (le cas échéant)	4.00	Mode veille avec maintien de la connexion au réseau (W) (le cas échéant)	2.00	
Durée minimale de la garantie offerte par le fournisseur ^(a) ^(b) :			24 mois	
Informations supplémentaires ^(a) ^(b) :				
Lien internet vers le site web du fournisseur où se trouvent les informations visées à l'annexe II, point 6, du règlement (UE) 2019/2022 de la Commission: www.bosch-home.com/energylabel				

Figure 8.2: Repairability Index. This document shows a repairability index score of 9.2 out of 10 for the Bosch SMI6ECS93E dishwasher, indicating a high degree of reparability based on criteria such as documentation, ease of disassembly, availability of spare parts, and price of spare parts.

9. WARRANTY AND SUPPORT

Your Bosch SMI6ECS93E dishwasher comes with a manufacturer's warranty. For specific terms and conditions,

please refer to the warranty card included with your appliance or contact Bosch customer service.

- **Minimum Warranty Period:** 24 months from the date of purchase.
- **Online Support:** For further information, product registration, and support, please visit the official Bosch website.
- **Energy Label Information:** Additional information regarding the energy label can be found on the supplier's website: <https://www.bosch-home.com/energylabel>

When contacting customer service, please have your model number (SMI6ECS93E) and serial number ready.