

[Manuals.plus](#) /

› [Betopper](#) /

› BETOPPER LC003-HB 54x2W COB LED Stage Light Instruction Manual

Betopper LC003-HB

BETOPPER LC003-HB 54x2W COB LED Stage Light Instruction Manual

Model: LC003-HB

1. INTRODUCTION

This manual provides detailed instructions for the safe and efficient operation of your BETOPPER LC003-HB 54x2W COB LED Stage Light. This professional-grade lighting fixture is designed for various applications including theater, photo studios, home decoration, parties, church events, and weddings. It features super bright white/off-white light beams with adjustable color temperature and high color rendering capabilities. Please read this manual thoroughly before use and retain it for future reference.

2. SAFETY INFORMATION

To ensure safe operation, please observe the following precautions:

- Always connect the unit to a grounded power outlet.
- Do not expose the unit to rain or moisture.
- Ensure proper ventilation to prevent overheating. Do not block ventilation openings.
- Avoid direct eye exposure to the light source.
- Disconnect from power before cleaning or servicing.
- Only qualified personnel should perform repairs.
- Mount the fixture securely using appropriate hardware.

3. WHAT'S IN THE BOX

Upon unpacking, please verify that all components are present and in good condition:

- Stage Light (LC003-HB)
- Power & XLR Adapter
- Installation Brackets
- Installation Screws
- Barndoor

4. SETUP

Follow these steps to set up your BETOPPER LC003-HB stage light:

1. **Mounting the Fixture:** The stage light comes with installation brackets and screws. It can be placed on the floor as an uplight or hung on a truss as a downlight. Ensure the fixture is securely mounted to prevent accidental falls.

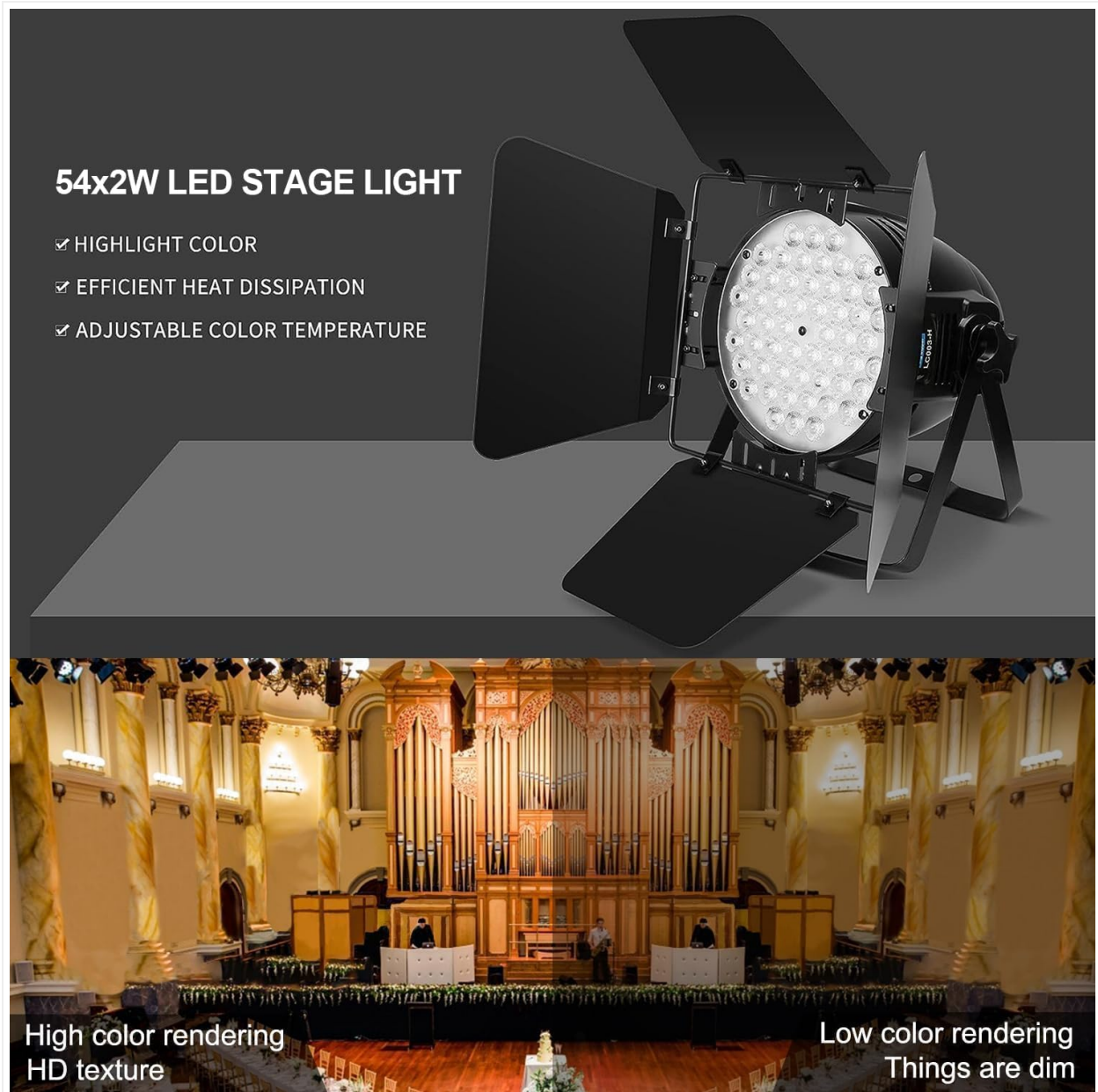


Image: BETOPPER LC003-HB COB LED Stage Light with barndoors and mounting bracket, shown from a slight angle.

2. **Attaching Barndoors:** The adjustable barndoors can be attached to the front of the light. These allow for precise control over the light beam's spread and shape.



PROFESSIONAL COB STAGE SPOTLIGHT

Image: A BETOPPER stage light with barndoors, demonstrating how the four blades can be adjusted to control the light beam.

3. **Power Connection:** Connect the power cable to a grounded power outlet. The unit uses a corded electric power source.
4. **DMX Connection (Optional):** For DMX control or master-slave operation, connect DMX cables to the DMX input and output ports. The fixture supports daisy-chaining for multiple lights.

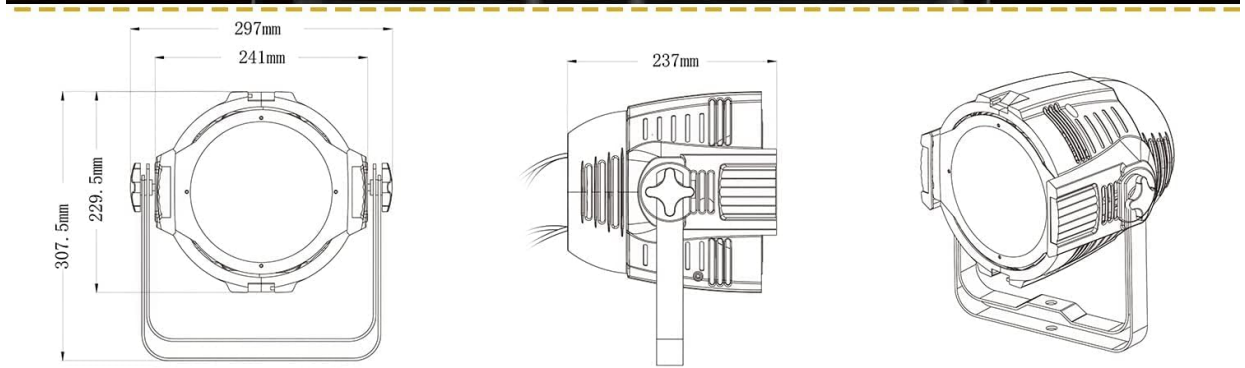
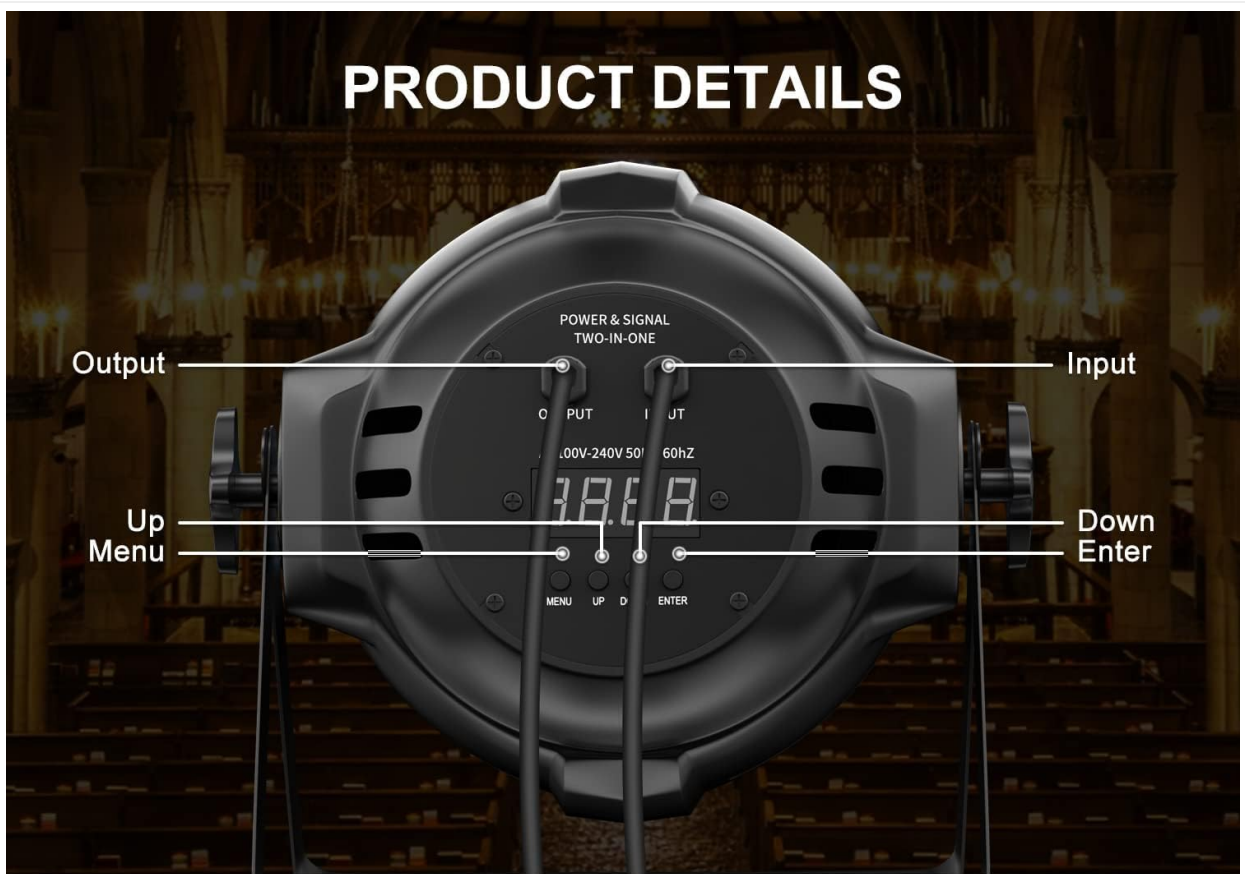


Image: Close-up of the rear panel of the BETOPPER LC003-HB, highlighting the power and DMX input/output ports, along with the control display and buttons.



Image: Diagram illustrating how multiple BETOPPER stage lights can be connected in a master-slave setup using DMX cables for synchronized lighting effects.

5. OPERATING INSTRUCTIONS

The BETOPPER LC003-HB offers versatile control options:

5.1. Standalone Operation

Use the control panel on the rear of the fixture to select modes and adjust settings. The display and buttons (Menu, Up, Down, Enter) allow for direct control over functions such as color temperature and dimming.

5.2. DMX-512 Control

Connect the fixture to a DMX controller using standard 3-pin XLR cables. Set the DMX address on the fixture via the control panel. Refer to your DMX controller's manual for specific programming instructions. This allows for integration with other stage lighting equipment.

5.3. Master-Slave Mode

To synchronize multiple LC003-HB units, connect them in a daisy-chain configuration using DMX cables. Designate one unit as the "Master" and the others as "Slaves" through their respective control panels. The slave units will then mimic the master unit's settings and effects.

5.4. Color Temperature Adjustment

The fixture provides pure white (5600K) and off-white (3200K) light beams. Adjust the color temperature via the control panel or DMX to suit your specific lighting needs.



Image: A series of light beams projected onto a wall, demonstrating the different color temperatures (white and warm white) achievable with the BETOPPER LC003-HB.

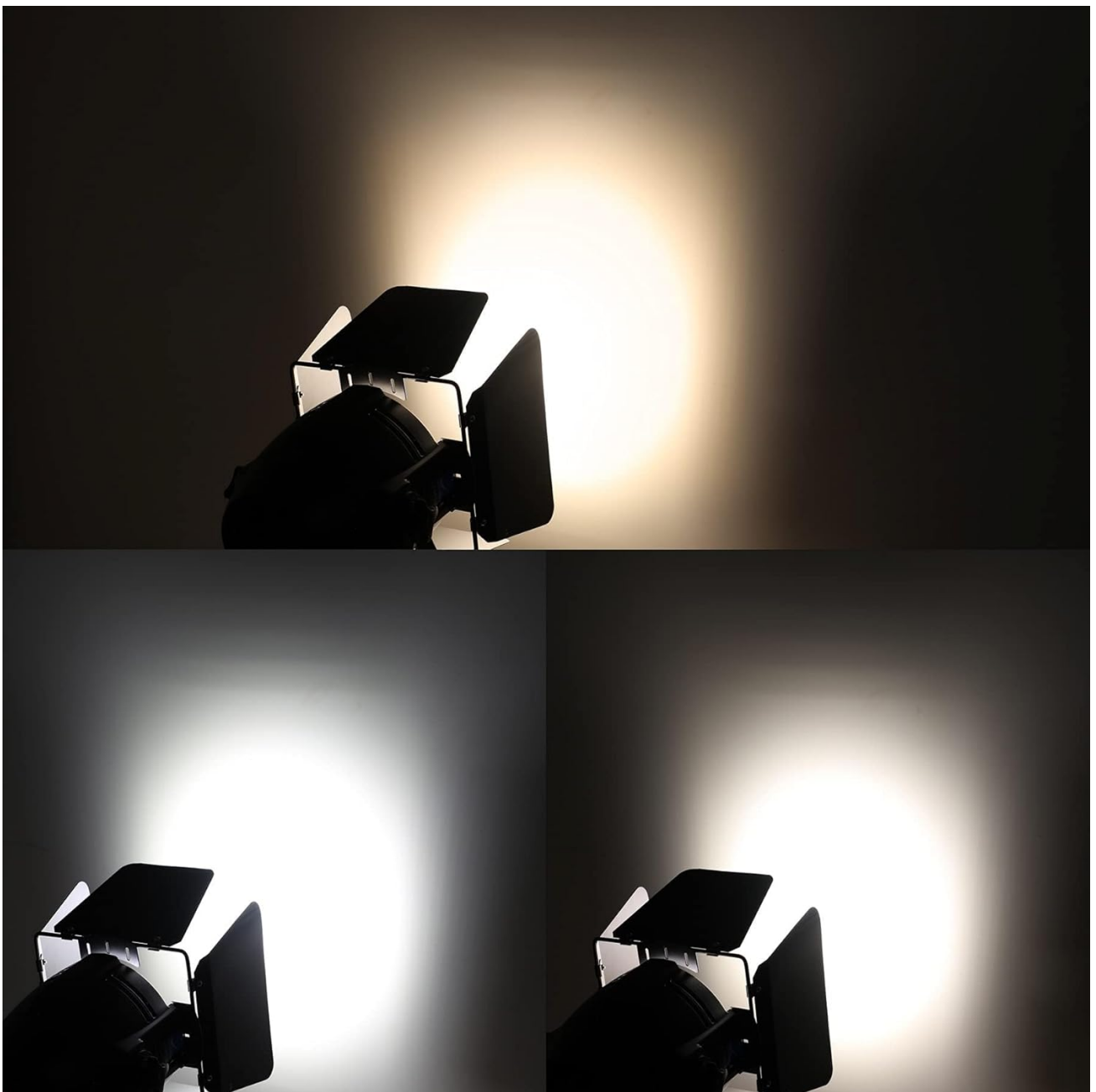


Image: Another perspective showing the light output of the BETOPPER LC003-HB, illustrating the transition between different white light hues.

Your browser does not support the video tag.

Video: A demonstration of the BETOPPER LC003-H COB par light, showcasing its features and light output. This video is provided by the seller, BETOPPERDirect.

6. MAINTENANCE

Regular maintenance ensures optimal performance and longevity of your stage light:

- **Cleaning:** Periodically clean the lens and exterior with a soft, lint-free cloth. Do not use abrasive cleaners or solvents.
- **Ventilation:** Ensure ventilation openings are free from dust and debris to maintain efficient heat dissipation.
- **Cable Inspection:** Regularly check power and DMX cables for any signs of damage. Replace damaged cables immediately.
- **Storage:** When not in use, store the fixture in a dry, dust-free environment.

7. TROUBLESHOOTING

If you encounter issues with your BETOPPER LC003-HB, refer to the following common solutions:

Problem	Possible Cause	Solution
Light does not turn on	No power supply; Faulty cable; Unit malfunction	Check power connection and outlet. Test with a different power cable. If problem persists, contact support.
No DMX control	Incorrect DMX address; Faulty DMX cable; DMX controller issue	Verify DMX address settings. Check DMX cable connections. Test with a different DMX cable or controller.
Light flickers or behaves erratically	Loose connection; Power fluctuations; DMX signal interference	Ensure all cables are securely connected. Use a stable power source. Check DMX signal integrity.
Overheating	Blocked ventilation; Insufficient airflow	Ensure all ventilation openings are clear. Operate in a well-ventilated area.

8. SPECIFICATIONS

Feature	Detail
Model Number	LC003-HB
Brand	Betopper
Light Source Type	LED
Number of Light Sources	54
Light Source Wattage	120 Watts
Color Temperature	5000 Kelvin (White), 3200 Kelvin (Off-White)
Color Rendering Index (CRI)	90
Power Source	Corded Electric
Amperage	1.2 Amps
Material	Acrylonitrile Butadiene Styrene (ABS), Aluminum
Color	Black
Item Dimensions (L x W x H)	11"L x 9"W x 12"H
Mounting Type	Ceiling Mount, Floor Stand
Special Features	DMX-512 control, Master-slave mode, Daisy-chainable, Barndoors

9. WARRANTY AND SUPPORT

The BETOPPER LC003-HB stage light comes with a **1-year manufacturer's warranty**.

For technical support, warranty claims, or any questions regarding your product, please contact Betopper customer service through their official website or the retailer where the product was purchased. Please have your model number (LC003-HB) and proof of purchase ready when contacting support.