

Teraves SLUGRIAS

Teraves Reversible L-Shaped Desk User Manual

Model: SLUGRIAS

[Setup](#)

[Operating Instructions](#)

[Maintenance](#)

[Troubleshooting](#)

[Specifications](#)

[Warranty &](#)

[Support](#)

1. SETUP AND ASSEMBLY

The Teraves L-Shaped Desk is designed for straightforward assembly. It is recommended that **two people** perform the assembly to ensure safety and ease of installation. All necessary tools are included, but a ratcheting bit screwdriver may simplify the process.

1.1 Unpacking and Component Check

Carefully unpack all components and verify against the parts list provided in your packaging. Lay out all pieces in numerical order to ensure everything is present before beginning assembly. Be aware that styrofoam packaging may leave residue; have a vacuum or duster ready.

1.2 Frame Assembly

Begin by assembling the metal frame. Connect the frame pieces using the provided screws and Allen wrenches. **Do not fully tighten screws until all components are in place and the desk is adjusted to your desired configuration.** This allows for minor adjustments and ensures proper alignment.

Video: Assembly overview for the L-shaped desk.

1.3 Bookshelf Installation

Attach the bookshelf components to the frame as indicated in the instructions. Ensure all screws are securely fastened once the bookshelf is correctly positioned.



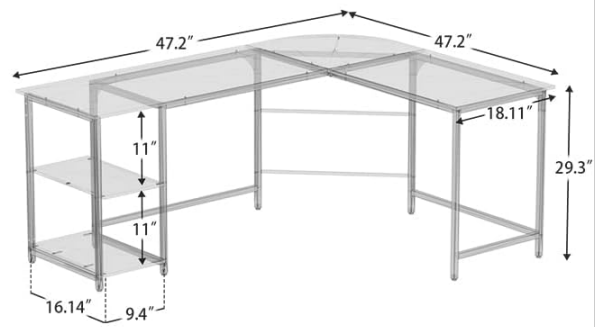
Image: The Teraves L-Shaped Desk featuring integrated storage shelves and a CPU stand.

1.4 Desktop Panel Placement

Carefully place the desktop panels onto the assembled frame. The desk features **reversible design**, allowing you to configure the L-shape to either the left or right side to best suit your space. Decide on the orientation before securing the panels.



- Larger Desk Surface
- Larger Shelves for Storage
- With CPU Stand
- More Color Available
- Reversible



- Short and Narrow Desk Surface
- Smaller Shelves
- Without CPU Stand
- 1-2 Color Available
- Not Reversible

Image: This diagram illustrates the reversible nature of the desk, allowing for left or right L-shaped configurations, along with key dimensions.

1.5 Adjustable Leg Pads

The desk is equipped with adjustable leg pads. Use these to stabilize the desk on uneven floors or carpets, ensuring a level and secure workspace.



**WATERPROOF
WOOD BOARD**



**SAFE ROUND
CORNER**



**ADJUSTABLE
LEG PAD**



Image: Detail view highlighting the waterproof wood board, safe rounded corner, and adjustable leg pad for stability.

2. OPERATING INSTRUCTIONS

2.1 Workspace Utilization

The large surface area of the L-shaped desk provides ample space for multiple monitors, laptops, and other office supplies. The reversible design allows you to optimize your workspace layout according to your room's configuration and personal preference.

Video: Demonstrates the reversible L-shaped desk with shelves, showcasing its versatility in different office setups.

2.2 Storage Shelves

Utilize the open 2-tier storage shelves for organizing books, documents, or displaying decorative items. The integrated CPU stand helps keep your computer tower off the floor, protecting it from dust and improving airflow.

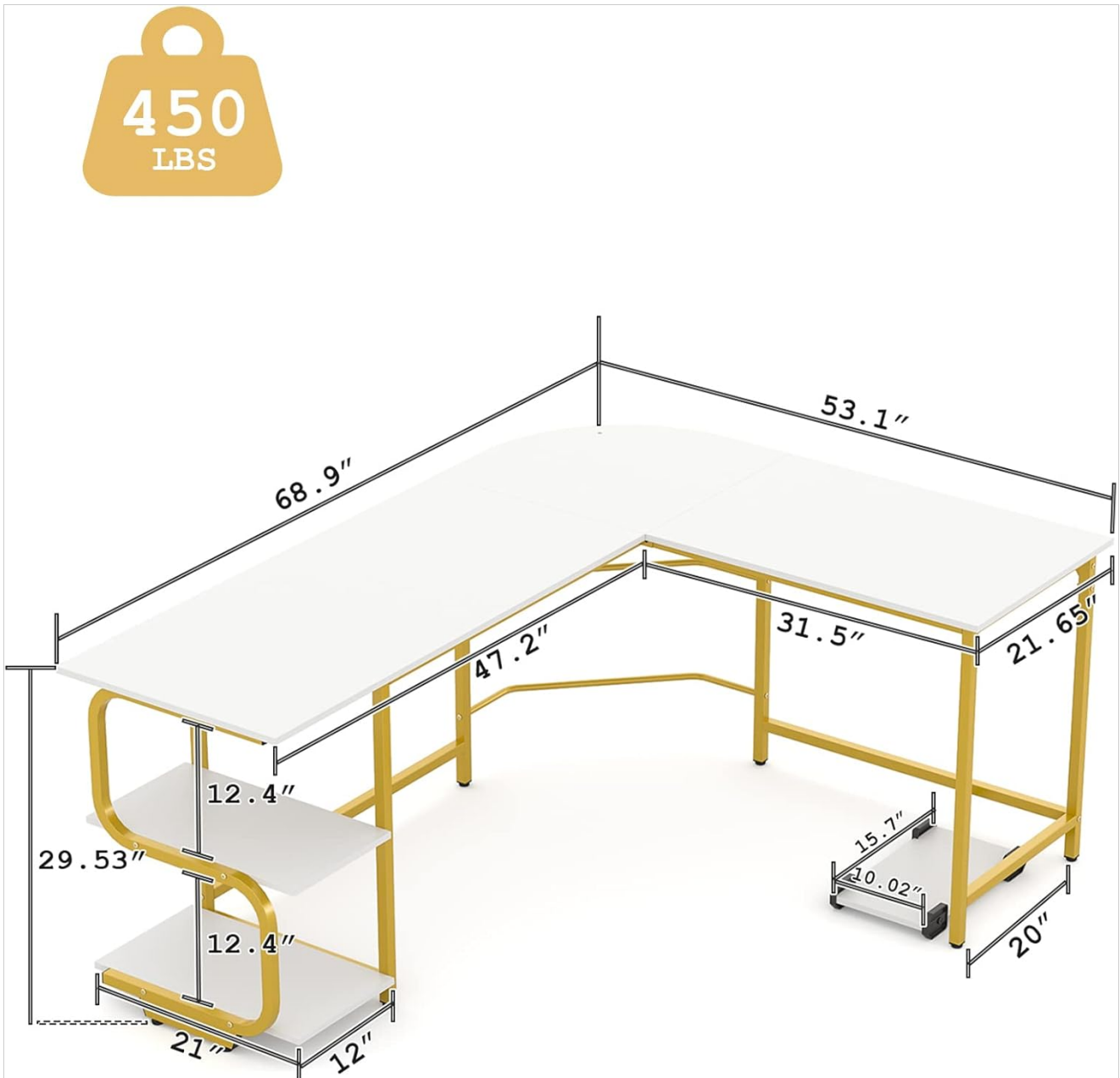


Image: This image provides detailed dimensions of the desk, including the shelf sizes and overall footprint, and indicates a maximum weight capacity of 450 lbs.

2.3 Monitor Stand Compatibility

The desk includes a compatible hole for installing a monitor stand. The hole diameter is 0.39 inches, allowing for easy integration of most standard monitor mounts.

HOLD FOR MONITOR STAND

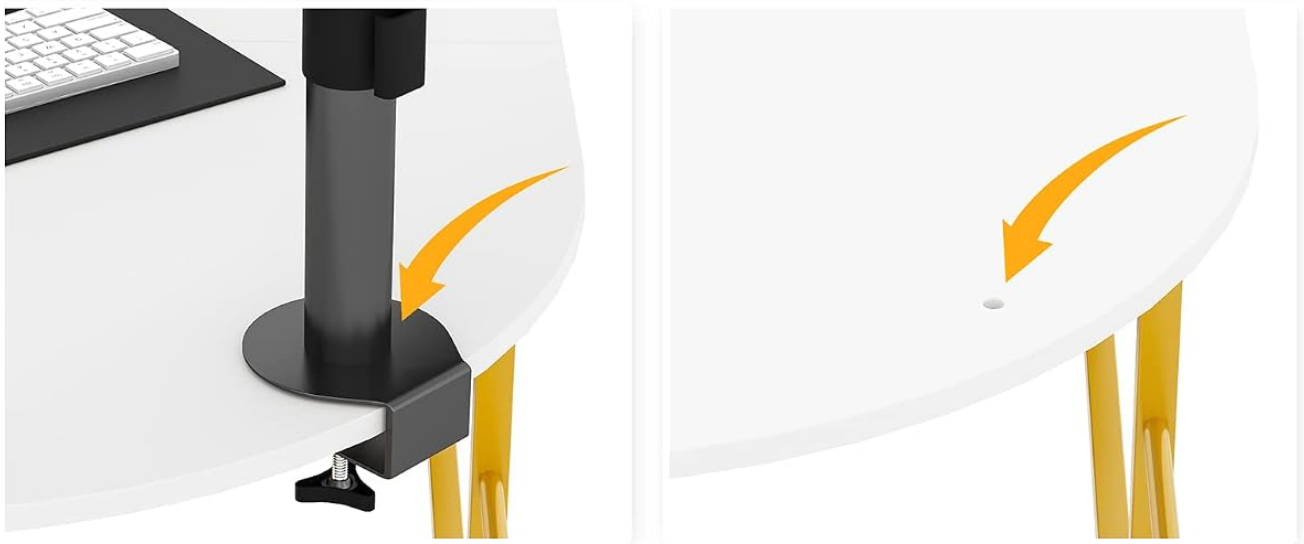


Image: A close-up view of the designated hole on the desk surface, designed for easy installation of a monitor stand.

3. MAINTENANCE

3.1 Cleaning

The desk features a waterproof wood board, making it easy to clean. Wipe the surface with a damp cloth and mild detergent as needed. Avoid abrasive cleaners or harsh chemicals that could damage the finish.

3.2 General Care

Regularly check all screws and connections to ensure they remain tight. Avoid placing extremely hot or cold items directly on the desktop without protective coasters. While the desk is sturdy, avoid excessive force or standing on the surface.

4. TROUBLESHOOTING

4.1 Desk Instability

If the desk feels wobbly, ensure all assembly screws are fully tightened. Adjust the leg pads on each corner to compensate for uneven flooring. Rotate the leg pads until the desk is stable and level.

4.2 Missing Parts or Damaged Components

If you find any missing parts or damaged components upon unpacking, please contact Teraves customer support immediately for assistance. Do not attempt to assemble the desk with incomplete or damaged parts.

4.3 Assembly Difficulties

Refer to the detailed assembly instructions provided with your product. If you encounter persistent difficulties, review the steps carefully or seek assistance from a second person. Remember to only hand-tighten screws initially and fully tighten them once the desk is correctly aligned.

5. SPECIFICATIONS

Feature	Detail
Brand	Teraves
Model Number	SLUGRIAS
Shape	L-Shape
Product Dimensions	68.9"D x 53.1"W x 29.3"H
Desk Panel Dimensions	68.9" x 22" & 53.15" x 22" (with corner length)
Height	30"
Color	White + Gold Frame
Style	Modern
Base Material	Metal (Steel)
Top Material Type	Engineered Wood
Finish Type	Powder Coated
Special Feature	Reversible, Adjustable Leg Pads
Included Components	Desk, Storage Shelves, CPU Stand
Maximum Weight Recommendation	450 Pounds

Monitor Stand Hole Diameter	0.39 inches
Number of Shelves	2 (open tiers)

6. WARRANTY AND SUPPORT

6.1 Protection Plans

Optional protection plans are available for purchase to extend coverage beyond the standard manufacturer's warranty. These include:

- **2-Year Protection Plan:** One-time payment of \$32.99.
- **3-Year Protection Plan:** One-time payment of \$40.99.
- **NEW Complete Protect:** Monthly billing at \$16.99, covering all eligible past and future purchases.

Please refer to the specific terms and conditions of your chosen protection plan for full details on coverage and claims.

6.2 Returns and Customer Support

This product is eligible for 30-day easy returns. For any questions, concerns, or support needs regarding your Teraves L-Shaped Desk, please contact Teraves customer support through the retailer's platform or visit the official Teraves store online. Ensure you have your model number (SLUGRIAS) and purchase details ready for faster service.
