

[Manuals.plus](#) /

› [Yaheetech](#) /

› Yaheetech 4-Piece White Dining Chairs Instruction Manual

Yaheetech 4-Piece Dining Chairs (Model: B09327HHB3)

Yaheetech 4-Piece White Dining Chairs Instruction Manual

1. INTRODUCTION

This manual provides comprehensive instructions for the assembly, safe use, and proper maintenance of your Yaheetech 4-piece dining chairs. These chairs are designed with a high back, comfortable leather-look seat, sturdy wood legs, and a waterproof surface, making them suitable for indoor use in dining rooms, kitchens, or restaurants.



Image 1.1: Yaheetech 4-Piece White Dining Chairs in a dining room setting.

2. SAFETY INFORMATION

- **Indoor Use Only:** These chairs are designed exclusively for indoor environments. Exposure to outdoor elements may cause damage and void the warranty.
- **Weight Capacity:** Do not exceed the maximum weight capacity of 135 kg (297.6 lbs) per chair. Overloading can lead to structural failure and injury.
- **Assembly Caution:** Exercise caution during assembly. Ensure all parts are correctly aligned and fasteners are securely tightened to prevent instability.
- **Floor Protection:** Use anti-skid protection or felt pads on the chair legs to prevent slipping and protect floor surfaces from scratches or damage.
- **Regular Inspection:** Periodically check all bolts and connections to ensure they remain tight. Retighten as necessary.
- **Avoid Standing:** Do not stand on the chairs. They are designed for seating purposes only.

3. PACKAGE CONTENTS

Before beginning assembly, verify that all components listed below are present and undamaged. If any

parts are missing or damaged, please contact customer support.

- 4 x Chair Backrests
- 4 x Chair Seats
- 16 x Chair Legs (4 per chair)
- Hardware Pack (screws, washers, Allen wrench)
- 1 x User Manual



Image 3.1: Key components and features of the dining chair.

4. ASSEMBLY INSTRUCTIONS

Assembly typically requires two people. Please follow these steps carefully:

1. **Unpack Components:** Carefully remove all parts from the packaging. Lay them out on a clean, soft surface (e.g., carpet or a blanket) to prevent scratches.
2. **Identify Parts:** Refer to the parts list in Section 3 to identify each component.
3. **Attach Legs to Seat:** Align the pre-drilled holes on each chair leg with the corresponding holes on the underside of the chair seat. Insert the provided screws and washers.
4. **Secure Legs:** Using the Allen wrench, hand-tighten all screws initially. Do not fully tighten until all legs are in place.

5. **Attach Backrest:** Connect the backrest to the seat frame, ensuring proper alignment. Insert and hand-tighten the screws.
6. **Final Tightening:** Once all components are assembled, place the chair upright on a level surface. Apply gentle pressure to the seat, then fully tighten all screws. This helps ensure the chair is level and stable.
7. **Check Stability:** Gently rock the chair to ensure it is stable and does not wobble. If wobbling occurs, loosen the screws slightly, adjust the chair on a flat surface, and re-tighten.

5. USAGE GUIDELINES

These dining chairs are designed for comfortable and functional use in your home or commercial setting.

- **Seating:** Use the chairs for seating purposes only. Avoid standing on them or using them as step stools.
- **Placement:** Position chairs on a flat, stable surface to prevent tipping.
- **Weight Distribution:** Distribute weight evenly on the seat. Avoid placing excessive weight on the edges or backrest.
- **Movement:** When moving chairs, lift them rather than dragging them to prevent damage to legs and floor surfaces.



6. CARE AND MAINTENANCE

Proper care will extend the life and appearance of your dining chairs.

- **Cleaning:** The PVC leather surface is waterproof. Wipe clean with a soft, damp cloth. For stubborn stains, use a mild soap solution and immediately wipe dry. Avoid abrasive cleaners or harsh chemicals.
- **Spills:** Promptly clean up any spills to prevent staining, especially on the wood legs.
- **Sunlight Exposure:** Avoid prolonged direct sunlight exposure, which can cause the PVC leather to fade or crack over time.
- **Heat Sources:** Keep chairs away from direct heat sources like radiators or fireplaces to prevent material damage.
- **Leg Care:** For the wood legs, wipe with a dry cloth. If necessary, use a wood-safe cleaner.



Image 6.1: Waterproof PVC leather surface for easy cleaning.

7. TROUBLESHOOTING

If you encounter any issues with your dining chairs, refer to the following common problems and solutions:

Issue: Chair wobbles after assembly.

- **Solution 1:** Ensure all screws are fully tightened. Loosen them slightly, place the chair on a flat surface, apply gentle pressure to the seat, and then re-tighten all screws.
- **Solution 2:** Check if the floor surface is uneven. Try moving the chair to a different spot or using shims under the legs if necessary.

Issue: Screws become loose over time.

- **Solution:** This is normal for furniture. Periodically (e.g., every 3-6 months) check and re-tighten all assembly screws to maintain stability.

Issue: Scratches on the floor.

- **Solution:** Ensure anti-skid pads are properly installed on all chair legs. Replace worn pads as needed.

8. PRODUCT SPECIFICATIONS

Feature	Detail
Quantity	4 Chairs
Color	White
Materials	PVC Leather, Non-woven Fabric, Composite Board, Foam, Rubberwood, Pine Wood
Assembled Dimensions (D x W x H)	22.44" x 18.11" x 36.42" (57 x 46 x 92.5 cm)
Seat Width	18" (45.7 cm)
Seat Depth	16.5" (41.9 cm)
Maximum Weight Capacity (per chair)	300 lbs (135 kg)
Item Weight (per chair)	12.79 lbs (5.8 kg)
Frame Material	Wood
Seat Material	Foam
Back Style	Solid Back
Leg Style	Straight Leg
Additional Features	Sturdy, Waterproof

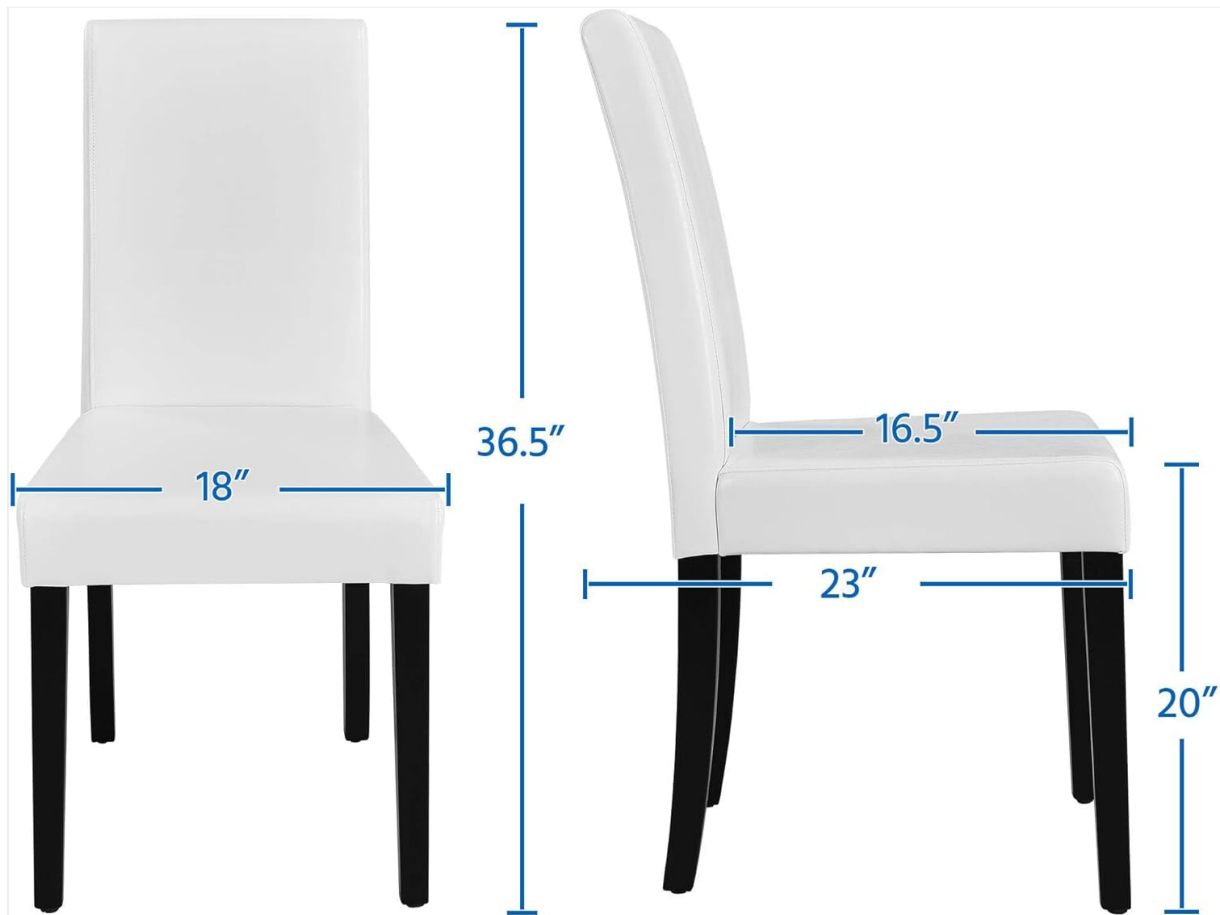


Image 8.1: Dining chair dimensions.

9. VIDEO DEMONSTRATION

Watch this official product video for a visual guide on the features and design of the Yaheetech 4-piece PU leather dining chairs.

Your browser does not support the video tag.

Video 9.1: Yaheetech 4pcs PU Leather Dining Chairs overview. This video demonstrates the chair's design, materials, and overall appearance.

10. WARRANTY AND SUPPORT

Yaheetech provides customer support for its products. While specific warranty details are not provided in this manual, the product typically includes a 30-day easy return policy. For any questions, concerns, or to report missing/damaged parts, please contact the seller or manufacturer directly through your purchase platform.

Please retain your purchase receipt for any warranty claims or support inquiries.