

Manuals+

[Q & A](#) | [Deep Search](#) | [Upload](#)

Manuals.plus /

› [Relaxdays](#) /

› Relaxdays Folding Luggage Rack (Model B092MDP5NG) Instruction Manual

Relaxdays B092MDP5NG

Relaxdays Folding Luggage Rack

INSTRUCTION MANUAL - MODEL B092MDP5NG

Introduction

Thank you for choosing the Relaxdays Folding Luggage Rack. This product is designed to provide a convenient and elevated surface for packing and unpacking luggage, reducing strain and keeping your belongings organized. Its foldable design allows for easy storage when not in use. Please read this manual carefully before assembly and use to ensure safe and proper operation.



Image: The Relaxdays Folding Luggage Rack in a living room, positioned next to a pink suitcase. The rack is made of natural wood with black support straps, and a pair of slippers rests on its lower shelf.

Package Contents

Before beginning assembly, please ensure all parts are present and undamaged. If any parts are missing or damaged, please contact customer support.

- Wooden frame components
- Support straps (pre-attached to some models)
- Lower shelf slats
- Assembly hardware (screws, bolts, etc.)
- Instruction sheet

Assembly Instructions

Assembly is required for this product. Follow these steps carefully. It is recommended to assemble the unit on a soft, clean surface to prevent scratches.

1. **Identify Components:** Lay out all wooden frame pieces, support straps, and lower shelf slats. Refer to the assembly diagram to identify each part.
2. **Assemble Side Frames:** Connect the cross-braced wooden side frames using the provided hardware. Ensure all screws are tightened securely but do not overtighten.
3. **Attach Top Support Bars:** Secure the top horizontal support bars to the assembled side frames. These bars will hold the fabric straps.
4. **Install Lower Shelf:** Insert the lower shelf slats into the designated slots on the lower frame. Ensure they are firmly seated.
5. **Secure Straps:** The four polyester straps should be securely attached to the top support bars. Ensure they are evenly spaced and taut to provide a stable surface for luggage.
6. **Final Check:** Once assembled, gently shake the luggage rack to ensure all connections are stable and secure.

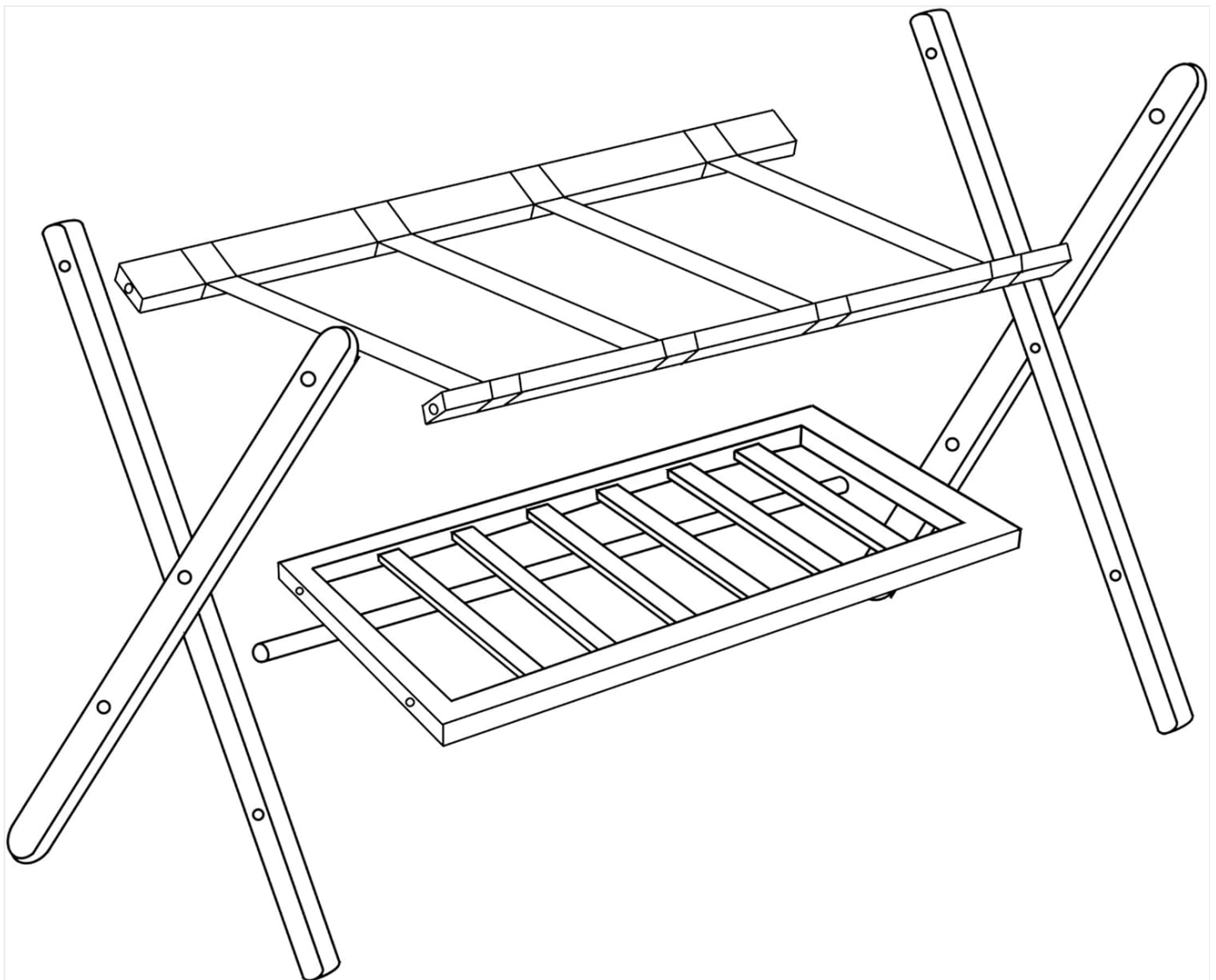


Image: An exploded diagram showing the individual wooden components and the lower shelf of the luggage rack, illustrating how they fit together during assembly.



Image: A close-up view of the black polyester strap wrapped around a wooden bar, showing the secure attachment point for the luggage support.

Operating Instructions

To use your Relaxdays Folding Luggage Rack:

1. **Unfold:** Gently pull the two side frames apart until the rack is fully extended and stable. The cross-braced design will lock into place.
2. **Place Luggage:** Position your suitcase or travel bag on the top polyester straps. Ensure the weight is evenly distributed. The maximum load capacity is 30 kg.
3. **Use Lower Shelf:** The lower slatted shelf can be used for smaller bags, shoes, or other items, keeping them off the floor.
4. **Fold for Storage:** To fold, gently push the side frames together. The rack will collapse into a compact form for easy storage in a closet or under a bed.



Image: The unfolded luggage rack with its dimensions clearly marked: 54.5 cm in height, 66 cm in width, and 44.5 cm in depth.





Image: The luggage rack in its folded state, illustrating its compact dimensions for storage: 68 cm in height and 8 cm in depth.

Maintenance and Care

- **Cleaning:** Wipe the wooden frame with a soft, damp cloth. Avoid abrasive cleaners or harsh chemicals that could damage the wood finish.
- **Strap Care:** The polyester straps can be spot cleaned with mild soap and water if necessary. Ensure they are dry before folding the rack for storage.
- **Inspection:** Periodically check all screws and connections to ensure they remain tight. Retighten if needed.
- **Storage:** Store the folded luggage rack in a dry place away from direct sunlight or extreme temperatures to preserve the wood and straps.

Troubleshooting

- **Rack is unstable after assembly:** Ensure all screws are fully tightened and that the side frames are correctly aligned and locked into their open position. Refer to the assembly diagram to verify correct part placement.
- **Difficulty folding/unfolding:** Check for any obstructions or misaligned parts. Ensure the mechanism moves freely. Do not force the rack.
- **Damaged parts:** If any part is damaged or missing upon arrival, do not attempt to assemble or use the product. Contact customer support for assistance.

Specifications

Model Number	B092MDP5NG
Brand	Relaxdays
Color	Nature
Material	Wood (frame), Polyester (straps)
Dimensions (Unfolded)	54.5 cm (H) x 66 cm (W) x 44.5 cm (D)
Dimensions (Folded)	Approx. 68 cm (H) x 8 cm (D)
Item Weight	3.2 Kilograms
Maximum Load Capacity	30 kg
Assembly Required	Yes

Warranty and Support

For warranty information, please refer to the documentation provided at the time of purchase or contact your retailer. For product support or to inquire about replacement parts, please visit the official Relaxdays store on Amazon or contact their customer service directly.

[Visit the Relaxdays Amazon Store](#)