

ELRO DL6000-LP

ELRO DL6000-LP Electric Door Opener Strike Plate Instruction Manual

Model: DL6000-LP

1. INTRODUCTION

Thank you for choosing the ELRO DL6000-LP Electric Door Opener Strike Plate. This accessory is designed to enhance the functionality of your ELRO DL6000 electric door opener, allowing it to be used effectively on doors equipped with a long plate or a standard latch and latch mechanism. This manual provides essential information for the correct installation, safe use, and maintenance of your strike plate. Please read these instructions carefully before installation and retain them for future reference.

2. SAFETY INFORMATION

Observe the following safety precautions during installation and use:

- Always disconnect power to the electric door opener before performing any installation or maintenance.
- Ensure all components are securely fastened to prevent accidental detachment.
- Use appropriate tools for installation to avoid damage to the product or injury.
- This product is intended for indoor use with compatible ELRO DL6000 electric door openers only.
- Keep small parts away from children to prevent choking hazards.

3. PACKAGE CONTENTS

Verify that all items are present in the package:

- 1 x ELRO DL6000-LP Strike Plate (Stainless Steel)
- 1 x Instructions for Use (This manual)

4. PRODUCT OVERVIEW

The ELRO DL6000-LP is a robust strike plate made from stainless steel, designed to provide a secure and compatible interface for the ELRO DL6000 electric door opener. Its specific design accommodates doors that utilize a traditional latch and latch mechanism, ensuring seamless integration and reliable operation.

PLAQUE DE VERROUILLAGE AVEC LOQUET ET PÊNE DORMANT

Compatible avec ELRO DL6000 Ouvreur de porte électrique

Home is not a place, it's a feeling



Figure 1: ELRO DL6000-LP Strike Plate. This image shows the front view of the stainless steel strike plate, highlighting its cutouts for the latch and deadbolt, and screw holes for mounting.

5. SETUP AND INSTALLATION

The ELRO DL6000-LP strike plate is an accessory for the ELRO DL6000 electric door opener. Its installation involves replacing or modifying the existing strike plate on your door frame to ensure compatibility with the electric opener and the door's locking mechanism.

5.1. Compatibility Check

Ensure your door frame and existing lock mechanism are compatible with the dimensions of the DL6000-LP strike plate. This strike plate is specifically designed for doors with a latch and latch, and for use with the ELRO DL6000 electric door opener.

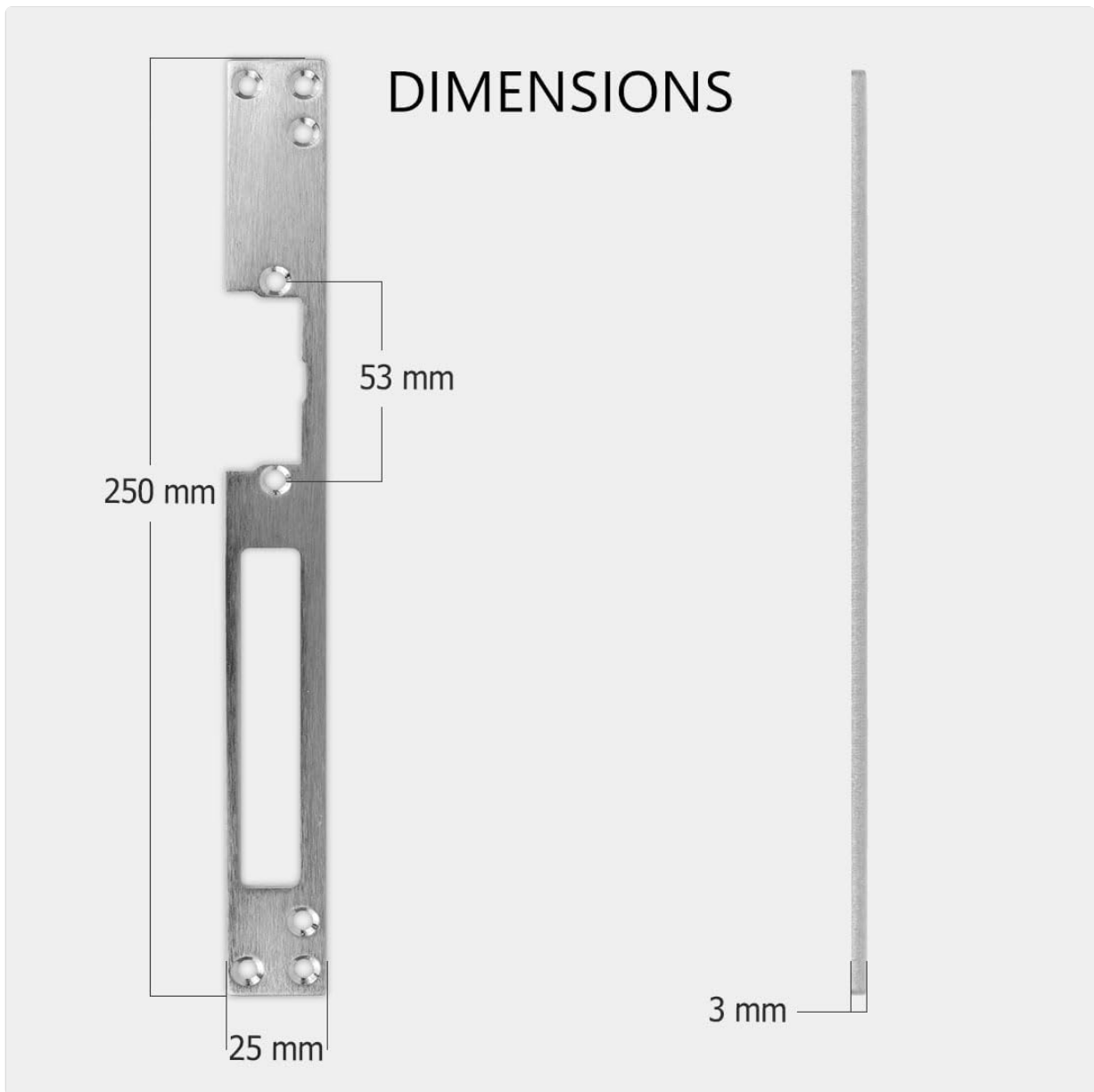


Figure 2: Dimensions of the ELRO DL6000-LP Strike Plate. This diagram illustrates the precise measurements of the strike plate, including its length (250 mm), width (25 mm), and thickness (3 mm), along with the spacing for the latch and deadbolt cutouts (53 mm).

5.2. Installation Steps

1. **Prepare the Door Frame:** Carefully remove the existing strike plate from your door frame. Clean the area to ensure a smooth surface for the new installation.
2. **Position the DL6000-LP:** Align the ELRO DL6000-LP strike plate with the mortise in the door frame. Ensure that the cutouts for the latch and deadbolt align perfectly with the corresponding parts of your door's lock mechanism when the door is closed.
3. **Mark and Drill (if necessary):** If the existing screw holes do not align, mark the new positions for drilling. Use an appropriate drill bit for your door frame material (wood, metal, etc.) and drill pilot holes.
4. **Secure the Strike Plate:** Fasten the DL6000-LP strike plate to the door frame using suitable screws. Ensure it is flush with the frame and securely tightened to prevent movement.
5. **Test Functionality:** Close the door slowly and check that the latch and deadbolt engage smoothly with the strike plate. Verify that the ELRO DL6000 electric door opener functions correctly with the newly installed strike plate. Adjust if necessary.

6. OPERATING

Once correctly installed, the ELRO DL6000-LP strike plate works in conjunction with your ELRO DL6000 electric door opener. It provides the necessary receiving mechanism for the door's latch and deadbolt, allowing the electric opener to control access by retracting the latch when activated. No direct user operation is required for the strike plate itself; its function is passive, facilitating the electric opener's action.

7. MAINTENANCE

The ELRO DL6000-LP strike plate requires minimal maintenance:

- **Cleaning:** Periodically wipe the strike plate with a soft, damp cloth to remove dust and grime. Avoid abrasive cleaners or harsh chemicals that could damage the stainless steel finish.
- **Inspection:** Regularly check the strike plate for any signs of wear, damage, or loosening of screws. Ensure it remains securely fastened to the door frame.
- **Lubrication:** If the latch or deadbolt experiences friction when engaging with the strike plate, a small amount of dry lubricant (e.g., graphite powder) can be applied to the moving parts of the lock, not directly to the strike plate.

8. TROUBLESHOOTING

If you encounter issues with the ELRO DL6000-LP strike plate, consider the following:

- **Door Not Closing/Latching Properly:**
 - Check the alignment of the strike plate with the door's latch and deadbolt. Minor adjustments to the strike plate's position or the door hinges may be required.
 - Ensure the strike plate is securely fastened and not loose.
- **Electric Door Opener Malfunction:**
 - If the electric door opener is not retracting the latch, verify that the strike plate is not obstructing its mechanism. Refer to the ELRO DL6000 electric door opener manual for specific troubleshooting steps related to the opener itself.
- **Visible Damage:**
 - If the strike plate is bent or damaged, it may need to be replaced to ensure proper door function and security.

For persistent issues, contact ELRO customer support.

9. SPECIFICATIONS

Attribute	Detail
Brand	ELRO
Model Number	DL6000-LP
Material	Stainless Steel
Dimensions (L x W x H)	250 mm x 25 mm x 3 mm (approx. 9.84 x 0.98 x 0.04 inches)

Weight	0.09 Kilograms
Color	Stainless Steel
Finish Type	Polished
Recommended Uses	Indoor doors
Compatibility	ELRO DL6000 Electric Door Opener

10. WARRANTY AND SUPPORT

For information regarding warranty terms and conditions, please refer to the documentation provided with your ELRO DL6000 electric door opener or visit the official ELRO website. If you require technical assistance or have questions about the ELRO DL6000-LP strike plate, please contact ELRO customer support through their official channels.

ELRO Customer Support: Please visit www.elro.eu for contact information and support resources.