

## WEPARTICULAR AV870

# WEPARTICULAR AV870 7-Inch Double Din Car Stereo User Manual

Model: AV870

## 1. INTRODUCTION

---

This user manual provides comprehensive instructions for the installation, operation, and maintenance of your WEPARTICULAR AV870 7-inch double DIN car stereo. Please read this manual thoroughly before using the product to ensure proper functionality and to maximize your user experience. Keep this manual for future reference.

## 2. PRODUCT OVERVIEW

---

### 2.1 Key Features

- 7-inch HD digital touch screen display.
- Built-in Bluetooth for wireless audio streaming and hands-free calling.
- Supports FM/AM/RDS radio with automatic scanning and 18 station presets.
- Multiple media playback options: USB, SD card, and AUX input.
- Supports various audio formats including DIS, MP3, WMA, ACC, OGG, WAV, RA, AC3, MP2, AMR, APE, FLAC.
- Supports various video formats including AVI, MP4, FLV, PMP, RM, RMVB, MPG.
- Supports JPEG picture browsing.
- Video input for rear view camera with automatic switching.
- 24Bit DAC for high-fidelity sound quality.
- Electronic sound adjustment (EQ) with various audio modes.

### 2.2 Package Contents

- 1 x WEPARTICULAR AV870 Car MP5 Player
- 1 x Power Cable
- 1 x Speaker Cable
- 1 x USB Cable
- 1 x User Manual (this document)

**Support reversing rear view Safer driving  
Intimate design, in line with the original  
intention of safe driving  
Acting as the driver's eyes, driving safer**



Image: WEPARTICULAR AV870 Car Stereo shown from various angles, highlighting its design and ports.

**1080P HD movie-like picture quality**  
**Support HD video playback**  
**Resolution to 1090×1080p**  
**Clear picture quality,**  
**making the picture rich and delicate**



Image: The AV870 car stereo displaying a high-definition video, demonstrating its 1080P picture quality.

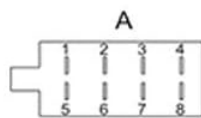
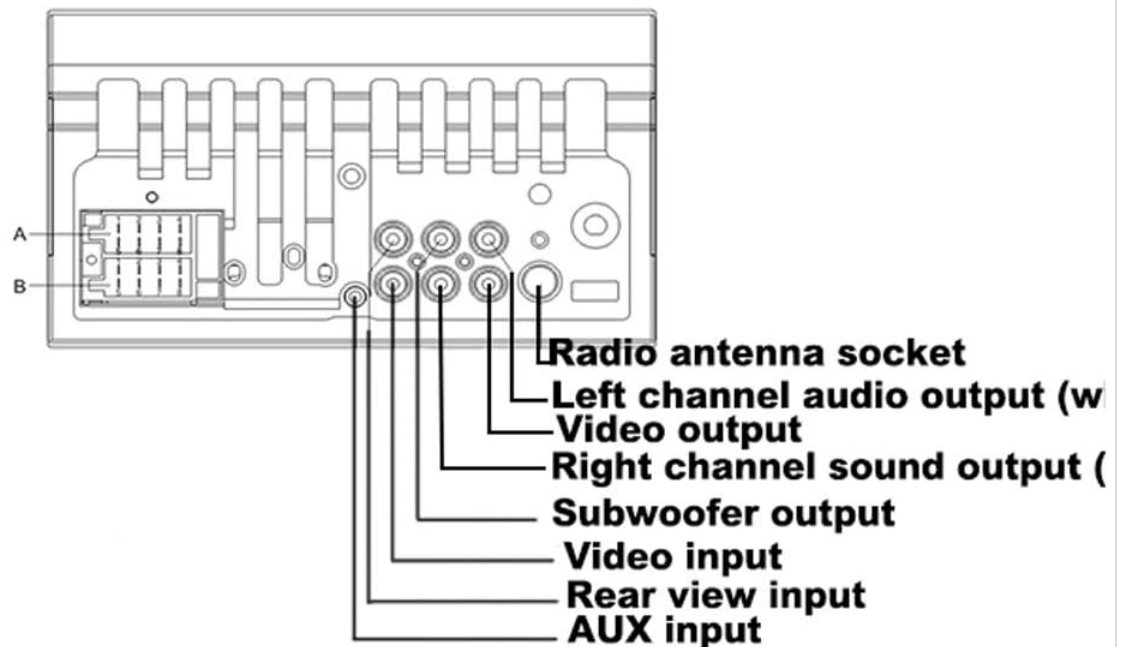
## 3. SETUP

### 3.1 Installation Guidelines

Professional installation is recommended for this car stereo. Ensure the vehicle's power is disconnected before beginning installation. Mount the unit securely in a standard double DIN slot. Avoid installing the unit where it will be exposed to direct sunlight, excessive heat, dust, or vibration.

### 3.2 Wiring Diagram

Refer to the diagram below for proper wiring connections. Incorrect wiring can damage the unit or the vehicle's electrical system.



- A-1 Purple line** — Rear right speaker output positive
- A-2 Gray line** — Rear left speaker output positive
- A-3 White line** — Front left speaker output positive
- A-4 Green line** — Rear left speaker output positive
- A-5 Purple black line** — Rear right speaker output negative
- A-6 Gray black line** — Front right speaker output negative
- A-7 White black line** — Front left speaker output negative
- A-8 Green black line** — Rear left speaker output negative



- B-1 White line** — Rear view monitoring
- B-3 Blue line** — Automatic antenna
- B-4 Red line** — Ignition Switch
- B-6 Yellow line** — Battery positive
- B-8 Black line** — Battery negative

Image: Detailed wiring diagram for the WEPARTICULAR AV870 car stereo, showing connections for power, speakers, video, and auxiliary inputs.

### Wiring Connections (A - Speaker Output)

- **A-1 Purple line:** Rear right speaker output positive
- **A-2 Gray line:** Rear left speaker output positive
- **A-3 White line:** Front left speaker output positive
- **A-4 Green line:** Rear left speaker output positive
- **A-5 Purple black line:** Rear right speaker output negative
- **A-6 Gray black line:** Front right speaker output negative
- **A-7 White black line:** Front left speaker output negative
- **A-8 Green black line:** Rear left speaker output negative

### Wiring Connections (B - Power & Control)

- **B-1 White line:** Rear view monitoring (for reverse camera trigger)
- **B-3 Blue line:** Automatic antenna (power output for auto antenna)
- **B-4 Red line:** Ignition Switch (ACC power)
- **B-6 Yellow line:** Battery positive (constant 12V power)
- **B-8 Black line:** Battery negative (ground)

Additional connections include: Radio antenna socket, Left channel audio output, Right channel sound output, Subwoofer output, Video output, Rear view input, and AUX input.

## 4. OPERATING INSTRUCTIONS

---

### 4.1 Power On/Off

Press the power button (usually marked with a power symbol) on the front panel to turn the unit on or off. The unit will automatically power on when the vehicle's ignition is turned on, if wired correctly.

### 4.2 Touch Screen Interface

Navigate through menus and functions by touching the icons on the 7-inch display. Swipe gestures may be supported for certain functions.

### 4.3 Bluetooth Function

The AV870 supports Bluetooth for hands-free calling and audio streaming.

1. **Pairing:** On the main menu, select the 'BT' (Bluetooth) icon. Enable Bluetooth on your mobile device and search for available devices. Select 'AV870' from the list. Enter the default PIN (usually '0000' or '1234') if prompted.
2. **Hands-Free Calling:** Once paired, you can make and receive calls directly through the car stereo. Use the touch screen to dial numbers, answer, or end calls.
3. **Audio Streaming:** Play music from your paired mobile device. Control playback (play/pause, skip tracks) from the stereo's touch screen.

# Support Bluetooth link hands-free call

## Support Bluetooth link function

### Free connection within 10 meters

### Hands-free calling, easy driving, safe



Image: The AV870 car stereo display showing the Bluetooth interface, indicating hands-free calling and music streaming capabilities.

#### 4.4 Radio (FM/AM/RDS)

Access the radio function from the main menu.

1. **Station Search:** Use the 'Search' or 'Scan' function to automatically find and store available radio stations. Manual tuning is also available.
2. **Presets:** Save your favorite stations to the preset buttons for quick access. The unit supports up to 18 FM radio presets.
3. **RDS:** If available in your region, RDS (Radio Data System) provides additional information such as station name and program type.

# Support FM/AM radio

## Support digital radio tuning

### Frequency modulation range: 87.5MHz-108.00MHz



Image: The AV870 car stereo display showing the FM radio interface with frequency display and station controls.

## 4.5 Media Playback (USB/SD/AUX)

The AV870 supports playback from USB drives, SD cards, and external devices via AUX input.

1. **USB/SD Card:** Insert a USB drive into the USB port or an SD card into the SD card slot. The unit will automatically detect the media and display its contents. Select the desired audio or video file for playback.
2. **AUX Input:** Connect an external audio device (e.g., MP3 player, smartphone) to the AUX-in port using a 3.5mm audio cable. Select 'AUX' from the main menu to play audio from the connected device.

**Support USB/AUX/SD card interface**  
**Support MP3/WMA/WMV/APE and other audio formats**  
**Support mp4/3GP/AVI/FLV/MPG/RWVB video and JPG picture playback.**



Image: The AV870 car stereo showing its USB, AUX, and SD card input options, along with compatible media devices.

#### 4.6 Rear View Camera Function

If a rear view camera is connected (sold separately) and wired correctly, the stereo will automatically display the camera feed when the vehicle is shifted into reverse gear. This function enhances parking safety.

# Bluetooth Car MP5 Player

AM/FM/MP5/RDS/ Bluetooth



Image: The AV870 car stereo displaying a rear view camera feed, illustrating its parking assistance feature.

## 4.7 Audio Settings

Access the 'Settings' menu to adjust audio parameters such as:

- **Equalizer (EQ):** Select from preset EQ modes or customize bass, treble, and other frequency bands.
- **Balance/Fader:** Adjust the audio output balance between left/right speakers and front/rear speakers.
- **Volume:** Control the overall audio output level.

## 5. MAINTENANCE

To ensure the longevity and optimal performance of your car stereo, follow these maintenance guidelines:

- **Cleaning the Screen:** Use a soft, lint-free cloth to gently wipe the touch screen. For stubborn smudges, slightly dampen the cloth with water or a screen-safe cleaner. Avoid harsh chemicals or abrasive materials.
- **General Cleaning:** Keep the unit free from dust and debris. Use a soft brush or compressed air to clean vents and button

areas.

- **Avoid Liquids:** Do not expose the unit to liquids. In case of accidental spills, power off the unit immediately and allow it to dry completely before use.
- **Temperature:** Avoid extreme temperatures. Do not leave the unit in direct sunlight for extended periods in a parked car.

## 6. TROUBLESHOOTING

If you encounter issues with your AV870 car stereo, refer to the following common problems and solutions:

Problem	Possible Cause	Solution
No power	Incorrect wiring; Blown fuse; Vehicle ignition off	Check power and ground connections. Inspect vehicle fuses. Ensure ignition is on.
No sound	Incorrect speaker wiring; Volume too low; Mute function active; Incorrect audio source selected	Verify speaker connections. Increase volume. Check if mute is active. Select correct audio source (e.g., FM, Bluetooth, USB).
Bluetooth not connecting	Bluetooth not enabled on device/stereo; Device out of range; Incorrect pairing process	Ensure Bluetooth is active on both devices. Move device closer. Re-attempt pairing process.
USB/SD card not recognized	Incompatible format; Corrupted media; Improper insertion	Ensure media is formatted correctly (FAT32). Try a different USB/SD card. Reinsert media securely.
Rear view camera not displaying	Incorrect wiring; Camera malfunction; Vehicle not in reverse	Check camera video input and trigger wire connections. Test camera. Ensure vehicle is in reverse.

If the problem persists after attempting these solutions, please contact customer support.

## 7. SPECIFICATIONS

The following are the technical specifications for the WEPARTICULAR AV870 car stereo:

Feature	Specification
Brand	WEPARTICULAR
Model Number	AV870
Display	7-inch HD Touch Screen
Connectivity Technology	Auxiliary, Bluetooth, USB
Special Features	RDS, Touchscreen
Compatible Devices	Smartphone, Speaker
Connector Type	3.5mm Jack, USB
Audio Output Mode	Stereo

Feature	Specification
Number of Channels	4
Control Method	Touch
Wireless Communication Technology	Bluetooth
Audio Playback Formats	DIS, MP3, WMA, ACC, OGG, WAV, RA, AC3, MP2, AMR, APE, FLAC
Video Playback Formats	AVI, MP4, FLV, PMP, RM, RMVB, MPG
Picture Formats	JPEG

## 8. WARRANTY AND SUPPORT

---

For warranty information and technical support, please refer to the documentation provided at the time of purchase or contact WEPARTICULAR customer service. Keep your purchase receipt as proof of purchase for warranty claims.

**Customer Service:** Please visit the official WEPARTICULAR website or contact your retailer for support contact details.