

[Manuals.plus](#) /

> [Marine Color](#) /

> Marine Color Aquarium Filter Canister Kit Instruction Manual

## Marine Color HW-303A/B HW-403A/B HW-703A/B

# Marine Color Aquarium Filter Canister Kit Instruction Manual

Model: HW-303A/B, HW-403A/B, HW-703A/B

## INTRODUCTION

This manual provides detailed instructions for the installation, operation, and maintenance of your Marine Color Replacement Accessories Canister Kit. This kit is designed as an original replacement for Sunsun aquarium filters, specifically compatible with models HW-303A/B, HW-403A/B, and HW-703A/B.

The kit includes essential components for your aquarium filtration system:

- Complete inlet pipe assembly
- Complete outlet pipe assembly
- Inlet/Outlet Quick Shut-Off Valve
- Hoses
- Surface Skimmer

The inlet pipe is adjustable from 11 to 17 inches and can connect to the included surface skimmer. The outlet pipe offers adjustable flow and can connect to either rainfall tubes or duck flat nozzles, both of which are typically part of the kit for versatile water dispersion.

## PACKAGE CONTENTS

Upon opening the package, verify that all components are present and undamaged. Refer to the image below for a visual representation of the kit contents.

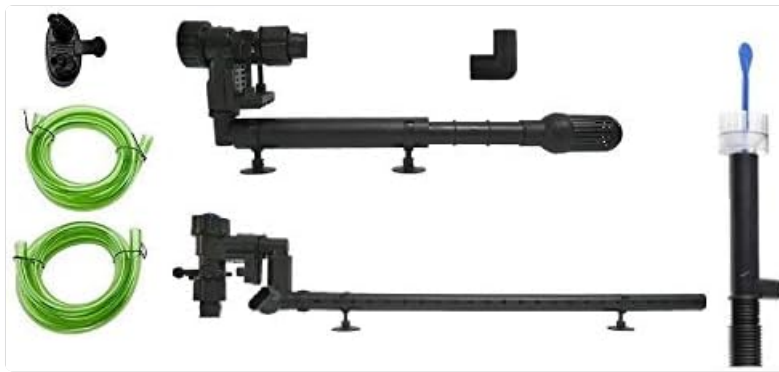


Figure 1: Overview of the Marine Color Replacement Accessories Canister Kit, showing the inlet and outlet pipe assemblies, quick shut-off valve, hoses, and surface skimmer.

## SETUP AND INSTALLATION

- 1. Prepare the Canister Filter:** Ensure your Sunsun aquarium canister filter (HW-303A/B, HW-403A/B, or HW-703A/B) is clean and ready for connection.
- 2. Connect Hoses to Quick Shut-Off Valve:** Attach the provided hoses to the inlet and outlet ports of the quick shut-off valve. Ensure a secure fit. It is recommended to use hose clamps (not included) for added security to prevent leaks.
- 3. Install Inlet Pipe Assembly:**
  - Connect the inlet pipe assembly to the inlet side of the quick shut-off valve.
  - Assemble the surface skimmer to the adjustable inlet pipe. The inlet pipe can be adjusted in length from 11 to 17 inches to suit your aquarium depth.
  - Position the inlet pipe and surface skimmer inside your aquarium, ensuring the skimmer is at the water surface for effective debris removal. Use the suction cups to secure the pipe to the aquarium glass.
- 4. Install Outlet Pipe Assembly:**
  - Connect the outlet pipe assembly to the outlet side of the quick shut-off valve.
  - Choose your preferred water dispersion method:



Figure 2: Two duck flat nozzles for directed water flow.



Figure 3: Rainfall tubes (perforated pipe) for diffused water return.

- **Rainfall Tubes:** Assemble the perforated pipe sections to create a spray bar effect. This provides gentle, even water distribution and aeration.
  - **Duck Flat Nozzles:** Attach the duck flat nozzles for a more directed water flow, which can be useful for specific circulation patterns.
- Position the outlet pipe inside your aquarium and secure it with suction cups.
5. **Connect to Canister Filter:** Connect the quick shut-off valve to the corresponding inlet and outlet ports on your Sunsun canister filter. Ensure the connections are tight and secure.
  6. **Check for Leaks:** Before powering on your filter, slowly open the quick shut-off valve and fill the hoses and pipes with water. Carefully inspect all connections for any signs of leaks. Tighten connections as necessary.

## OPERATING INSTRUCTIONS

---

1. **Quick Shut-Off Valve:** The quick shut-off valve allows you to easily disconnect the hoses from the canister filter for maintenance without draining the aquarium. To operate, simply close the valve levers to stop water flow, then use the quick-release mechanism to detach the valve from the filter. Ensure the valve is fully open during normal operation.
2. **Adjusting Water Flow:** The outlet pipe assembly features an adjustable flow control.



Figure 4: Close-up of the adjustable flow control on the outlet pipe.

Rotate the blue cap on the outlet assembly to increase or decrease the water flow returning to your aquarium. Adjust as needed to achieve optimal circulation and aeration for your specific tank setup.

3. **Surface Skimmer Operation:** The surface skimmer on the inlet pipe continuously draws water from the surface of your aquarium, effectively removing unsightly oil film and floating debris. Ensure the skimmer's intake is positioned just at the water line for maximum efficiency.

## MAINTENANCE

---

Regular maintenance of your Marine Color replacement accessories will ensure optimal performance and longevity of your aquarium filtration system.

- **Cleaning Pipes and Skimmer:** Periodically disconnect the inlet and outlet pipe assemblies from the quick shut-off valve and clean them thoroughly. Use a pipe brush to remove any algae or debris buildup that can restrict flow. Pay special attention to the surface skimmer intake and the rainfall tube perforations.
- **Hose Inspection:** Inspect the hoses for kinks, cracks, or signs of wear. Replace hoses if they show any damage to prevent leaks.
- **Valve Inspection:** Check the quick shut-off valve for smooth operation and ensure the seals are intact. Clean any debris that might hinder its function.
- **Connection Security:** Regularly verify that all connections, especially those to the canister filter and between pipe sections, are securely fastened. Consider using external hose clamps for critical connections to enhance leak prevention.

## TROUBLESHOOTING

---

If you encounter issues with your Marine Color replacement accessories, refer to the following common troubleshooting steps:

- **Reduced Water Flow:**
  - Check if the quick shut-off valve is fully open.
  - Inspect the inlet and outlet pipes, hoses, and skimmer for blockages (e.g., algae, debris). Clean as necessary.

- Ensure the adjustable flow control on the outlet is set to the desired level.

- **Leaks at Connections:**

- Ensure all threaded connections and hose fittings are tightened securely. Do not overtighten plastic components.
- Verify that O-rings and gaskets within the quick shut-off valve are properly seated and not damaged.
- Consider using additional hose clamps on hose connections for extra security.

- **Surface Skimmer Not Working Effectively:**

- Ensure the skimmer intake is positioned correctly at the water surface.
- Check for blockages within the skimmer mechanism or the inlet pipe.

## SPECIFICATIONS

Attribute	Detail
<b>Brand</b>	Marine Color
<b>Compatible Models</b>	Sunsun HW-303A/B, HW-403A/B, HW-703A/B
<b>Material</b>	Durable Plastic (components may include brass elements as per manufacturer specifications)
<b>Inlet Pipe Adjustment</b>	11 - 17 inches (approx.)
<b>Inlet Connection Type</b>	Female Iron Pipe (as per manufacturer specification)
<b>Outlet Connection Type</b>	G Connector (as per manufacturer specification)
<b>Number of Ports (Quick Valve)</b>	2
<b>Outlet Connection Size</b>	1.5 Inches (as per manufacturer specification)
<b>Item Weight</b>	3.3 pounds
<b>Package Dimensions</b>	11.34 x 8.27 x 6.73 inches

## WARRANTY AND SUPPORT

For information regarding product warranty, please refer to the terms and conditions provided by your retailer or contact Marine Color directly. Keep your proof of purchase for any warranty claims.

If you require further assistance or have questions not covered in this manual, please contact the seller or the manufacturer's customer support. Provide your product model number (HW-303A/B, HW-403A/B, HW-703A/B) and a detailed description of your issue for efficient support.

