

Hormann 638179

Hormann A460 Control Unit Instruction Manual

Model: 638179

1. PRODUCT OVERVIEW

The Hormann A460 Control Unit is a crucial component designed as a base and power board for various Hormann industrial drives. This unit serves as a replacement part for A/B 435, A/B 440, A/B 445, A/B 460, and B460-FU controls, ensuring continued operation and compatibility within industrial gate and door systems.



Figure 1: Front view of the Hormann A460 Control Unit, showing various connectors and components.

2. SAFETY INSTRUCTIONS

Before installation, operation, or maintenance, carefully read and understand all safety instructions. Failure to comply with these instructions may result in serious injury or damage to the equipment.

- Ensure power is disconnected before any installation or maintenance work.
- Installation and repairs must only be performed by qualified personnel.
- Protect the unit from moisture, dust, and extreme temperatures.
- Do not modify the unit or its components.

3. SETUP AND INSTALLATION

This section outlines the general steps for installing the Hormann A460 Control Unit. Specific wiring diagrams and detailed instructions for your particular industrial drive model should be referenced from the drive's dedicated manual.

1. **Preparation:** Disconnect all power to the industrial drive system. Ensure the work area is clean and well-lit. Gather necessary tools, including screwdrivers, wire strippers, and a multimeter.
2. **Removal of Old Unit (if applicable):** Carefully disconnect all wiring from the existing control unit, noting the position and function of each wire. Take photographs for reference if needed. Unmount the old unit from its housing.
3. **Mounting the A460 Unit:** Securely mount the new Hormann A460 Control Unit into the designated housing. Ensure it is firmly seated and all mounting points are utilized.
4. **Wiring Connections:** Connect all necessary power, motor, and control wiring to the A460 unit's terminals. Refer to the wiring diagram provided with your specific Hormann industrial drive. Pay close attention to polarity and terminal designations.
5. **Initial Power-Up:** Once all connections are secure and verified, restore power to the system. Observe the unit for any error indicators or unusual behavior.

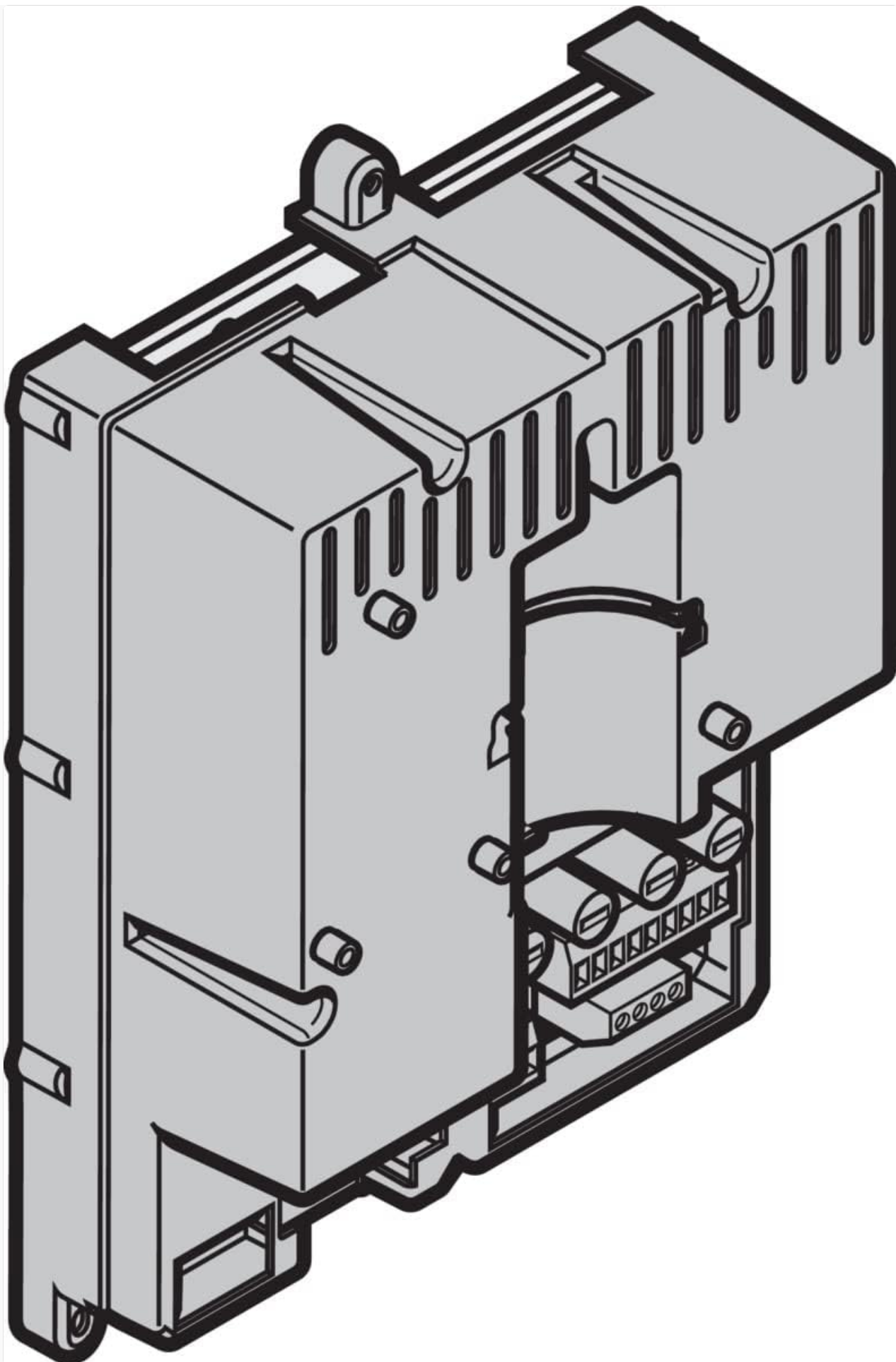


Figure 2: Schematic diagram illustrating the layout and connection points of the Hormann A460 Control Unit.

4. OPERATING INSTRUCTIONS

The Hormann A460 Control Unit functions as the core logic and power distribution board for compatible industrial drives. Its operation is integrated with the overall drive system. Refer to your specific industrial drive's manual for detailed operational procedures, including programming, setting limits, and using external control devices. Typically, after successful installation and power-up, the unit will be ready to receive commands from the drive's main control panel or remote access systems. Indicators on the unit (if present) may show power status or error codes.

5. MAINTENANCE

Regular maintenance ensures the longevity and reliable operation of the Hormann A460 Control Unit and the associated industrial drive system.

- **Visual Inspection:** Periodically inspect the unit for any signs of physical damage, loose connections, or dust accumulation.
- **Cleaning:** If dust or debris is present, gently clean the unit using a soft, dry brush or compressed air. Ensure power is off before cleaning. Do not use liquid cleaners.
- **Connection Check:** Verify that all electrical connections are secure and free from corrosion.
- **Environmental Control:** Ensure the operating environment remains within specified temperature and humidity ranges to prevent component degradation.

6. TROUBLESHOOTING

This section provides general troubleshooting tips for common issues. For complex problems, consult a qualified technician or Hormann support.

Problem	Possible Cause	Solution
Unit not powering on.	No power supply; loose power connection; faulty unit.	Check power source and connections. Verify input voltage. If problem persists, unit may require replacement.
Industrial drive not responding.	Incorrect wiring; faulty control signal; drive motor issue.	Verify all control wiring according to the drive manual. Check for proper signal input. Consult drive manual for motor diagnostics.
Intermittent operation.	Loose connections; environmental interference; component degradation.	Inspect all connections. Ensure proper grounding. Check for stable power supply.

7. SPECIFICATIONS

Key technical specifications for the Hormann A460 Control Unit (Model: 638179).

Manufacturer: HÖRMANN

Model Number: 638179

Product Dimensions (L x W x H): 10 x 10 x 10 cm (approximately 3.94 x 3.94 x 3.94 inches)

Item Weight: 1 kilogram (approximately 2.2 pounds)

Batteries Required: No

Assembly Required: No (unit comes pre-assembled)

ASIN: B09244BCJQ

Date First Available on Amazon.com.be: November 19, 2020

8. WARRANTY AND SUPPORT

For warranty information, please refer to the documentation provided with your complete Hormann industrial drive system or contact Hormann customer service directly. This A460 control unit is typically a replacement part, and its warranty may be covered under the larger system's warranty.

For technical support, spare parts, or service inquiries, please contact your authorized Hormann dealer or visit the official Hormann website for contact details in your region.

© 2024 Hormann. All rights reserved.

This manual is for informational purposes only. Specifications are subject to change without notice.