

[Manuals.plus](#) /

> [REGILLER](#) /

> REGILLER 5-Tier Metal Wire Storage Shelf Unit (Model: 11.8D x 16.6W x 53.5H) Instruction Manual

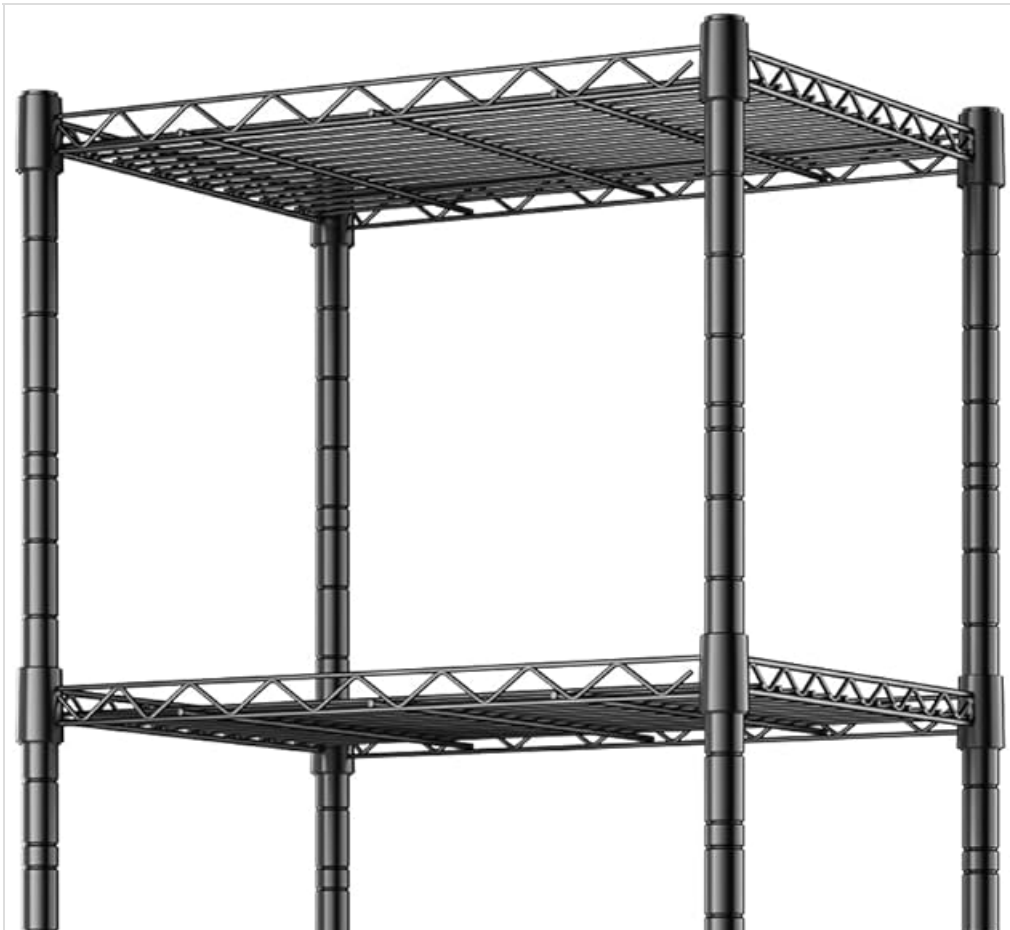
REGILLER 11.8D x 16.6W x 53.5H

REGILLER 5-Tier Metal Wire Storage Shelf Unit Instruction Manual

Model: 11.8D x 16.6W x 53.5H

1. INTRODUCTION AND OVERVIEW

This manual provides detailed instructions for the assembly, use, and maintenance of your REGILLER 5-Tier Metal Wire Storage Shelf Unit. Designed for versatile storage, this unit features adjustable shelves and a sturdy metal construction, making it suitable for various environments such as laundry rooms, bathrooms, kitchens, pantries, and closets.



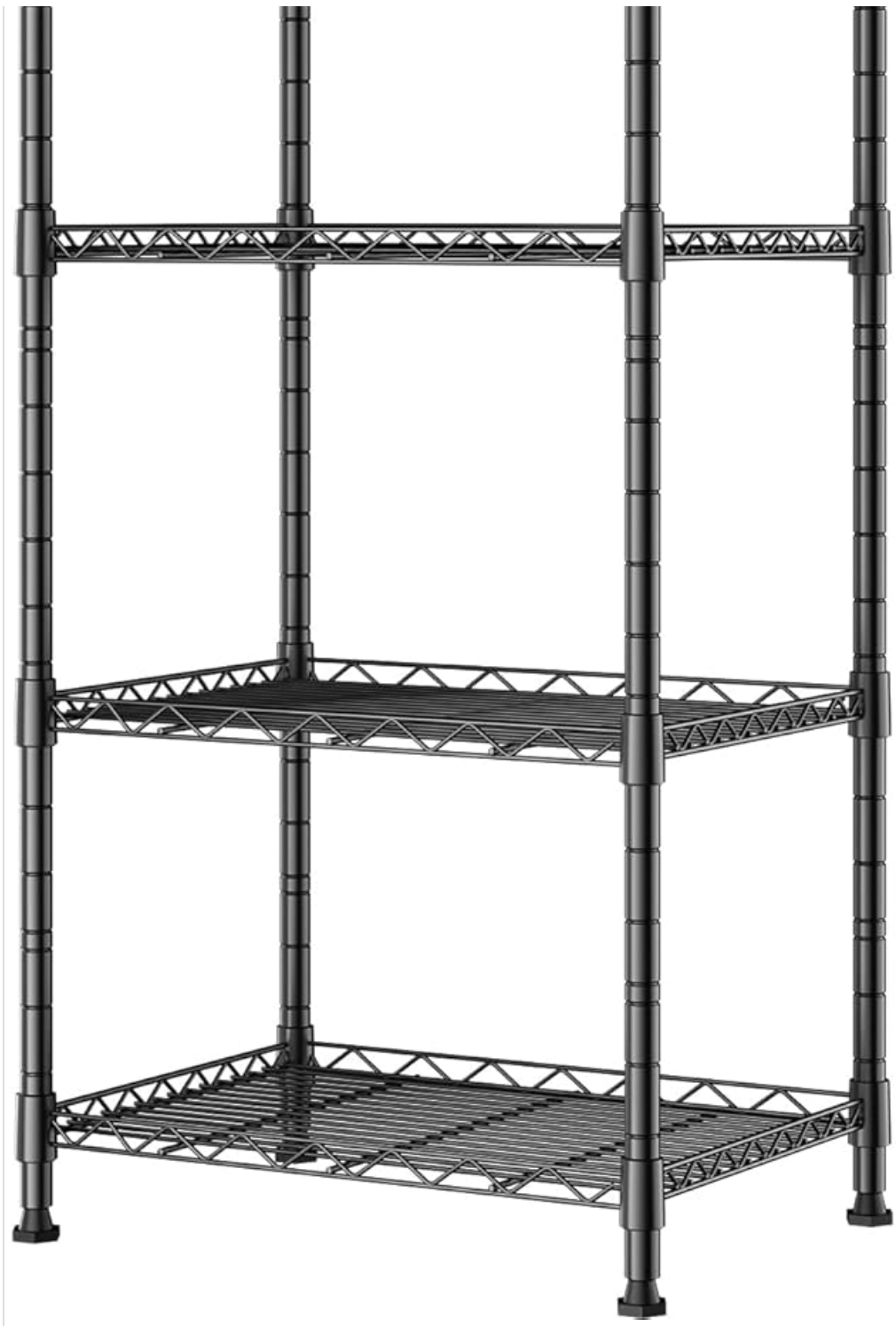


Figure 1: REGILLER 5-Tier Metal Wire Storage Shelf Unit (Black)

2. PRODUCT FEATURES

- **Premium Materials:** Constructed from strong steel tubing with a 'spider web' design, ensuring stability and sturdiness. The total static maximum load weight is 500 lbs.
- **No Tools Assembly:** Designed for easy, tool-free installation.
- **Adjustable Shelves:** The height of each shelf is adjustable to meet specific storage needs.
- **Adjustable Feet:** Equipped with adjustable feet to ensure stability on uneven surfaces.
- **Corrosion Resistant:** The shelf is specially coated to protect against water, rust, and corrosion, making it suitable for kitchen or bathroom environments.
- **Smart Storage:** With dimensions of 11.8"D x 16.6"W x 53.5"H, this unit is ideal for narrow spaces or

room corners, providing efficient storage for various items.

3. PACKAGE CONTENTS

Please verify that all parts are present before beginning assembly. If any parts are missing or damaged, please contact customer support.

Part	Description	Quantity
A	Lower Pole	4
B	Middle Pole	8
C	Upper Pole	4
D	Shelves	5
E	Plastic Clips (includes 8 spare)	48
F	Adjustable Feet	4

4. SETUP AND ASSEMBLY INSTRUCTIONS

The REGILLER 5-Tier Metal Wire Storage Shelf Unit is designed for easy, tool-free assembly. Follow these steps carefully:

- 1. Attach Adjustable Feet:** Screw the four adjustable feet (F) into the bottom of the four lower poles (A). Adjust them to ensure the base is level.
- 2. Install Plastic Clips:** Place the two-part plastic clips (E) around the poles at the desired height for your first shelf. Ensure the arrows on the plastic clips point upwards and that the clips are placed at the same level on all four poles. The gaps between the clips are designed for easy installation. Do not install clips at a double groove; a single groove is less likely to cause height misalignment and is more secure.
- 3. Assemble First Shelf:** Slide the first shelf (D) down slowly over the poles until all four sleeves fit snugly onto the plastic clips. Ensure the shelf is level and securely seated.
- 4. Connect Middle Poles:** Insert the middle poles (B) into the top of the lower poles (A).
- 5. Repeat for Remaining Shelves:** Continue installing plastic clips and shelves, followed by connecting additional middle poles, until all five shelves are in place.
- 6. Install Upper Poles:** Attach the upper poles (C) to the top of the last set of middle poles.
- 7. Final Shelf:** Install the final shelf onto the upper poles using plastic clips.
- 8. Check Stability:** Once fully assembled, gently shake the unit to ensure all connections are secure and the unit is stable. Adjust the feet as necessary to eliminate any wobbling.



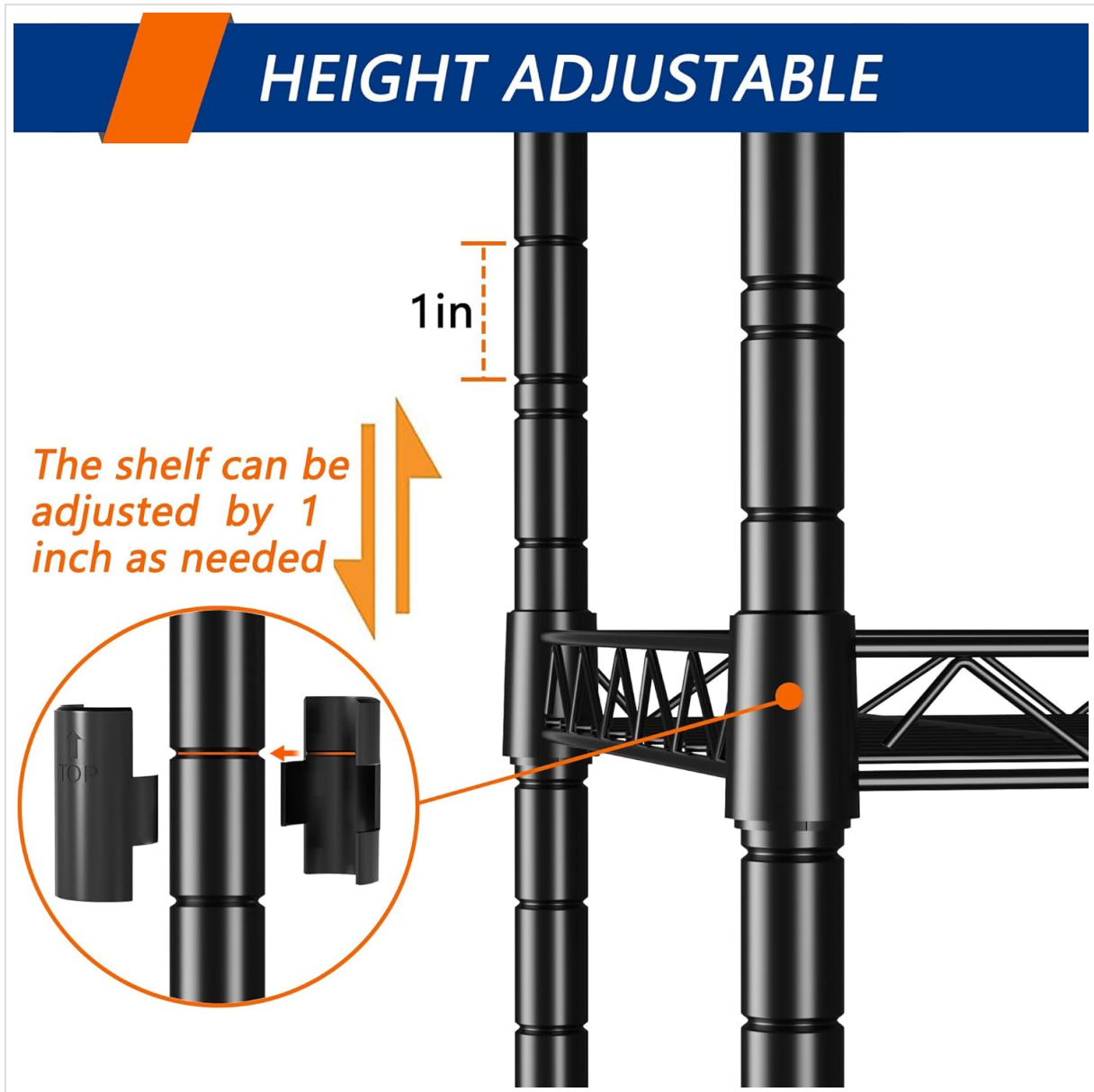


Figure 3: Height Adjustable Shelf Mechanism

ADJUSTABLE FFET



Figure 4: Adjustable Leveling Feet

5. OPERATING INSTRUCTIONS (USAGE)

This shelving unit is designed for organizing various items in your home or office. To ensure optimal performance and safety:

- **Weight Distribution:** Distribute weight evenly across the shelves. Avoid placing excessively heavy items on a single point or shelf. The maximum weight limit is 500 lbs for the entire unit.
- **Adjusting Shelf Height:** To adjust a shelf's height, remove all items from the shelf. Carefully lift the shelf off the plastic clips. Remove the clips, reposition them at the desired height on the poles, and then re-seat the shelf. Ensure clips are level on all four poles for stability.
- **Placement:** Position the shelf unit on a flat, stable surface. Use the adjustable feet to compensate for any unevenness in the floor.
- **Anti-Slip Design:** The shelves feature an anti-slip border to help prevent items from sliding off.

ANTI-SLIP BORDER



Figure 5: Anti-Slip Border Feature

6. MAINTENANCE

To maintain the condition and longevity of your REGILLER storage shelf unit:

- **Cleaning:** Wipe the unit with a dry cloth to remove dust and debris. For tougher spots, a damp cloth can be used, followed by drying thoroughly. Avoid abrasive cleaners.
- **Corrosion Protection:** The special coating provides protection against water, rust, and corrosion. However, prolonged exposure to excessive moisture should be avoided to preserve the finish.
- **Regular Inspection:** Periodically check all connections and ensure the shelves are securely seated on the plastic clips. Re-tighten adjustable feet if necessary.

7. TROUBLESHOOTING

If you encounter any issues with your shelving unit, please refer to the following common solutions:

- **Unit is Wobbly:** Ensure all adjustable feet are properly screwed in and adjusted to create a stable base. Check that all plastic clips are securely fastened at the same height on each pole.
- **Shelf Not Level:** Verify that the plastic clips supporting the shelf are positioned at identical heights on

all four poles. Adjust as needed.

- **Difficulty Assembling:** Review the assembly instructions carefully. Ensure poles are correctly oriented (lower, middle, upper) and plastic clips are snapped into place firmly.

For further assistance, please contact customer support.

8. SPECIFICATIONS

Specification	Detail
Brand	REGILLER
Model	11.8D x 16.6W x 53.5H
Product Dimensions	11.8"D x 16.6"W x 53.5"H
Number of Shelves	5
Weight Limit	500 Pounds
Material	Strength Steel Tube
Finish Type	Powder Coated
Color	Black
Assembly Required	Yes (Tool-free)
Recommended Uses	Bathroom, Closet, Garage, Kitchen, Laundry Room, Office
Product Care Instructions	Wipe with Dry Cloth
Item Weight	10.01 pounds
UPC	725683513530

Laundry Room



Figure 6: Product Dimensions

9. SAFETY INFORMATION

WARNING:

- Always follow the assembly instructions provided.
- Ensure the shelf is securely installed and stable before placing items on it.
- Do not exceed the maximum weight limit of 500 lbs for the entire unit to prevent personal injury or property damage.
- Distribute weight evenly across the shelves.
- Keep small parts away from children during assembly.

10. CUSTOMER SUPPORT

We are committed to providing the best solution within 24 hours. If you encounter any issues, such as missing parts or assembly difficulties, please do not hesitate to contact us via Buyer Message. Our team is ready to assist you.

