

FOLAI CG-ton-173

FOLAI Cable Tie Base and Zip Tie Kit Instruction Manual

Model: CG-ton-173

INTRODUCTION

This manual provides instructions for the proper installation and use of the FOLAI Cable Tie Base and Zip Tie Kit. This kit is designed to help organize and secure cables and wires in various environments, ensuring a tidy and safe setup.

SAFETY INFORMATION

- Ensure all power is disconnected from electrical wires before handling or organizing them.
- Use appropriate tools for installation.
- Keep small components away from children to prevent choking hazards.
- Do not overtighten zip ties on delicate cables.

PACKAGE CONTENTS

The FOLAI Cable Tie Base and Zip Tie Kit includes the following components:

- 50 x White Cable Tie Bases (Saddle Type Mount)
- 50 x White Self-Locking Cable Zip Ties (6 inches long)
- 50 x #8 x 0.6 Inch Deep Thread Pan Head Screws

50PCS



50PCS



50PCS



Image: Overview of the kit components, showing 50 white cable tie bases, 50 white zip ties, and 50 black screws.

SPECIFICATIONS

Feature	Detail
Brand	FOLAI
Model Number	CG-ton-173
Material	Nylon
Color	White
Cable Tie Base Dimensions (L x W x H)	22mm (0.86in) x 15mm (0.59in) x 10mm (0.39in)
Cable Tie Length	150mm (6 inches)
Cable Tie Width	3mm (0.12 inches)
Screw Size	#8 x 0.6 Inch Pan Head
Quantity	50 pieces of each component

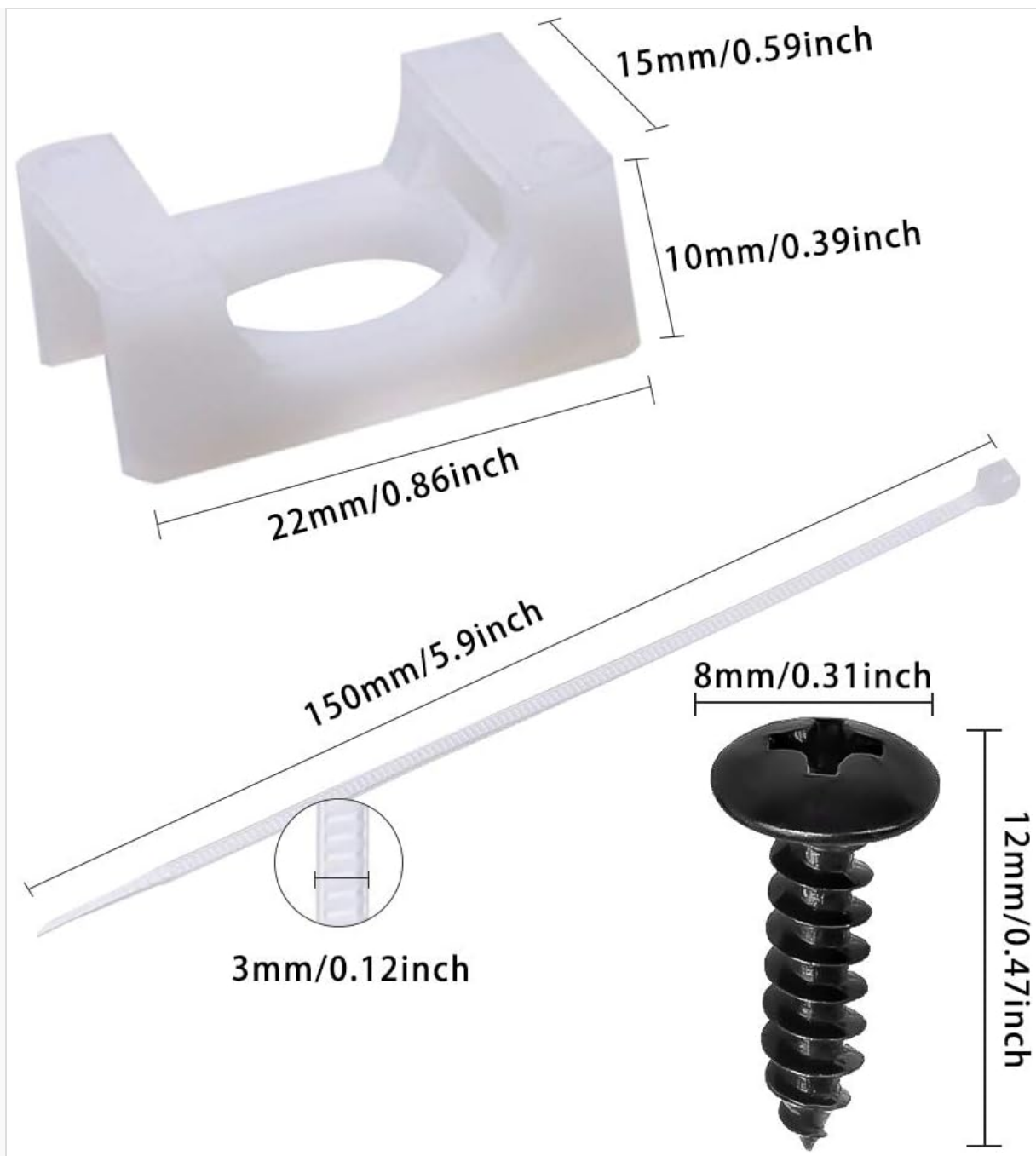


Image: Detailed dimensions for the cable tie base, zip tie, and screw components.

INSTALLATION INSTRUCTIONS

Follow these steps to install the cable tie bases and secure your cables:

1. Step 1: Mark and Fix the Base

Choose the desired location for your cable management. Place a cable tie base on the surface and mark the screw hole. Using a suitable screwdriver, fix the cable tie base to the wall or surface with one of the provided screws. Ensure the base is securely fastened.

Easy to install

1



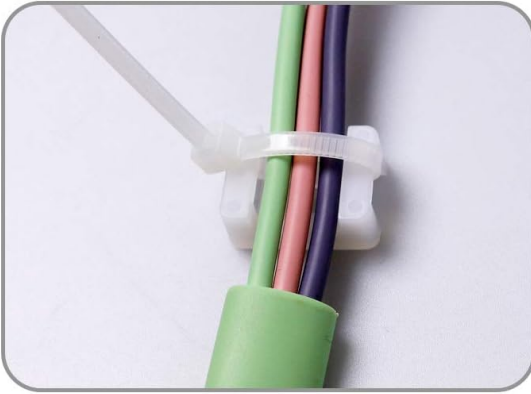
Fix the required wall with screws

2



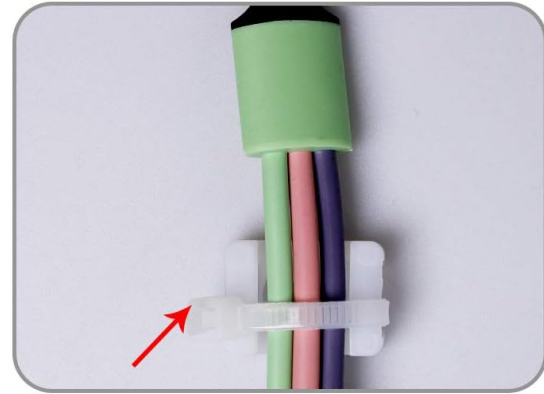
Put the cable tie into the fixed base

1



Put in the cable and tighten it firmly.

1



Cut off the excess cable tie

Image: Illustration of fixing the cable tie base to a surface using a screw.

2. Step 2: Insert the Cable Tie

Thread a self-locking cable zip tie through the slots in the fixed cable tie base. Ensure the locking mechanism of the zip tie is facing upwards for easy access.

3. Step 3: Position and Tighten Cables

Gather the cables you wish to organize and place them within the loop of the cable tie. Pull the free end of the zip tie through its locking head to secure the cables. Adjust the tightness to hold the cables firmly without crushing them.

4. Step 4: Trim Excess

Once the cables are securely bundled, use a pair of scissors or wire cutters to trim off any excess length of the zip tie for a neat appearance.

installation steps



Image: Visual guide demonstrating the four steps of installing the cable tie base and securing cables.

USAGE AND APPLICATIONS

The FOLAI Cable Tie Base and Zip Tie Kit is versatile and can be used in various scenarios for effective wire management:

- Organizing computer cables behind desks.
- Securing electrical wiring in home or office environments.
- Managing cables for entertainment systems.
- Tidying up wires in workshops or garages.
- Suitable for both indoor and outdoor applications where a secure mount is needed.

Different usage scenarios



Image: Examples of the cable tie bases used to organize cables in various settings, such as under a desk, along a wall, and within an electrical setup.



Image: A visual comparison showing a cluttered area of cables before organization and the same area after being tidied with cable ties.

MAINTENANCE

The FOLAI Cable Tie Base and Zip Tie Kit requires minimal maintenance. Periodically inspect installed bases and ties for any signs of wear or damage. Replace any damaged components to ensure continued cable security.

TROUBLESHOOTING

- **Cable Tie Not Holding:** Ensure the zip tie is correctly threaded through the locking head and pulled taut. If the tie breaks easily, it might be due to excessive force or a faulty tie; replace with a new one.
- **Base Not Secure:** Verify that the screw is fully tightened into a suitable surface. If the surface material is too soft or crumbly, the screw may not hold; consider using a wall anchor if necessary (not included).
- **Cables Too Loose:** Re-adjust the zip tie to a tighter setting. If the bundle is too large for one tie, use multiple ties or a larger tie (not included).

WARRANTY AND SUPPORT

For any questions, concerns, or support regarding your FOLAI Cable Tie Base and Zip Tie Kit, please refer to the seller's contact information on the purchase platform. Specific warranty details may vary by retailer.

© 2026 FOLAI. All rights reserved.