

Manuals.plus /

› BAOYOUNI /

› BAOYOUNI 3-Tier Corner Shower Caddy User Manual

BAOYOUNI 1

BAOYOUNI 3-Tier Corner Shower Caddy User Manual

Brand: BAOYOUNI | Model: 1

PRODUCT OVERVIEW

The BAOYOUNI 3-Tier Corner Shower Caddy is a versatile and space-saving storage solution designed for your bathroom. This tension rod organizer provides convenient storage for your essential bath accessories without the need for drilling, protecting your walls from damage. Its modern design helps keep your bathroom tidy and organized.

Key Features:

- **Multifunctional Storage:** Sturdy and durable caddy for organizing bathroom essentials in shower corners or bathtubs.
- **Durable & Adjustable Construction:** Features a telescopic inner tube for height adjustment, with three triangular wire trays equipped with hooks for drainage and hanging towels. A built-in spring ensures secure and convenient installation.
- **Customizable Tray Placement:** Rubber rings allow for adjustable height and angle of trays, accommodating various bottle sizes like shampoo, lotion, soaps, razors, and sponges.
- **No Drilling Required:** Tool-free installation that protects your walls. Anti-slip TPE pads on the rod ensure stability, with each tray supporting approximately 5 kg.
- **Material:** Constructed from stainless steel composite pipe, iron wire, and ABS for long-lasting use.

PACKAGE CONTENTS

Upon unpacking, please ensure all components are present and undamaged:

- 1 x Telescopic Tension Pole

- 3 x Triangular Wire Trays
- 6 x Hooks (pre-attached to trays or separate)
- Rubber Rings for tray adjustment
- Top Spring Mechanism
- Non-slip Base
- Adjustment Knob

Product Components Overview

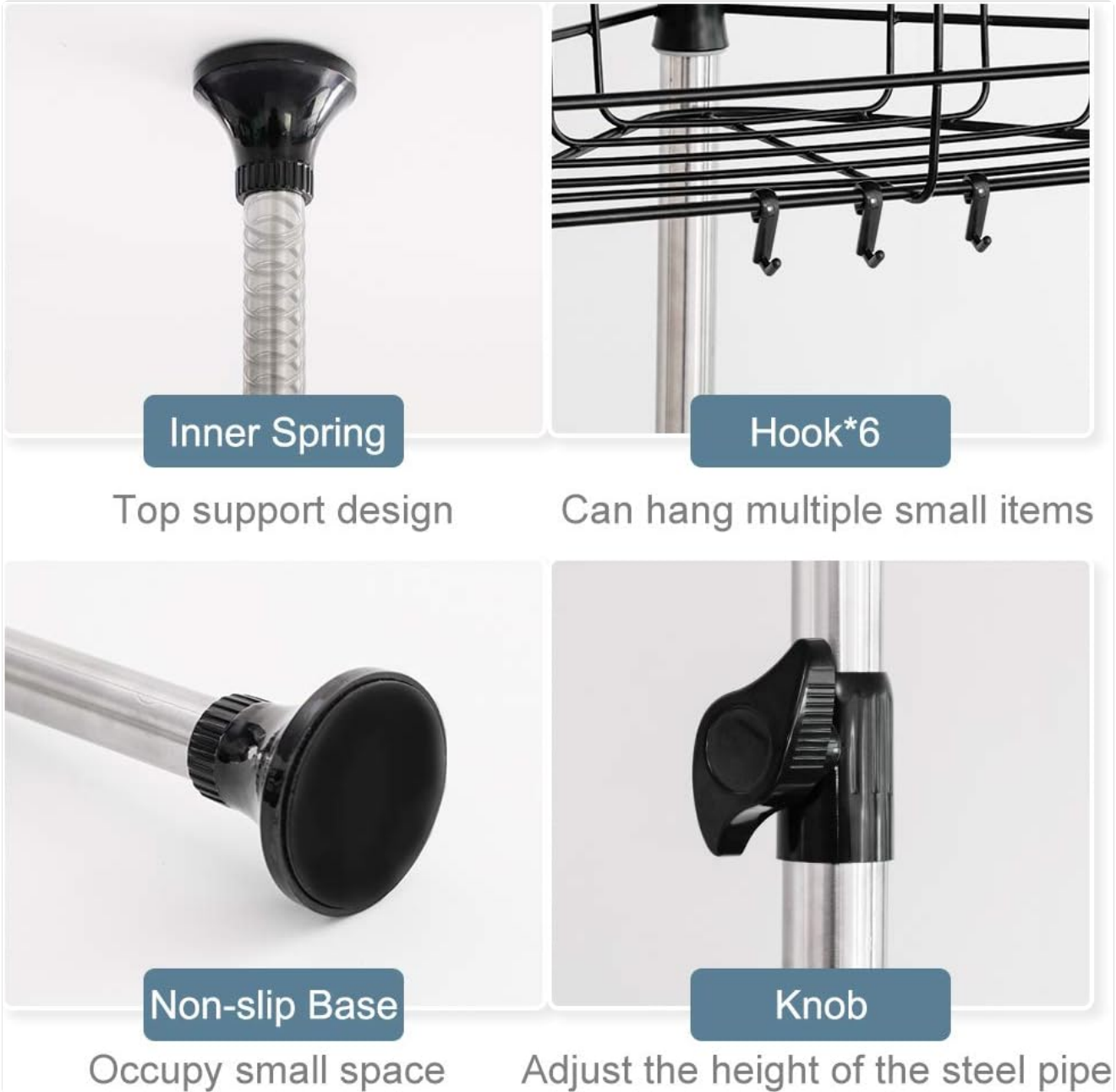


Figure 1: Key Components. This image illustrates the main parts of the shower caddy: the inner spring for tension, the hooks for hanging items, the non-slip base for stability, and the knob for height adjustment.

SPECIFICATIONS

Attribute	Detail
Brand	BAOYOUNI
Model Number	1
Product Dimensions	Approx. 1 x 1 x 1 cm (packed); 2.6 kg (weight)
Tier Count	3 Tiers
Color	Black
Finish	Polished
Material	Stainless steel composite pipe, Iron wire, ABS plastic
Shape	Triangular (for trays)
Mounting Type	Tension Rod (Floor-to-Ceiling or Bathtub-to-Ceiling)
Adjustable Height Range 1	185 cm - 240 cm (approx. 72.83" - 94.49") - Suitable for most bathtubs/vanities to ceiling.
Adjustable Height Range 2	255 cm - 310 cm (approx. 100.39" - 122.05") - Suitable for most bathrooms from floor to ceiling.
Special Features	Adjustable, No Drilling, Anti-slip pads, Integrated hooks
Max Load per Tray	Approx. 5 kg

Telescopic Main Pole Suitable for different space



Freely adjust Not restricted by height



Figure 2: Telescopic Pole Height Adjustment. This image demonstrates the two adjustable height ranges of the telescopic pole, making it suitable for various bathroom spaces.

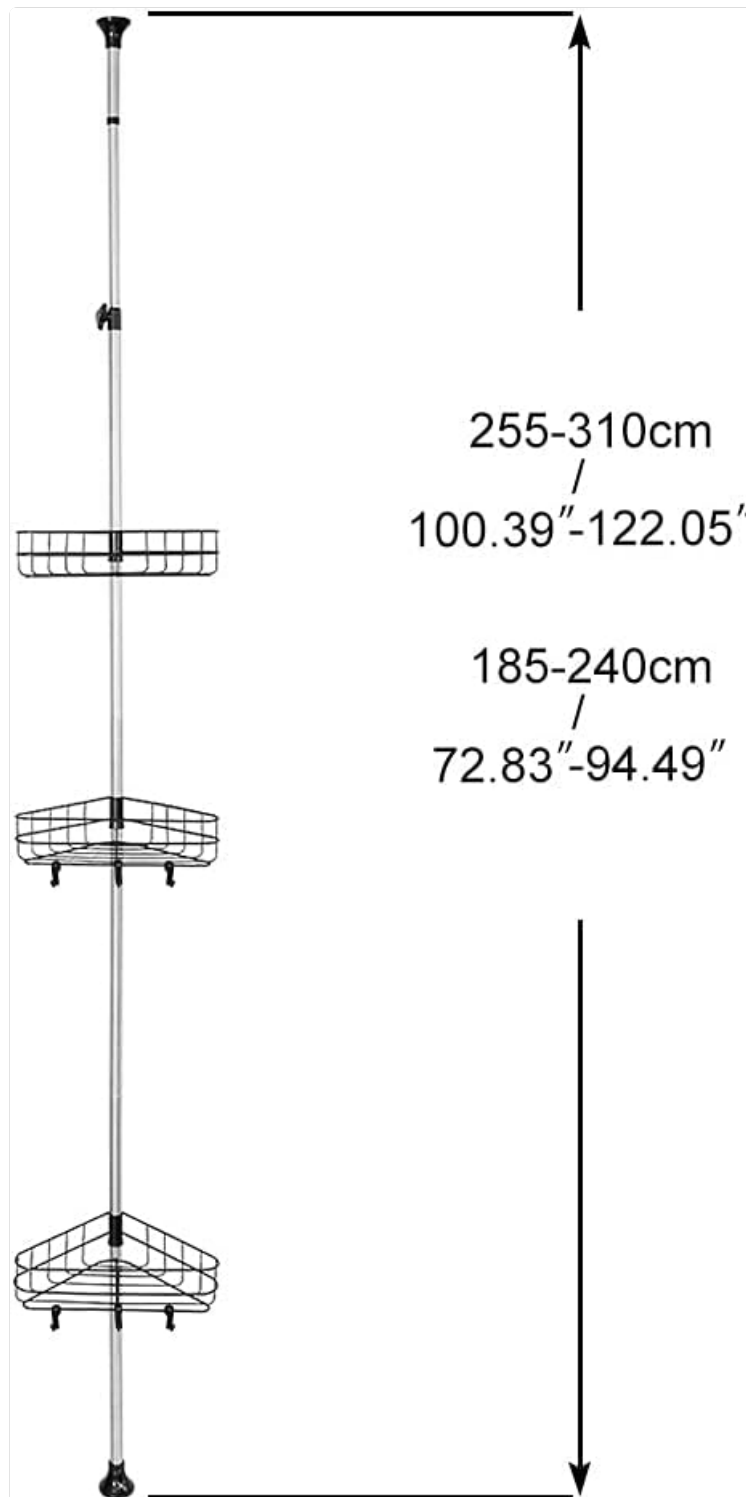


Figure 3: Full Height Range Diagram. A visual representation of the minimum and maximum heights the shower caddy can extend to, from 185 cm to 310 cm.

SETUP AND INSTALLATION

The BAOYOUNI shower caddy is designed for easy, tool-free installation using a tension rod mechanism. Follow these steps for a secure setup:

1. **Assemble the Pole:** Connect the pole sections if they are separate. Ensure the inner spring mechanism is at the top end of the pole.

2. **Determine Height:** Measure the height from your desired base (bathtub edge or floor) to the ceiling.
3. **Adjust Pole Length:** Extend the telescopic pole to a length slightly longer than your measured height. Use the adjustment knob to secure the length. The built-in spring will provide the necessary tension.
4. **Position the Caddy:** Place the non-slip base firmly on the floor or bathtub edge. Compress the top spring end against the ceiling, ensuring the pole is vertical and stable in the corner.
5. **Install Trays:** Slide the triangular wire trays onto the pole. Use the rubber rings to fix the trays at your desired heights and angles. Ensure the trays are level and securely positioned.
6. **Check Stability:** Gently push on the caddy to ensure it is firmly in place and does not wobble. Adjust tension if necessary.

Floor to Ceiling Bathroom Shelf

Punch-free
Easy to install

Adjustable height
No damage to the wall



Figure 4: Floor-to-Ceiling Installation. This image demonstrates the simple, punch-free installation of the shower caddy, fitting securely from floor to ceiling.



Figure 5: Tray Adjustment Mechanism. This image highlights the layered design, showing how the trays can be adjusted vertically and secured using rubber rings for optimal storage.

USAGE

Once installed, the BAOYOUNI shower caddy is ready for use. Its design allows for flexible organization of your bathroom items.

- **Placing Items:** Distribute items evenly across the three triangular trays. The trays are designed to hold various bath products such as shampoo bottles, conditioners, soaps, and lotions.
- **Using Hooks:** Utilize the integrated hooks on the trays to hang smaller items like loofahs, razors, washcloths, or brushes.
- **Adjusting Tray Height:** If you need to change the height of a tray, gently loosen the rubber rings, slide the tray to the desired position, and then firmly re-secure the rubber rings above and below the tray to lock it in.

place.

- **Weight Capacity:** Each tray can support approximately 5 kg (11 lbs). Avoid exceeding this weight limit to maintain stability and prevent damage.



Figure 6: Caddy in Use. This image shows the shower caddy effectively organizing bath essentials in a typical bathroom environment.



Strong Load-bearing
Stable and Not Shaking
—
Real material and durable



Figure 7: Load-Bearing Capability. This image illustrates the robust construction and stability of the trays, capable of holding substantial weight without shaking.

CARE AND MAINTENANCE

To ensure the longevity and appearance of your BAOYOUNI shower caddy, follow these simple care instructions:

- **Regular Cleaning:** Wipe down the pole and trays regularly with a soft, damp cloth and mild soap. Avoid abrasive cleaners or scouring pads, as they can damage the finish.
- **Rinse Thoroughly:** After cleaning, rinse all components thoroughly with clean water to remove any soap residue.
- **Dry Completely:** Dry the caddy completely with a soft cloth to prevent water spots and mineral buildup, especially in hard water areas.
- **Inspect Periodically:** Periodically check the tension of the pole and the security of the trays. Re-adjust if

necessary to maintain stability.

TROUBLESHOOTING

Problem	Possible Cause	Solution
Caddy is wobbly or unstable.	Insufficient tension; pole not extended enough.	Re-adjust the telescopic pole to be slightly longer than the measured height, allowing the spring to apply more tension. Ensure the non-slip pads are firmly against the surfaces.
Trays slide down the pole.	Rubber rings are not securely positioned or are worn.	Ensure the rubber rings are firmly pressed against the pole both above and below the tray. If rings are worn, contact customer support for replacements.
Difficulty extending/retracting pole.	Mechanism is stiff or dirty.	Clean the pole sections and adjustment knob. Apply a small amount of silicone lubricant if necessary, avoiding contact with non-slip pads.
Rust spots appearing.	Prolonged exposure to moisture; abrasive cleaners used.	Ensure the caddy is dried thoroughly after each use. Avoid harsh chemicals. Minor rust spots can sometimes be removed with a non-abrasive rust remover designed for stainless steel.

WARRANTY INFORMATION

Specific warranty details for the BAOYOUNI 3-Tier Corner Shower Caddy are typically provided with the product packaging or can be found on the manufacturer's official website. Please refer to these resources for comprehensive warranty terms and conditions.

CUSTOMER SUPPORT

For any questions, concerns, or assistance with your BAOYOUNI 3-Tier Corner Shower Caddy, please contact the manufacturer or retailer from whom you purchased the product. Have your model number (Model: 1) and purchase details ready when contacting support.

Manufacturer: Shanghai Baoyouni Industry Co., LTD.

For further assistance, you may visit the BAOYOUNI brand page or contact their customer service as indicated on your purchase receipt or product packaging.

