

Manuals+

[Q & A](#) | [Deep Search](#) | [Upload](#)

[manuals.plus](#) /

› [NiteRider](#) /

› [NiteRider Lumina Max 2500 Headlight User Manual](#)

NiteRider Lumina Max 2500

NiteRider Lumina Max 2500 Headlight User Manual

Brand: NiteRider | Model: Lumina Max 2500

INTRODUCTION

The NiteRider Lumina Max 2500 is a high-performance rechargeable LED headlight designed for MTB, road, and commuter cycling. It features a powerful 2500 lumen output in Boost Mode, an 8-step fuel gauge, and multiple light levels including daylight flash modes. The durable housing is constructed from Dupont® Fiberglass reinforced nylon, meeting FL1 Standards for impact testing and dust/water resistance. This manual provides instructions for setup, operation, and maintenance of your Lumina Max 2500 headlight.



Figure 1: NiteRider Lumina Max 2500 Headlight with handlebar mount.

SETUP

1. Unlocking from Travel Lock Mode

The Lumina Max 2500 is set to a travel lock mode at the factory to prevent accidental activation during shipping and storage. To unlock the device for first use:

- Press and hold the power button for 8-10 seconds until the light turns on.
- The light is now unlocked and ready for use.

Your browser does not support the video tag.

Video 1: Explanation of Travel/Lock Mode for Lumina Series Lights. This video demonstrates how to unlock and re-lock the light for transport or storage.

2. Charging the Battery

Before first use, fully charge the Lumina Max 2500. The light features a USB-C charging port.

- Connect the provided USB-C charging cable to the light and a compatible USB power source.
- A full charge typically takes approximately 3 hours.
- The 8-step fuel gauge will indicate charging progress.



Figure 2: The Lumina Max 2500 features NiteLink Wireless Technology and a USB-C charging port. Typical charge time is 3 hours.

3. Installation

The Lumina Max 2500 comes with a secure handlebar mount and is also helmet mountable (helmet mount sold separately).

- **Handlebar Mount:** Attach the handlebar mount securely to your bicycle's handlebar. The mount fits standard and oversize 35mm handlebars. Ensure the light is firmly clicked into place on the mount.
- **Helmet Mount (Optional):** If using a helmet mount, follow the instructions provided with the helmet mount accessory to attach the light securely to your helmet.



Figure 3: A cyclist adjusting the NiteRider Lumina Max 2500 on a handlebar, demonstrating typical mounting position.

OPERATING INSTRUCTIONS

1. Power On/Off and Mode Selection

- To turn the light ON, press the power button briefly.
- To cycle through the 5 light levels and 3 daylight flash modes, press the power button repeatedly.
- To activate Boost Mode (2500 lumens), press the dedicated Boost Mode button. The power button will light up red and blue to indicate Boost Mode.
- To turn the light OFF, press and hold the power button until the light extinguishes.



Figure 4: The light features an 8-step fuel gauge and color-coded light modes visible through the power button, along with custom optics for a wide beam pattern.

2. NiteLink Wireless Technology

The Lumina Max 2500 features NiteLink Wireless Technology, allowing control of compatible NiteRider taillights (sold separately) from the headlight.

- To pair a compatible NiteLink taillight, ensure both the headlight and taillight are in pairing mode.
- Refer to the taillight's manual for specific pairing instructions.
- Once paired, you can control both lights with a flick of the thumb using the NiteLink Wireless Remote (sold separately) or directly from the headlight.

Your browser does not support the video tag.

Video 2: Demonstration of NiteLink Taillight Pairing. This video shows how to pair a NiteLink compatible taillight with the headlight for synchronized control.

3. 8-Step Fuel Gauge

The integrated 8-step fuel gauge provides accurate battery power management, allowing you to monitor the remaining charge.

- The gauge lights will indicate the current battery level.
- Refer to the light's specifications for approximate run times at different light levels.

MEASURED LIGHT OUTPUT
2500 LUMENS

TYPICAL RUN TIMES
0:45-18:00h

FL1 STANDARDS

WATER | DUST RESISTANT

TESTED TO PERFORM MEETING FL1 STANDARDS IN LUMEN OUTPUT, RUN TIMES, AND WATER / DUST RESISTANCE

Figure 5: Key performance metrics for the Lumina Max 2500, including 2500 lumens output, typical run times (0:45-18h), and FL1 Standards compliance for water and dust resistance.

MAINTENANCE

1. Cleaning and Care

- Wipe the light housing and lens with a soft, damp cloth. Avoid abrasive cleaners or solvents.
- Ensure the USB-C port cover is securely closed to maintain water resistance (IP64 rating).
- Store the light in a cool, dry place when not in use.

2. Battery Longevity

- For optimal battery life, avoid fully discharging the battery frequently.
- Charge the light regularly, even if not used for extended periods.

TROUBLESHOOTING

Problem	Possible Cause	Solution
Light does not turn on.	Light is in Travel Lock Mode.	Press and hold the power button for 8-10 seconds to unlock.
Light does not turn on.	Battery is fully discharged.	Charge the light using the provided USB-C cable.
Short run time.	Operating in high lumen modes (e.g., Boost Mode).	Reduce lumen output by cycling through modes to extend battery life.
NiteLink pairing fails.	Taillight not in pairing mode or out of range.	Ensure both devices are in pairing mode and within close proximity. Refer to taillight manual.

SPECIFICATIONS

Feature	Detail
Model Name	Lumina Max 2500
Part Number	6797
Brightness	2500 Lumens (Max Boost Mode)
Light Levels	5 Steady, 3 Daylight Flash Modes
Power Source	Rechargeable Battery (USB-C)
Charge Time	Approx. 3 hours
Material	Plastic, Metal (Dupont® Fiberglass reinforced nylon housing)
Water Resistance Level	Water Resistant (IP64)
Item Weight	216 Grams
Mounting Type	Handlebar Mount (Helmet Mount sold separately)
Dimensions (L x W x H)	Approx. 6 x 2 x 2 inches (15.24 x 5.08 x 5.08 cm)
UPC	702699067974

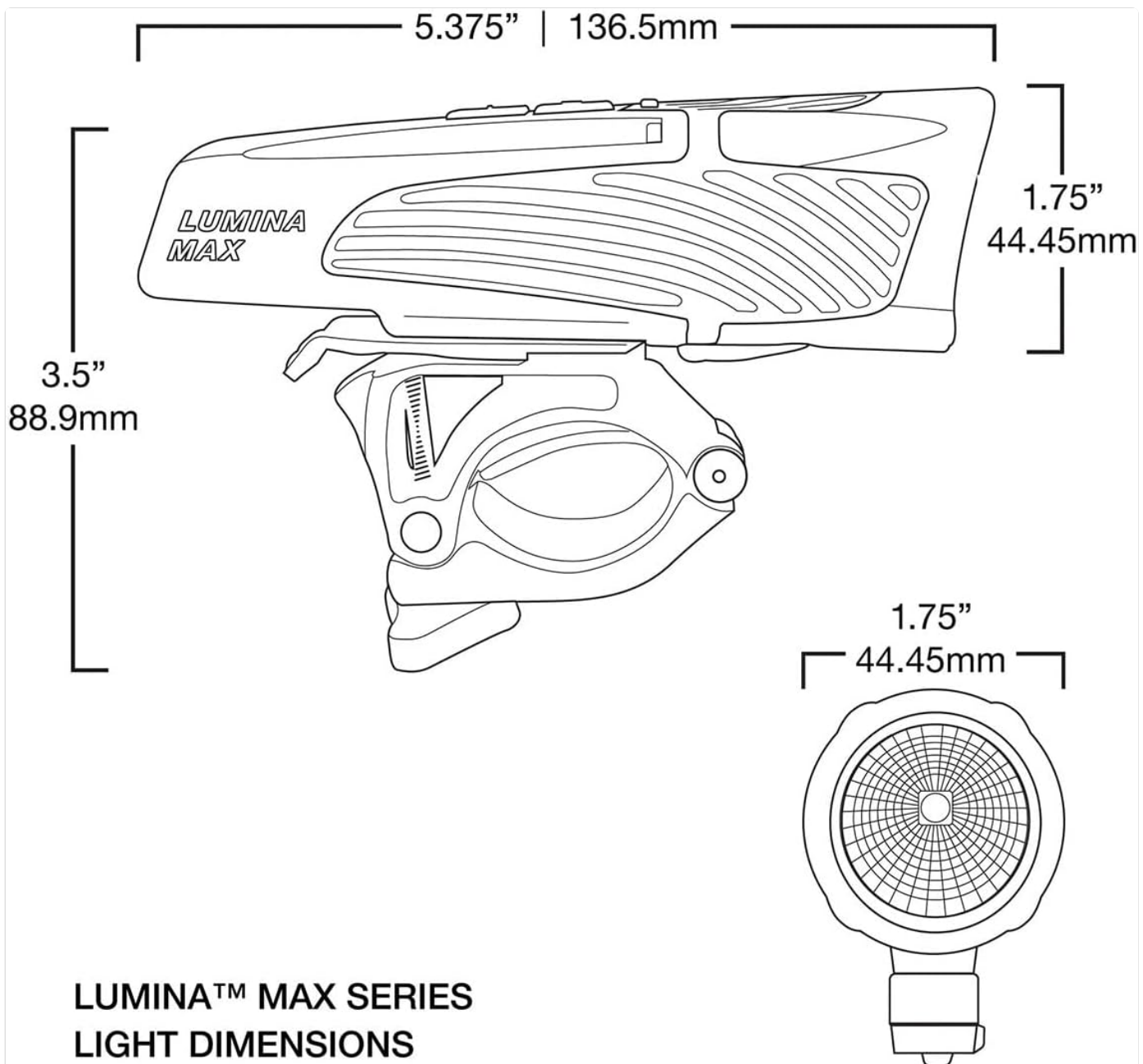


Figure 6: Detailed dimensions of the Lumina Max series headlight.

WARRANTY AND SUPPORT

The NiteRider Lumina Max 2500 comes with a Limited Lifetime Warranty. For detailed warranty information, product support, or service inquiries, please refer to the official NiteRider website or contact their customer service.

Visit the NiteRider Store: [NiteRider Amazon Store](#)