

## Exquisit EGSP6012-EB-030E INOX (816300300)

# Exquisit EGSP6012-EB-030E INOX Dishwasher User Manual

Model: EGSP6012-EB-030E INOX (816300300)

Brand: Exquisit

## 1. INTRODUCTION

Thank you for choosing the Exquisit EGSP6012-EB-030E INOX semi-integrated dishwasher. This manual provides essential information for the safe and efficient operation, installation, and maintenance of your appliance. Please read this manual thoroughly before using the dishwasher and keep it for future reference.

This dishwasher is designed to clean up to 12 place settings, making it suitable for households of 3-5 people. It offers various wash programs to ensure optimal cleaning results for different types of dishes.

## 2. SAFETY INFORMATION

Always follow basic safety precautions when using electrical appliances to reduce the risk of fire, electric shock, and injury.

- **Electrical Safety:** Ensure the appliance is properly grounded. Do not use extension cords or adapters. Disconnect the power supply before any maintenance or cleaning.
- **Water Safety:** Ensure water connections are secure to prevent leaks. Do not operate the dishwasher if there is visible damage to the water inlet or drain hoses.
- **Child Safety:** Keep children away from the dishwasher, especially when it is operating. Detergents are corrosive; keep them out of reach of children.
- **Sharp Objects:** Load sharp items (knives, forks) with handles up to prevent injury.
- **Flammable Materials:** Do not wash items that have been contaminated with gasoline, paint, or other flammable liquids.

## 3. PRODUCT OVERVIEW

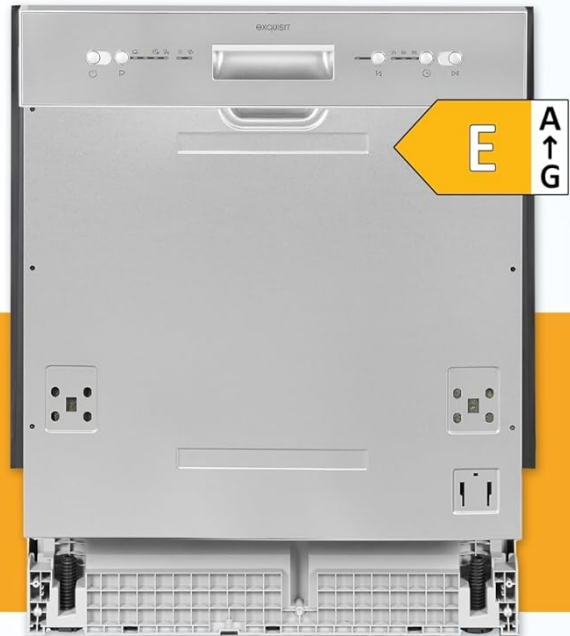
The Exquisit EGSP6012-EB-030E INOX is a semi-integrated dishwasher designed for seamless integration into your kitchen cabinetry. It features an intuitive LED control panel and a spacious interior.

# Einbau-Geschirrspüler mit 60 cm Breite und Startzeitvorwahl.

Einfach und zuverlässig.

## EGSP6012-EB-030E inox

- Solide Technik.
- Fairer Preis.
- Komfortable Funktionen.
- Und nichts, was man nicht braucht.



**Einfach das, worauf es ankommt.**

exquisit

Figure 3.1: Front view of the Exquisit EGSP6012-EB-030E INOX semi-integrated dishwasher, showing the energy efficiency label (Class E) and the model name.



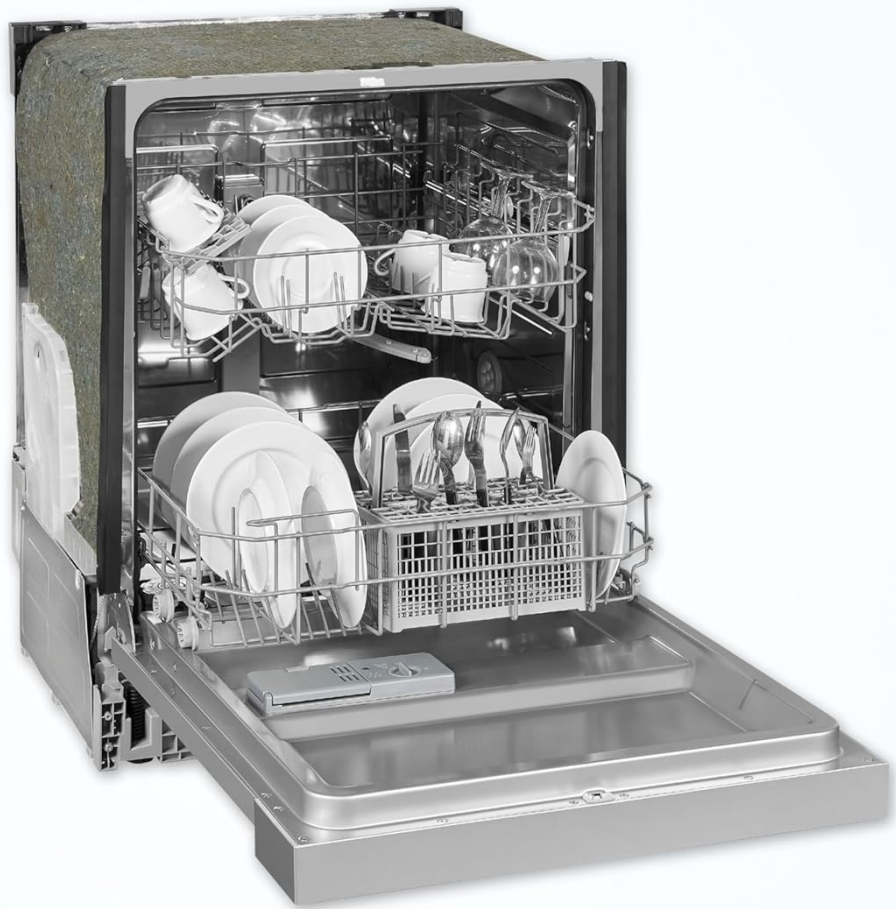
Maßgedecke



Liter



Startzeitvorwahl



**Einfach das, worauf es ankommt.**

**exQUISIT**

Figure 3.2: Interior view of the dishwasher, illustrating its capacity for 12 place settings, 11 liters water consumption per cycle, and the delayed start function.

### Key Features:

- **Capacity:** 12 place settings
- **Wash Programs:** 4 programs (including ECO, Intensive, Quick)
- **Energy Efficiency:** Class E
- **Noise Level:** 49 dB(A)
- **Water Consumption:** Approximately 11.0 liters per cycle
- **Special Features:** Delayed start function, water softener, height-adjustable feet, removable cutlery basket.

## 4. SETUP AND INSTALLATION

Proper installation is crucial for the performance and safety of your dishwasher. It is recommended that installation be performed by a qualified technician.

## 4.1 Unpacking

Carefully remove all packaging materials. Check the appliance for any signs of transport damage. The package includes the dishwasher, power cord, drain hose, inlet hose, cutlery basket, and this user manual.

## 4.2 Positioning

The dishwasher is designed to fit into standard kitchen niches. Its dimensions are 81.5 cm (height) x 59.8 cm (width) x 57.0 cm (depth). Ensure the niche has a minimum width of 600 mm. When the door is fully open, the depth extends to 115 cm.

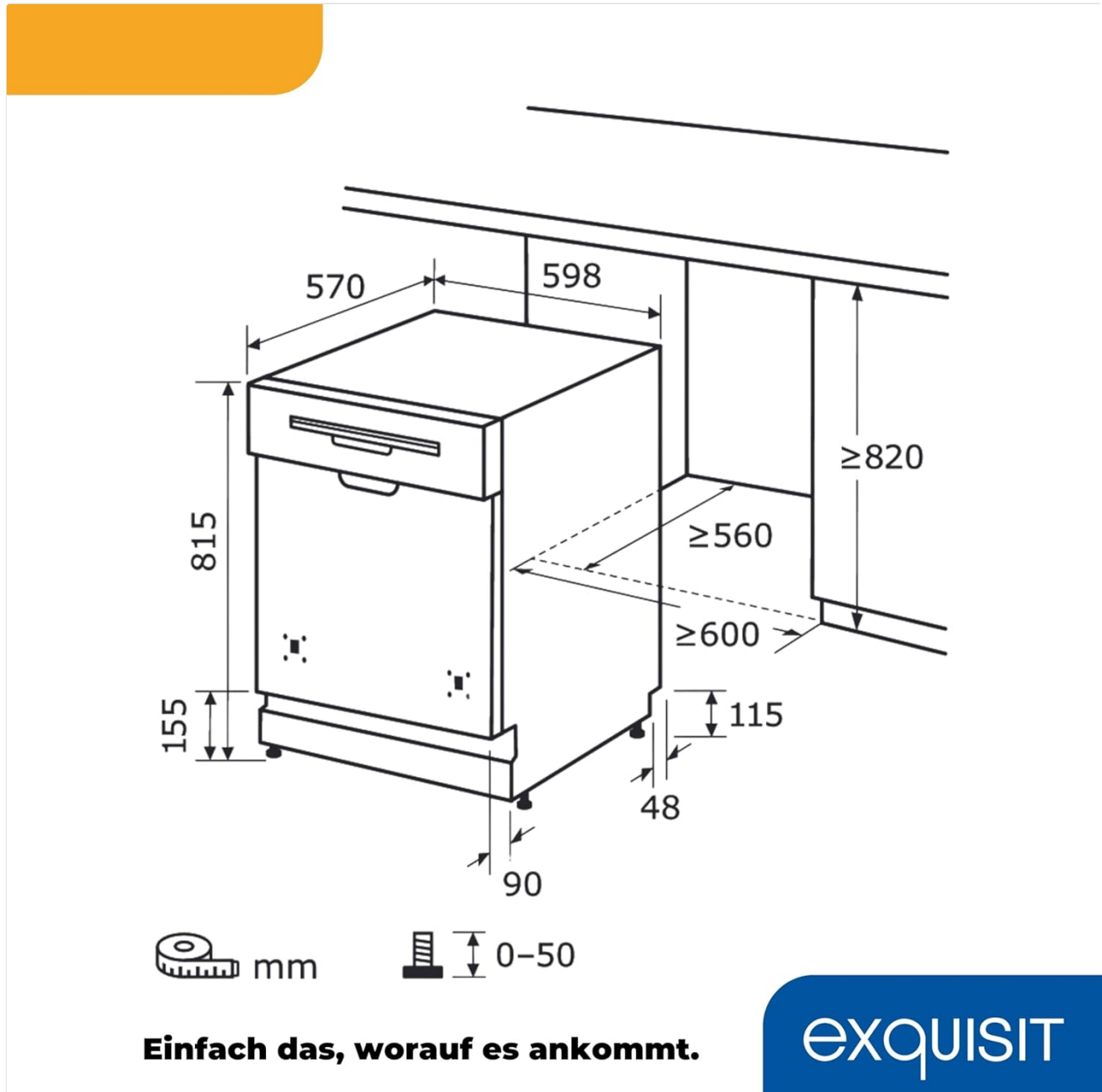


Figure 4.1: Technical drawing showing the dimensions of the dishwasher and required niche space for installation.

The dishwasher is equipped with height-adjustable feet (three at the front and one at the rear) for flexible leveling and optimal operation. Adjust the feet to ensure the appliance is stable and level.

## 4.3 Water Connection

Connect the water inlet hose to a cold water supply with a 3/4 inch thread. Ensure the connection is tight to prevent leaks. The drain hose should be connected to a suitable drain pipe or sink trap, ensuring it is not kinked or obstructed.

## 4.4 Electrical Connection

Connect the power cord to a properly grounded electrical outlet. The dishwasher operates on 240 Volts at 50 Hz and has a power consumption of 1930 Watts. Do not use multi-plugs or extension cords.

## 5. OPERATING INSTRUCTIONS

This section guides you through the daily operation of your Exquisit dishwasher.

### 5.1 Control Panel



Figure 5.1: Detailed view of the dishwasher's LED control panel, showing program selection and half-load options.

# Für alle, die nicht gern um Mitternacht Geschirr spülen: mit Startzeitvorwahl.



Figure 5.2: Detailed view of the control panel, highlighting the delayed start options (3h, 6h, 9h) for convenient operation.

The control panel features an LED display and push-button controls for power, program selection, half-load function, delayed start, and start/pause.

## 5.2 Loading the Dishwasher

Scrape off large food particles from dishes before loading. Place dishes securely in the baskets, ensuring water can reach all surfaces. The dishwasher includes a removable cutlery basket for easy loading and unloading of utensils.

## Herausnehmbarer Besteckkorb für einfaches Ein- und Ausräumen.



**Einfach das, worauf es ankommt.**

**exQUISIT**

Figure 5.3: The removable cutlery basket, designed for convenient placement and retrieval of silverware.

### 5.3 Adding Detergent and Rinse Aid

Fill the detergent dispenser with the appropriate amount of dishwasher detergent. Check the rinse aid indicator and refill the rinse aid dispenser if necessary. The dishwasher is equipped with a water softener; ensure salt is added to the salt dispenser as needed, especially in hard water areas.

### 5.4 Program Selection

The dishwasher offers 4 wash programs to suit different cleaning needs:

- **ECO Program:** Energy-efficient program for normally soiled dishes.
- **Intensive Program:** For heavily soiled dishes and pots.
- **Quick Program:** For lightly soiled dishes that need a fast wash.
- **90-Minute Program:** A standard program for daily use.

Select the desired program using the program button on the control panel. The program temperatures range from 45°C to 65°C.

## 5.5 Delayed Start Function

You can delay the start of a wash cycle by 3, 6, or 9 hours. This is useful for taking advantage of off-peak electricity rates. Press the delay start button repeatedly to select the desired delay time.

## 5.6 Starting a Wash Cycle

Close the dishwasher door firmly. Press the Start/Pause button to begin the selected program. The LED display will indicate the program status.

# 6. MAINTENANCE AND CARE

Regular maintenance ensures the longevity and optimal performance of your dishwasher.

## 6.1 Cleaning the Filters

The filter system prevents food particles from recirculating and clogging the pump. Regularly clean the coarse filter, fine filter, and main filter. To access, twist and remove the filter assembly at the bottom of the dishwasher tub. Rinse under running water to remove debris.

**Effiziente Wassernutzung für gründliche Reinigungsergebnisse.**



**Einfach das, worauf es ankommt.**

**exQUISIT**

Figure 6.1: Close-up view of the dishwasher's filter system and water softener cap, essential for efficient water usage and thorough cleaning.

## 6.2 Cleaning the Spray Arms

Check the spray arm nozzles for blockages. If necessary, remove the spray arms and clean the nozzles with a thin wire or toothpick.

## 6.3 Exterior Cleaning

Wipe the exterior surfaces with a soft, damp cloth. Do not use abrasive cleaners or solvents.

## 6.4 Interior Cleaning

Periodically run a dishwasher cleaning cycle with a specialized dishwasher cleaner to remove grease and limescale buildup.

# 7. TROUBLESHOOTING

Before contacting customer service, refer to the following table for common issues and their solutions.

Problem	Possible Cause	Solution
Dishwasher does not start	No power supply; Door not closed properly; Program not selected.	Check power connection; Ensure door is latched; Select a wash program.
Dishes are not clean	Improper loading; Clogged spray arms/filters; Insufficient detergent/rinse aid.	Reload dishes correctly; Clean spray arms and filters; Add more detergent/rinse aid.
Water not draining	Clogged drain hose/filter; Drain pump malfunction.	Clean filters; Check drain hose for kinks or blockages.
Excessive noise	Dishes rattling; Foreign object in pump; Appliance not level.	Rearrange dishes; Check for foreign objects; Adjust leveling feet.

If the problem persists after attempting these solutions, please contact customer support.

# 8. SPECIFICATIONS

Feature	Specification
Model Name	EGSP6012-EB-030E INOX
Model Number	816300300
Type	Semi-integrated Dishwasher
Capacity	12 Place Settings
Dimensions (H x W x D)	81.5 cm x 59.8 cm x 57.0 cm
Weight	29 Kilograms
Energy Efficiency Class	E

Feature	Specification
Annual Energy Consumption	92 kWh per 100 cycles
Water Consumption per Cycle	11.0 Liters
Noise Level	49 dB(A)
Voltage	240 Volts
Frequency	50 Hz
Power (Wattage)	1930 Watts
Control Type	Push-button with LED display
Interior Material	Stainless Steel / Plastic
Included Components	Power cord, Cutlery basket, Drain hose, Inlet hose, User manual

## 9. WARRANTY AND SUPPORT

---

Exquisit products are known for their solid quality, reliable function, and durability. Our appliances undergo multi-stage quality checks and are tested by independent institutes like TÜV Rheinland to ensure high standards.

For any technical issues, questions, or support needs, please refer to the contact information provided with your purchase documentation or visit the official Exquisit website for customer service details. Please have your model number (816300300) and serial number ready when contacting support.