

## Kalia ROSWELL

# Kalia ROSWELL 2000W Ceramic Dry Inertia Electric Radiator User Manual

Model: ROSWELL (BAT-HT20PMG)

## 1. INTRODUCTION

Thank you for choosing the Kalia ROSWELL 2000W Ceramic Dry Inertia Electric Radiator. This manual provides essential information for the safe and efficient installation, operation, and maintenance of your new heating appliance. Please read these instructions carefully before use and retain them for future reference. The Kalia ROSWELL radiator features a ceramic heating core, electronic control with an LCD screen, and advanced programming options to provide gentle, continuous, and energy-efficient heat for your living spaces.

## 2. SAFETY INSTRUCTIONS

To prevent personal injury or property damage, always observe the following safety precautions:

- Ensure the power supply voltage matches the rating label on the appliance.
- Do not cover the radiator. Covering the radiator can lead to overheating and fire hazards.
- Keep flammable materials (curtains, furniture, paper, etc.) at a safe distance from the radiator.
- Do not operate the radiator with a damaged cord or plug, or if the appliance has malfunctioned or been dropped.
- This appliance is not intended for use by persons (including children) with reduced physical, sensory, or mental capabilities, or lack of experience and knowledge, unless they have been given supervision or instruction concerning use of the appliance by a person responsible for their safety.
- Children should be supervised to ensure that they do not play with the appliance.
- Do not use the radiator in bathrooms, laundry areas, or similar indoor locations where it may come into contact with water.
- Always unplug the radiator before cleaning or performing any maintenance.
- The radiator is equipped with automatic reset thermal safety to prevent overheating.
- Ensure proper wall mounting as described in the installation section.

### 3. PRODUCT OVERVIEW

The Kalia ROSWELL radiator is designed for efficient and comfortable heating. Its ceramic core retains heat, providing a consistent and gentle warmth even after the heating element cycles off.



Figure 3.1: Front view of the Kalia ROSWELL 2000W Ceramic Dry Inertia Electric Radiator.



Figure 3.2: Kalia ROSWELL radiator mounted on a wall, demonstrating its sleek design in a living space.

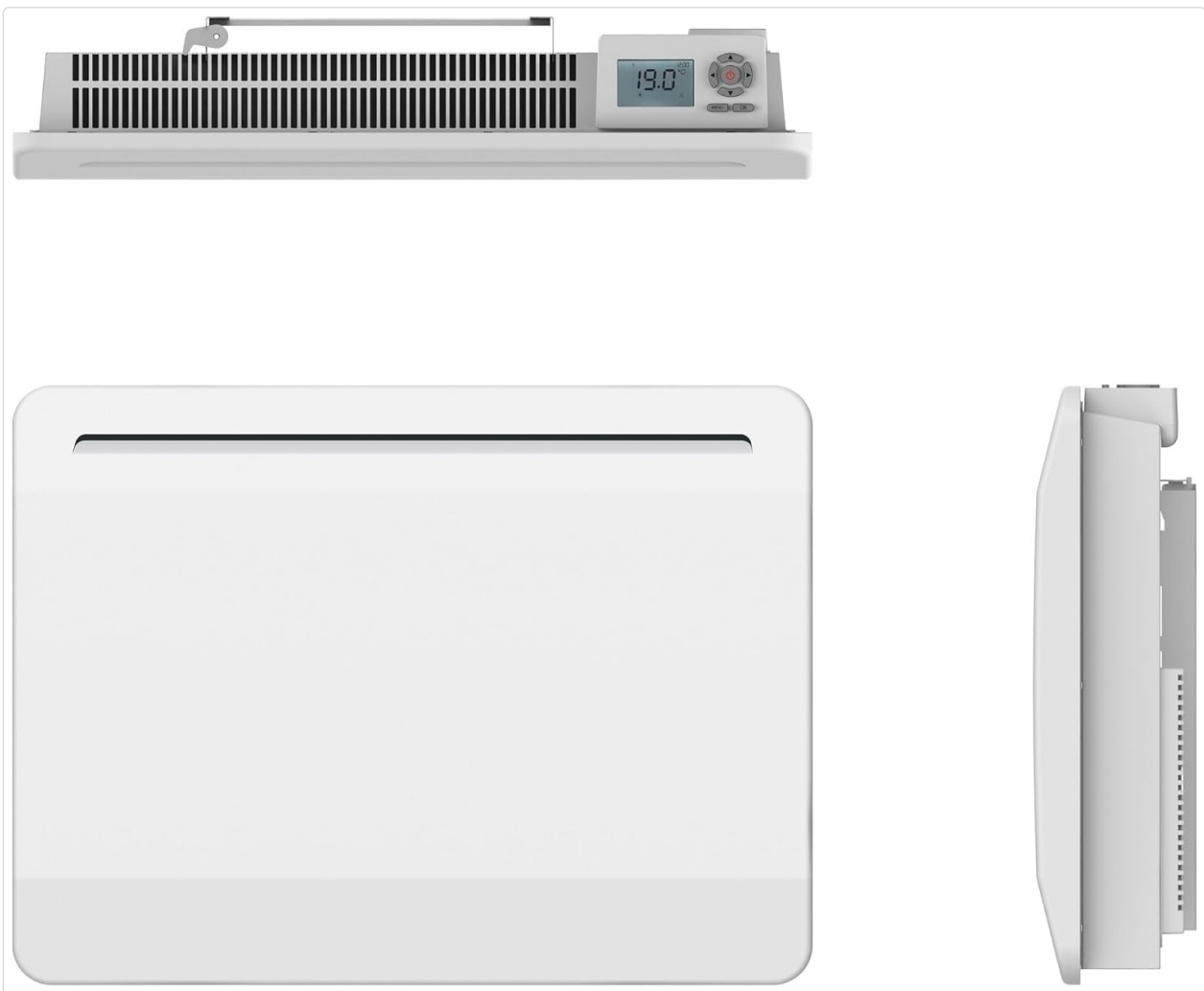


Figure 3.3: Multiple views of the radiator, highlighting the front panel, the top-mounted LCD control panel, and the slim side profile.

### Key Features:

- **Dry Inertia Heating:** Utilizes a ceramic core to store and slowly release heat.
- **Electronic Control:** Precise temperature management.
- **Digital LCD Screen:** Clear display for settings and programming.
- **4 Operating Modes:** Comfort, Eco, Program, and Frost Protection.
- **7 Pre-installed Programs:** For convenient energy saving.
- **Daily and Weekly Programming:** Customizable heating schedules.
- **Open Window Detection:** Automatically reduces heating when a window is open to save energy.
- **Overheat Protection:** Enhanced safety feature.
- **6-Order Pilot Wire:** For advanced central control systems.
- **Curved Front Panel:** Modern and elegant design.
- **Standards:** Complies with CE, NF, RoHS, and ERP (2015/1188) Directive Class II IP24.

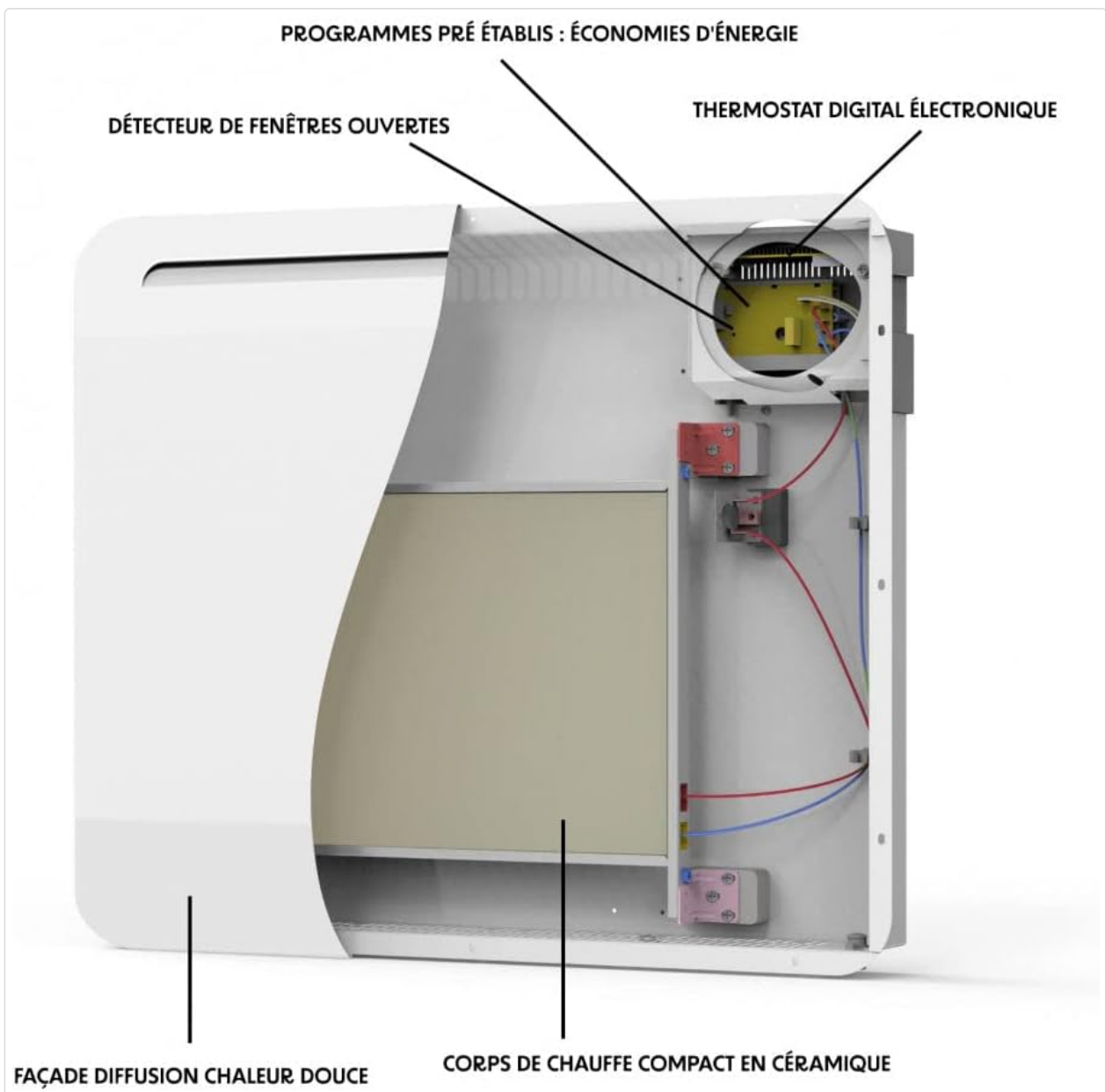


Figure 3.4: Internal components of the Kalia ROSWELL radiator, showing the compact ceramic heating core, electronic digital thermostat, open window detector, and pre-established programs for energy savings.

## 4. INSTALLATION

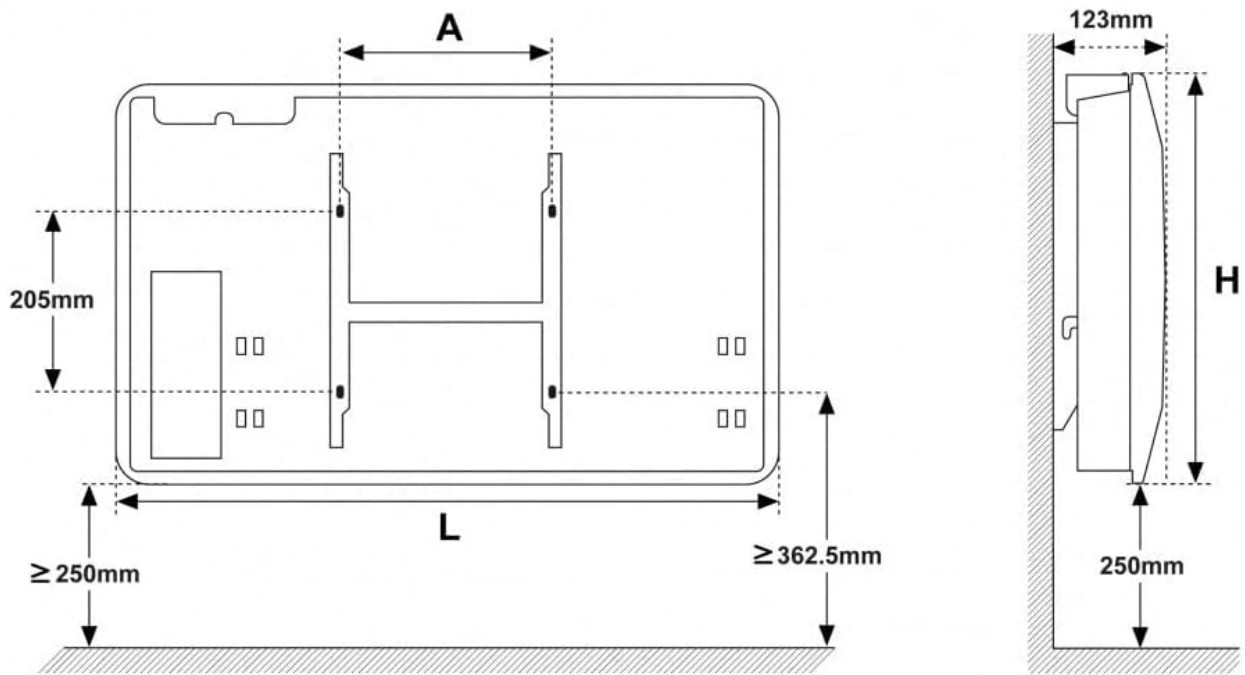
The Kalia ROSWELL radiator is designed for easy wall-mounted installation. A mounting kit is included.

### 4.1 Unpacking

- Carefully remove the radiator from its packaging.
- Check for any signs of damage. If damaged, do not install and contact your supplier.
- Ensure all components of the mounting kit are present.

### 4.2 Mounting Location

- Choose a suitable wall location, away from direct drafts and areas where it might be covered.
- Ensure the wall can support the weight of the radiator (approximately 10.7 kg for the 2000W model).
- Maintain minimum clearances from the floor and sides as indicated in the diagram below.



Puissance (Watts)	Dimensions (LxH)	A (mm)	Poids (kg)
1000	600x450	190	6.5
1500	800x450	340	8.7
2000	1000x450	490	11

Figure 4.1: Mounting dimensions and recommended clearances. Ensure a minimum of 250mm from the floor and 362.5mm from the top of the radiator to the ceiling.

### 4.3 Wall Mounting Procedure

1. Mark the drilling points on the wall according to the provided mounting bracket and the dimensions shown in Figure 4.1.
2. Drill holes and insert appropriate wall plugs (ensure they are suitable for your wall type).
3. Secure the mounting bracket to the wall using the screws provided.
4. Carefully lift the radiator and hook it onto the wall bracket.
5. Engage the lockable wall mounting mechanism to secure the radiator in place.

### 4.4 Electrical Connection

Connect the radiator to a suitable electrical outlet. If using a pilot wire system, ensure it is connected by a qualified electrician according to local regulations.

## 5. OPERATING INSTRUCTIONS

The Kalia ROSWELL radiator features an intuitive LCD control panel for easy operation.

### 5.1 LCD Control Panel

The LCD screen displays the current temperature, selected mode, and programming information. Buttons allow for mode selection, temperature adjustment, and program setup.

## 5.2 Operating Modes

Select from the following four modes:

- **Comfort Mode:** Maintains your desired set temperature.
- **Eco Mode:** Operates at a slightly lower temperature than Comfort mode to save energy.
- **Program Mode:** Follows the pre-set or user-defined heating schedule.
- **Frost Protection Mode:** Maintains a minimum temperature (e.g., 7°C) to prevent freezing.

## 5.3 Temperature Adjustment

Use the '+' and '-' buttons on the control panel to set your desired temperature in Comfort or Eco mode.

## 5.4 Programming

The radiator comes with 7 pre-installed programs. You can also set daily and weekly custom programs to match your lifestyle and optimize energy consumption. Refer to the detailed programming section in the full manual (if available) for step-by-step instructions on customizing programs.

## 5.5 Open Window Detection

This feature automatically detects a sudden drop in temperature, indicating an open window or door. The radiator will temporarily reduce its heating output to avoid wasting energy. Heating will resume once the temperature stabilizes or the window is closed.

---

## 6. MAINTENANCE

The Kalia ROSWELL Ceramic Dry Inertia Electric Radiator requires no specific maintenance.

- **Cleaning:** Ensure the radiator is unplugged and cool before cleaning. Wipe the exterior with a soft, damp cloth. Do not use abrasive cleaners or solvents.
- **Inspection:** Periodically check the power cord and plug for any damage.

---

## 7. TROUBLESHOOTING

If you encounter issues with your radiator, refer to the following common troubleshooting steps:

- **Radiator not heating:**
  - Check if the radiator is properly plugged into a working power outlet.
  - Ensure the circuit breaker has not tripped.
  - Verify that the desired temperature setting is higher than the ambient room temperature.
  - Check if the 'Open Window Detection' feature is active due to a draft.
- **Radiator overheating:**
  - The overheat protection may have activated. Unplug the radiator, allow it to cool down, and ensure it is not covered or obstructed.
- **LCD screen not displaying:**
  - Check power connection. If the issue persists, contact support.

For issues not covered here, please contact customer support.

---

## 8. SPECIFICATIONS

Feature	Specification
Brand	Kalia
Model Name	ROSWELL
Model Number	BAT-HT20PMG
Power	2000 Watts
Voltage	240 Volts
Dimensions (L x W x H)	85 x 11 x 45 cm
Weight	10.7 Kilograms
Heating Core Material	Ceramic
Color	White
Mounting Type	Wall Mount
Special Features	Overheat Protection, LCD Display, Programmable, Open Window Detection
Standards Compliance	CE, NF, RoHS, ERP (2015/1188) Directive Class II IP24

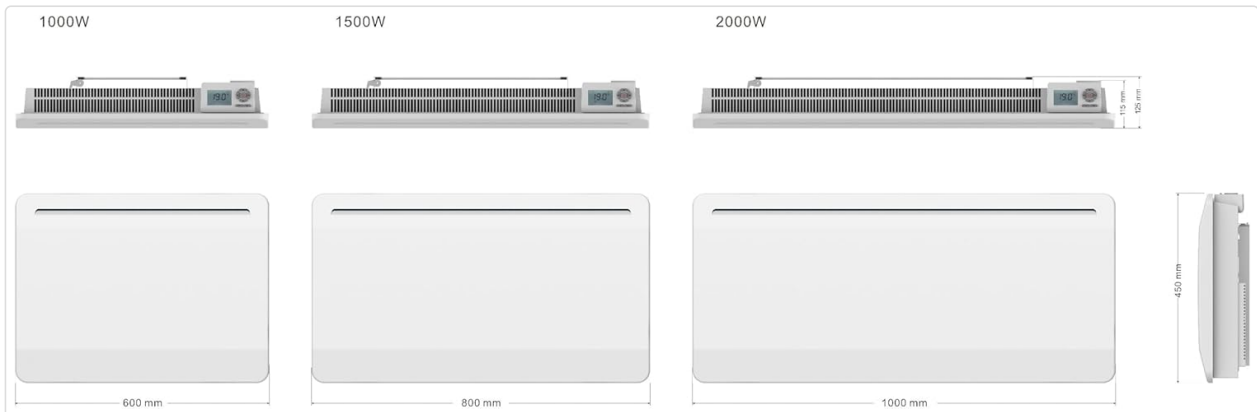


Figure 8.1: Overview of Kalia ROSWELL radiator models, showing dimensions for 1000W (600x45mm), 1500W (800x45mm), and 2000W (1000x45mm) versions. The 2000W model is 1000mm wide, while the product description states 85cm. For this manual, we refer to the 85cm width from the product specifications.



Figure 8.2: NF certification logo, indicating compliance with French and European safety and quality standards.

## 9. WARRANTY AND SUPPORT

The Kalia ROSWELL radiator comes with a **2-year warranty** from the date of purchase, covering manufacturing defects.

For warranty claims, technical support, or any questions regarding your product, please contact your retailer or the Kalia customer service department. Please have your proof of purchase and model number (BAT-HT20PMG) ready when contacting support.