



[Manuals.plus](#) /

> [VECELO](#) /

> [VECELO King Industrial Metal Platform Bed Frame Instruction Manual](#)

VECELO KHD-YT-K09-VC02

VECELO King Industrial Metal Platform Bed Frame Instruction Manual

Model: KHD-YT-K09-VC02

[Overview](#)

[Setup](#)

[Operating](#)

[Maintenance](#)

[Troubleshooting](#)

[Specifications](#)

[Warranty & Support](#)

1. PRODUCT OVERVIEW

The VECELO Metal Platform Bed Frame is designed to provide a sturdy and durable foundation for your mattress without the need for a box spring. Its steel slat support system prevents mattress sagging and extends mattress life. This King-sized frame offers ample under-bed clearance for storage, making it a practical addition to any bedroom.



Image 1.1: The VECELO King Industrial Metal Platform Bed Frame, showcasing its minimalist design.

Key Features:

- **Super Heavy Duty Construction:** Sturdy and durable steel slats provide stability and level support, preventing mattress sagging and enhancing mattress life.
- **No Box Spring Needed:** The frame's design, featuring seamless welding, supports up to 3000 pounds of static pressure, allowing for free movement without squeaking or noise.
- **Ample Under-Bed Clearance:** With 12.6 inches of clearance, the 14.2-inch high frame offers significant space for storing various items.

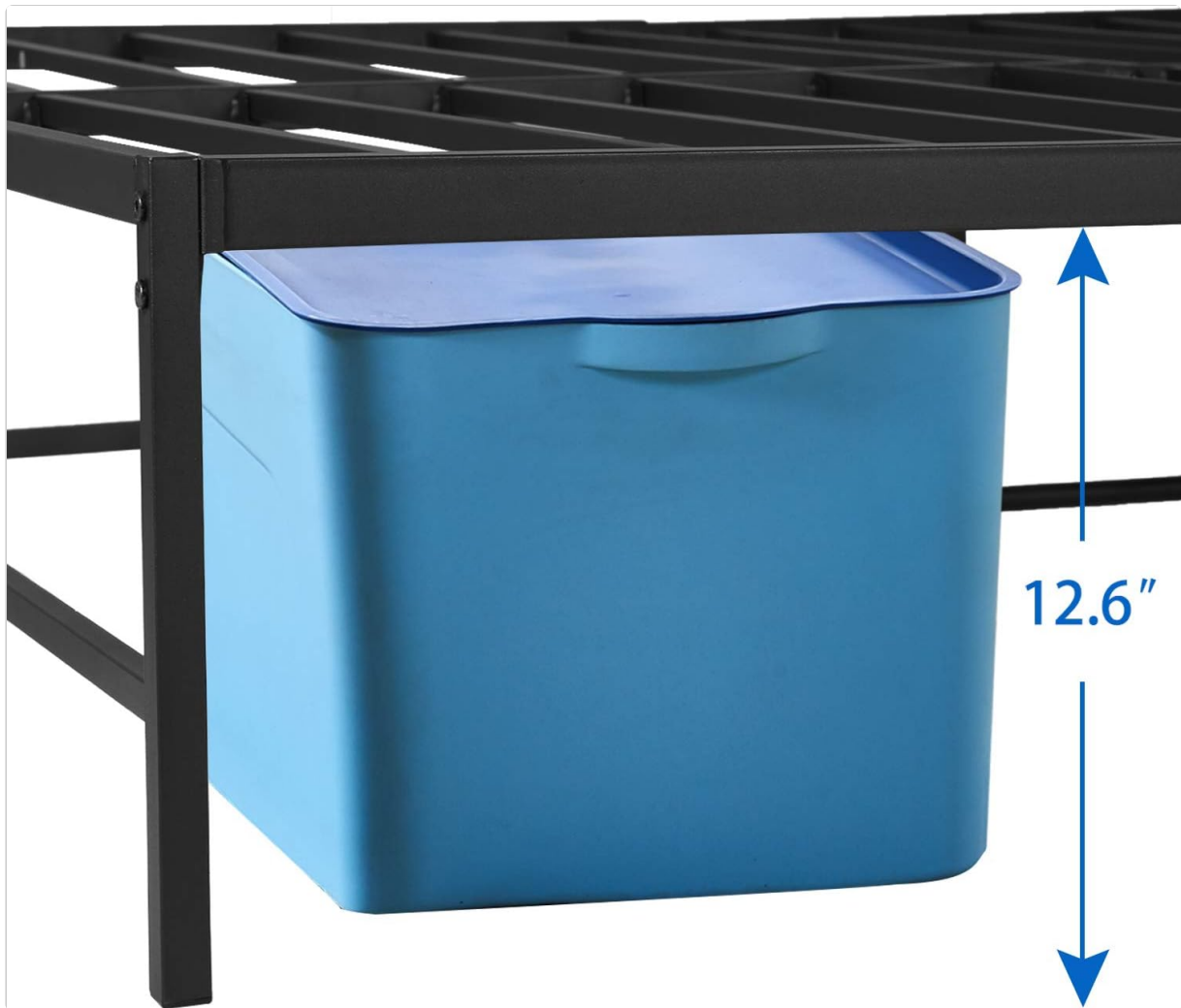


Image 1.2: Illustration of the 12.6-inch under-bed clearance, ideal for storage solutions.

2. SETUP INSTRUCTIONS

Before beginning assembly, please read all instructions carefully and ensure all parts and tools are present. Assembly is designed to be quick and easy, but proper adherence to the instructions is crucial for stability and safety.

Safety Warnings:

- Do not load more than 3000 pounds onto the bed frame.
- Always follow the assembly instructions carefully to prevent instability or collapse.
- Be cautious of sharp edges, especially during assembly.

Assembly Steps:

1. **Unpack Components:** Carefully remove all parts from the packaging. Verify that all components listed in the included parts list are present.
2. **Assemble Frame Sections:** Follow the detailed diagrams in your package to connect the main frame sections using the provided hardware and tools. Ensure all bolts are securely tightened.
3. **Install Support Slats:** Place the steel support slats across the assembled frame. Ensure they are properly seated and secured according to the instructions.
4. **Final Check:** Once assembled, gently shake the frame to ensure all connections are stable and secure. Retighten any loose bolts.



Image 2.1: Visual representation of the bed frame's humanized design for easy assembly and its rectangle structured heavy-duty components.



Image 2.2: The fully assembled bed frame, illustrating the robust steel slat support system.

3. OPERATING INSTRUCTIONS

The VECELO Metal Platform Bed Frame is designed for straightforward use. Once assembled, it is ready to support your mattress directly.

Usage:

- Place your King-sized mattress directly onto the steel slats. A box spring is not required.
- Ensure the mattress is centered and evenly distributed on the frame.
- The frame is engineered to support up to 3000 pounds of static weight, providing a stable and quiet sleeping surface.



Image 3.1: The VECELO bed frame with a mattress and bedding, ready for use.

4. MAINTENANCE

Regular maintenance will help preserve the longevity and performance of your VECELO Metal Platform Bed Frame.

Care and Cleaning:

- Wipe the metal frame with a soft, damp cloth to remove dust and dirt. Avoid abrasive cleaners or harsh chemicals that could damage the finish.
- For stubborn marks, a mild soap solution can be used, followed by wiping with a clean, dry cloth.

Periodic Checks:

- Periodically inspect all bolts and connections to ensure they remain tight. Retighten any loose hardware to maintain stability and prevent squeaking.
- Check the steel slats for any signs of damage or bending. While designed for durability, heavy impacts can cause deformation.

5. TROUBLESHOOTING

This section addresses common issues you might encounter with your bed frame.

Common Issues and Solutions:

- **Squeaking or Noise:**

The VECELO bed frame is designed for quiet operation. If you experience squeaking, check all assembly bolts and ensure they are fully tightened. Loose connections are the most common cause of noise.

- **Instability or Wobbling:**

Ensure the frame is assembled on a flat, level surface. Verify that all legs are making full contact with the floor and that all connecting hardware is securely fastened.

- **Mattress Sliding:**

While the frame's design helps contain the mattress, some mattresses may still shift. Ensure the mattress is properly centered. For persistent sliding, consider using a non-slip mattress pad between the mattress and the slats.

6. SPECIFICATIONS

Brand	VECELO
Model Number	KHD-YT-K09-VC02
Size	King
Material	Metal
Product Dimensions (L x W x H)	81.5" x 77.5" x 14.2"
Under-Bed Clearance	12.6 inches
Style	Industrial
Special Feature	Sturdy, No Box Spring Needed
Included Components	Frame, Steel Slats, Assembly Hardware, Tools
Maximum Weight Recommendation	3000 Pounds (static pressure)
Item Weight	45.4 Pounds
UPC	617588991967

King Size Dimension

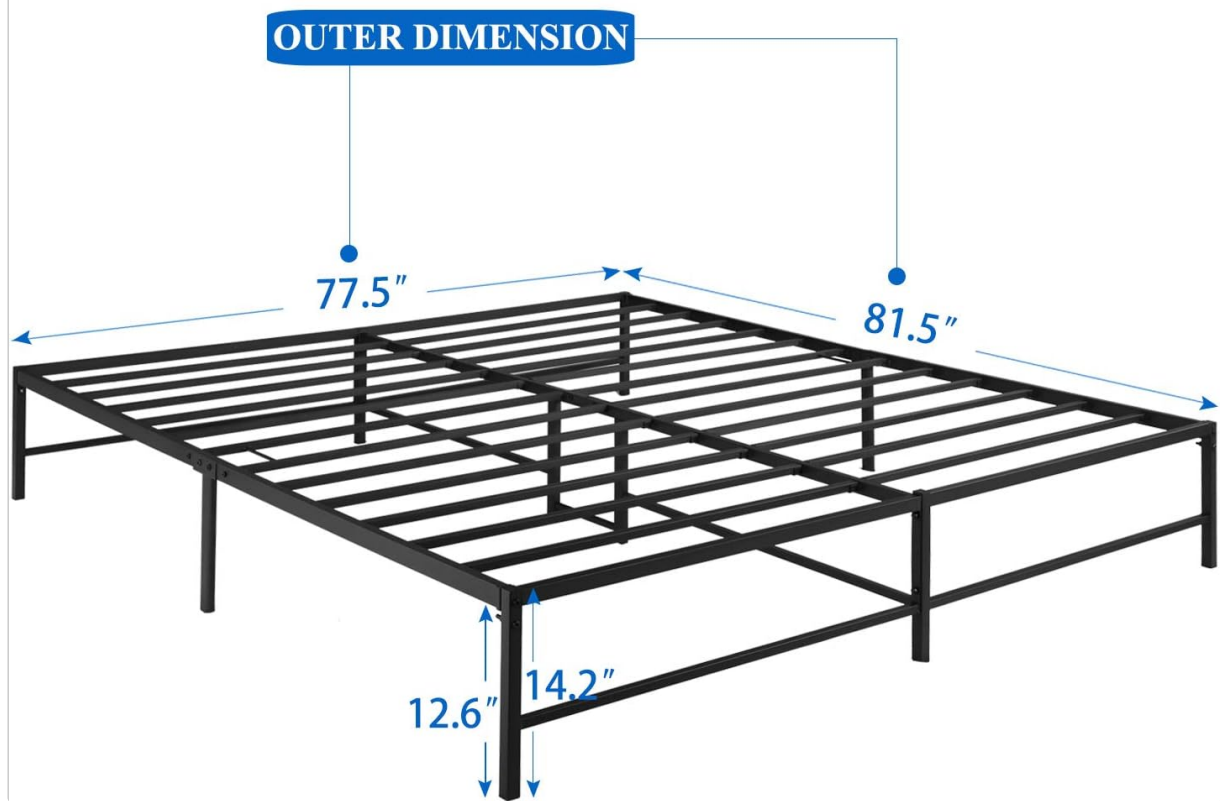


Image 6.1: Detailed dimensions for the King size VECELO Metal Platform Bed Frame.

7. WARRANTY & SUPPORT

Warranty Information:

VECELO provides a **5-year limited manufacturer warranty** for this product. This warranty covers defects in materials and workmanship under normal use.

Customer Support:

VECELO is committed to customer satisfaction. If you have any questions, concerns, or require assistance with your product, please do not hesitate to contact our customer support team. We aim to reply within 24 hours. For support, please visit the official VECELO store or contact us through the platform where you purchased the product.