

[Manuals.plus](#) /

› [BESTTEN](#) /

› BESTTEN Almond Dimmer Light Switch User Manual - Model LUXDMWK600-12-3

BESTTEN LUXDMWK600-12-3

BESTTEN Almond Dimmer Light Switch User Manual

Model: LUXDMWK600-12-3

For Dimmable LED, Halogen, and Incandescent Bulbs

1. PRODUCT OVERVIEW

The BESTTEN Almond Dimmer Light Switch is designed to provide adjustable lighting levels for various bulb types. It supports both single-pole and 3-way applications and includes a decorator wall plate. This dimmer features a memory function to recall the last dimmed setting and an adjustable dimming range to prevent flickering.

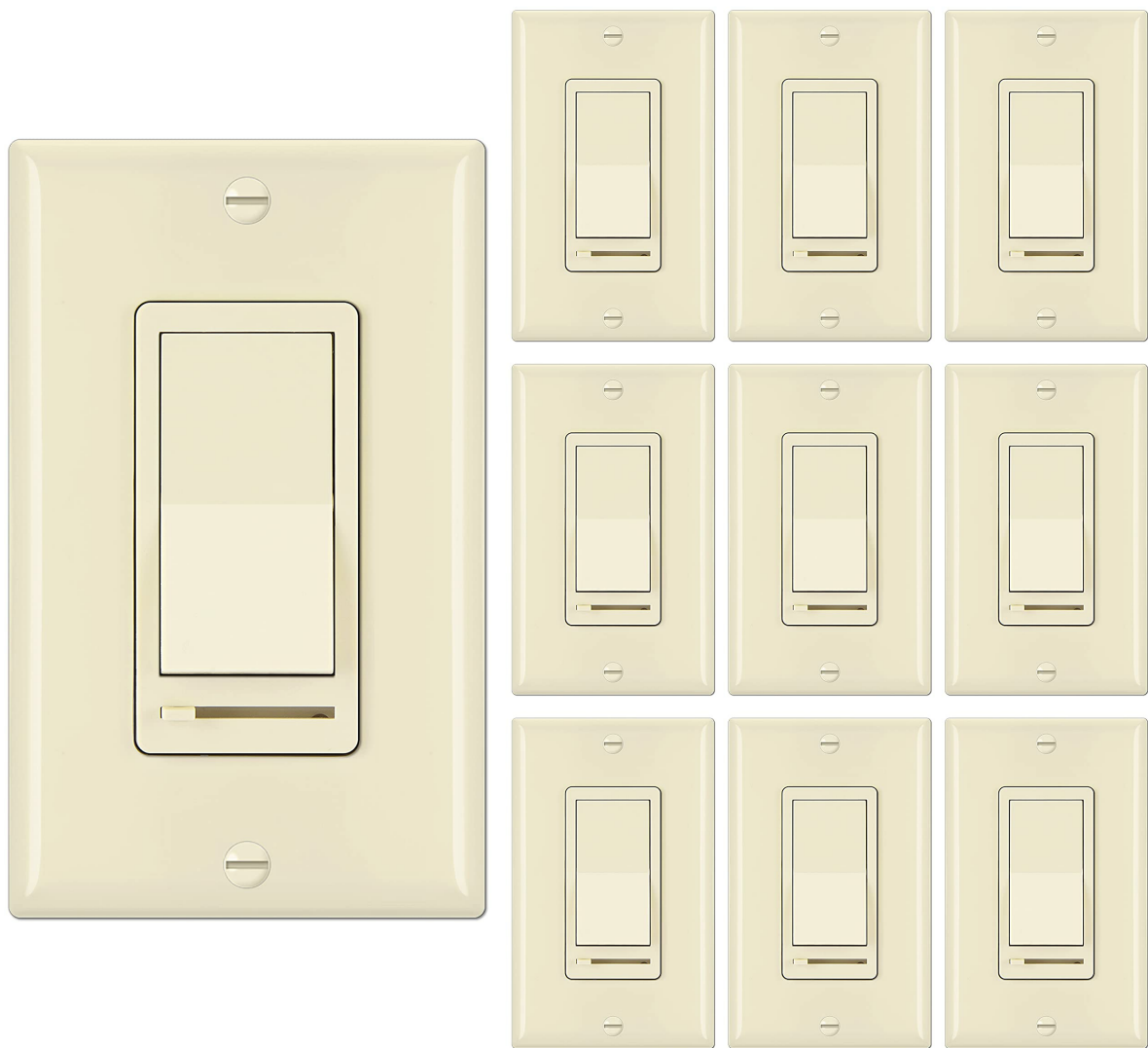


Figure 1: BESTTEN Almond Dimmer Light Switch with included wall plate.

2. PACKAGE CONTENTS

- Dimmer Switches
- Screws
- Wallplates

3. SAFETY INFORMATION

- **WARNING:** To avoid fire, shock, or death, turn off power at the circuit breaker or fuse box and test that power is off before wiring.
- Install in accordance with all national and local electrical codes.
- Use only with compatible dimmable bulbs (LED, CFL, Incandescent, Halogen).
- Do not use with non-dimmable bulbs or motor-driven appliances like fans.
- Only one dimmer switch can be installed in a 3-way circuit.

4. INSTALLATION INSTRUCTIONS

4.1 Wiring for Single-Pole Application

A single-pole application controls a light fixture from one location. Ensure power is off before proceeding.

BESTTEN[®]

Single-Pole or 3-Way Compatible

Can be used in single-pole or 3-way applications where lights are controlled from one or two locations

Note:

Install only ONE dimmer switch in a 3-way circuit.

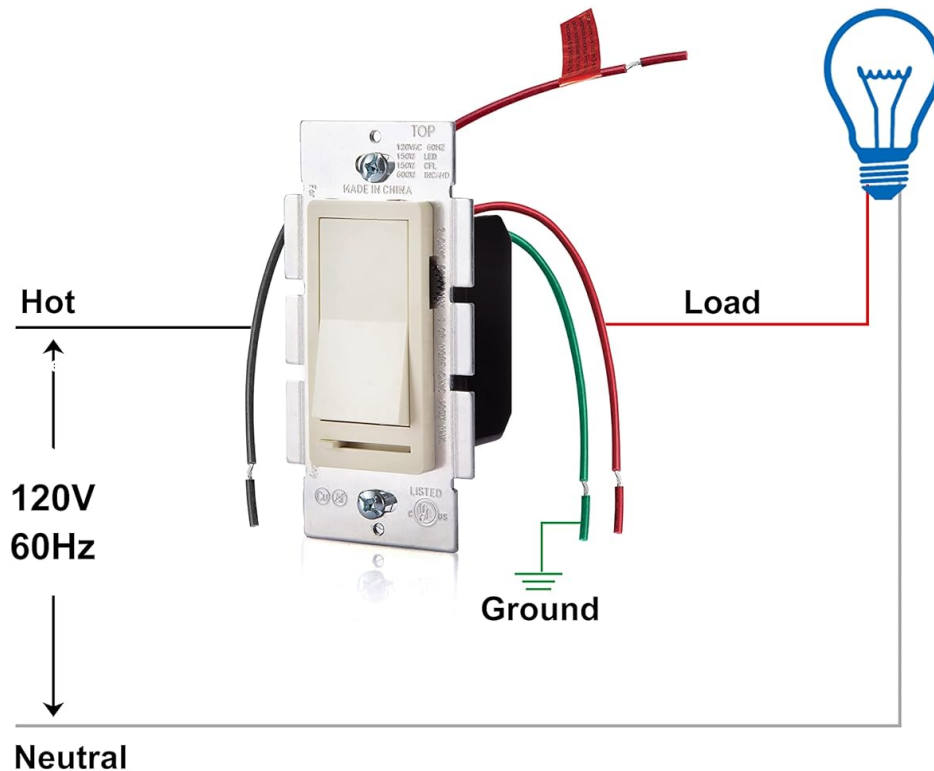


Figure 2: Single-pole wiring diagram. Connect the hot wire to the silver screw, the load wire to the brass screw, and the ground wire to the green screw. No neutral wire is required.

4.2 Wiring for 3-Way Application

A 3-way application controls a light fixture from two locations. Only one dimmer switch can be installed in a 3-way circuit. Ensure power is off before proceeding.

Single-Pole or 3-Way Compatible

Can be used in single-pole or 3-way applications where lights are controlled from one or two locations

Note:

Install only ONE dimmer switch in a 3-way circuit.

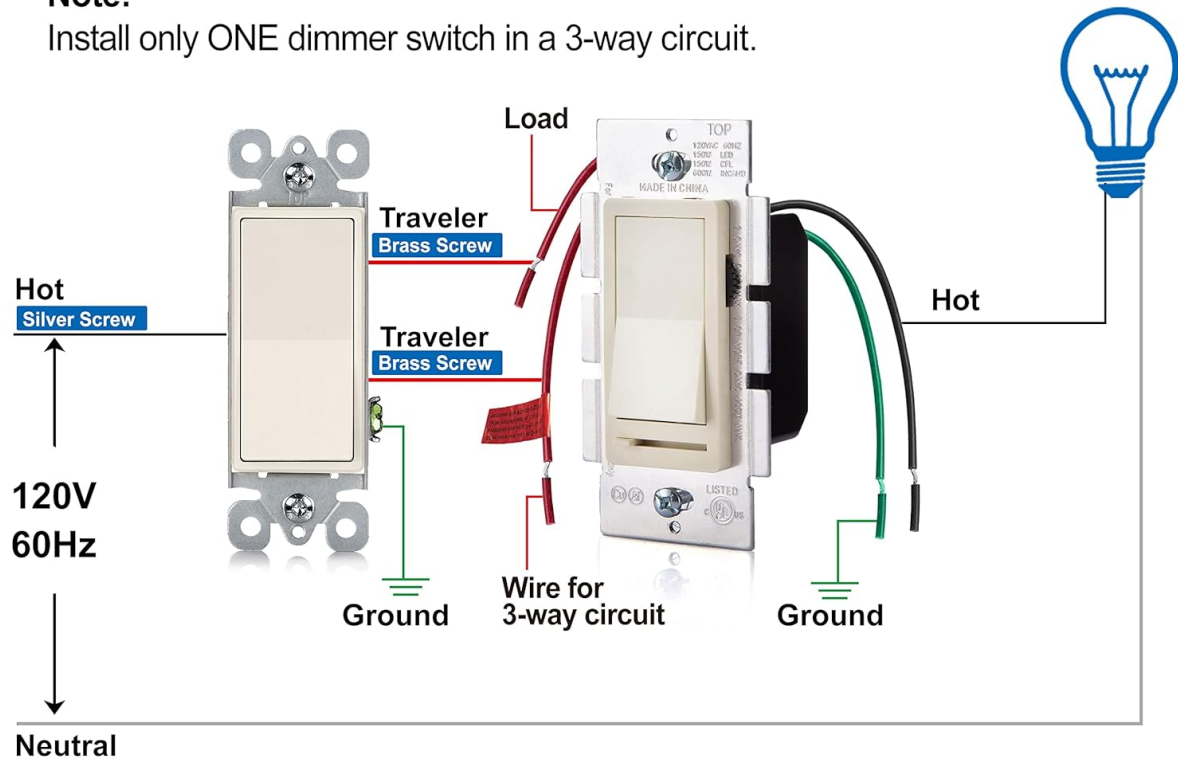


Figure 3: 3-way wiring diagram. Connect the hot wire to the silver screw, the load wire to one brass screw, and the traveler wire to the other brass screw. Connect the ground wire to the green screw. No neutral wire is required.

4.3 Dimming Range Adjustment

This dimmer features an adjustable dimming range to optimize performance and eliminate flickering with various dimmable LED/CFL bulbs. Follow these steps to adjust the dimming range:

1. Turn on the switch and move the slide dimmer to the lowest (leftmost) setting.
2. Rotate (counter-clockwise) the sensitivity dial (located on the side of the switch) all the way up.
NOTE: If the dial stops in either direction, do not force it.
3. Rotate (clockwise) the sensitivity dial down slowly until the preferred lowest light level is achieved and the lights are not flickering.

Eliminate Flickering

BESTTEN®

Dimming Range Setting



Adjust circuit dimming as follows:

- 1** Turn on the switch and move the slide dimmer to the lowest (leftmost) setting.
- 2** Rotate (Counter-Clockwise) the Sensitivity Dial all the way up.
NOTE: If the dial stops in either direction, do not continue to turn it.
- 3** Rotate (Clockwise) the Sensitivity Dial down slowly until the preferred lowest light level is achieved and the lights are not flickering.

Figure 4: Location of the sensitivity dial for dimming range adjustment.

Your browser does not support the video tag.

Video 1: Demonstration of the dimming range setting process to eliminate flickering.

5. OPERATION

- **On/Off:** Press the top or bottom of the rocker switch to turn the lights on or off.
- **Dimming:** Use the horizontal slider to adjust the light intensity. Move the slider up for brighter light and down for dimmer light.
- **Memory Function:** The switch remembers the last dimmed light setting and will turn on to that exact light level when activated.

6. COMPATIBILITY

This dimmer switch is universally compatible with most dimmable LED, CFL, incandescent, and halogen bulbs.

- **Dimmable LED/CFL:** Up to 150 Watts (minimum load: 3W)
- **Incandescent/Halogen:** Up to 600 Watts

NOTE

Dimmable LEDs may not dim the same as incandescent or halogen bulbs. Dimming range of dimmable LEDs can vary from manufacturer to manufacturer. This dimmer has an adjustable dimming range. If your bulbs do not dim to your satisfaction, hum, buzz or flicker, they may not be compatible with this dimmer. Please see user manual for dimming range adjustment.



**Dimmable
LED**

Max: 150W

Min.Load: 3W



CFL

Max: 150W



Incandescent

Max: 600W



Figure 5: Bulb compatibility and wattage ratings.

7. PRODUCT DIMENSIONS

Product Dimensions



The depth of some old electrical boxes is too shallow to fit our dimmer. They are suitable for standard outlets and switches.



For our dimmer, please match the electrical boxes whose depth is at least 2 inches.



Figure 6: Product dimensions. The switch measures approximately 4.13 x 2.12 x 1.35 inches. Ensure your electrical box has a depth of at least 2 inches for proper fit.

8. SPECIFICATIONS

Feature	Specification
Operation Mode	ON-OFF
Current Rating	15 Amps
Operating Voltage	120 Volts
Contact Type	Wires
Connector Type	Crimp
Brand	BESTTEN
Switch Type	Dimmer
Terminal	Screw

Feature	Specification
Material	Polycarbonate, Brass (Contact Material)
Item Dimensions (L x W x H)	4.13 x 2.12 x 1.35 inches
Circuit Type	3-way (also supports Single-Pole)
Mounting Type	Wall Mount
Actuator Type	Rocker
Upper Temperature Rating	40 Degrees Celsius
Wattage (Dimmable LED/CFL)	Max. 150W (Min. Load: 3W)
Wattage (Incandescent)	Max. 600W
Color	Almond
International Protection Rating	IP20
Specification Met	UL
Model Number	LUXDMWK600-12-3

9. TROUBLESHOOTING

- **Flickering Lights:** If your lights are flickering, rotate the side adjustment wheel (sensitivity dial) as described in Section 4.3 to fine-tune the dimming range. Dimmable LEDs may not dim the same as incandescent or halogen bulbs, and their dimming range can vary by manufacturer.
- **Lights Not Turning On/Off Consistently (3-Way):** In 3-way applications, ensure the line and load wires are correctly identified and connected. Incorrect wiring can cause inconsistent operation or flickering. Only one dimmer switch should be installed in a 3-way circuit.
- **Switch Does Not Fit in Electrical Box:** The dimmer switch has dimensions of 4.13 x 2.12 x 1.35 inches. Ensure your electrical box has a depth of at least 2 inches to accommodate the switch.

10. MAINTENANCE

To clean the dimmer switch and wall plate, wipe with a soft, damp cloth. Do not use abrasive cleaners or solvents. Ensure power is off before cleaning.

11. WARRANTY AND SUPPORT

For warranty information or technical support, please refer to the manufacturer's official website or contact their customer service. Keep your purchase receipt for proof of purchase.