

Manuals+

[Q & A](#) | [Deep Search](#) | [Upload](#)

[manuals.plus](#) /

> [MHCOZY](#) /

> [MHCOZY 2-Channel ZigBee Dry Contact Relay User Manual \(Model ZIG2CH\)](#)

MHCOZY ZIG2CH

MHCOZY 2-Channel ZigBee Dry Contact Relay User Manual

Model: ZIG2CH

INTRODUCTION

The MHCOZY ZigBee Smart Switch is designed for DIY smart home applications, allowing control of household appliances or electrical devices remotely. This 2-channel dry contact relay supports two operating voltages: USB 5V or AC/DC 7-32V. It features a low power consumption of less than 1W and a standby current of 80mA. The relay has a cut-off current of less than 10A and a cut-off voltage of less than 250V. It operates within a temperature range of -40 to 70 °C and a humidity range of 40% to 80% relative humidity.

This device offers three primary operating modes: Standard Inching, Self-locking, and Interlock. It integrates with popular smart home platforms like Tuya, SmartThings, Alexa, and Google Home for voice control and remote management. The package includes one ZigBee Wireless Smart Relay Switch and a user manual.

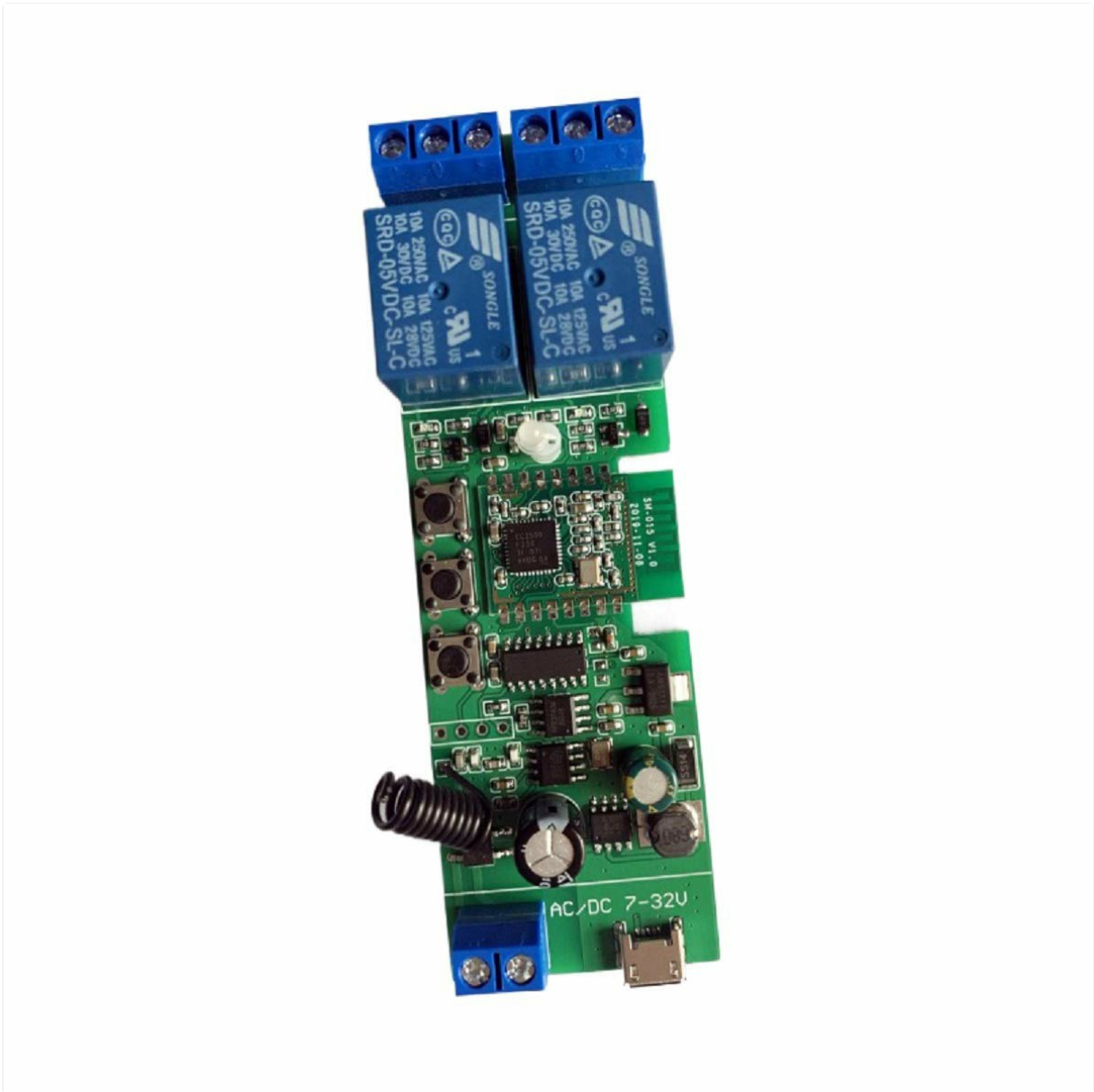


Image: Overview of the MHCOZY 2-Channel ZigBee Dry Contact Relay, showcasing its compatibility with ZigBee, Tuya, Amazon Alexa, and Google Assistant, along with various smart home devices.

SETUP

1. Power Supply

The relay supports two power input options:

- **USB 5V:** Connect a standard 5V USB power adapter to the micro USB port on the device.
- **AC/DC 7-32V:** Connect an AC or DC power source within the 7-32V range to the designated input terminals (labeled 'Input DC 7-32V' or similar).

2. Wiring and Component Identification

Identify the various components and connection points on the relay module for proper wiring.

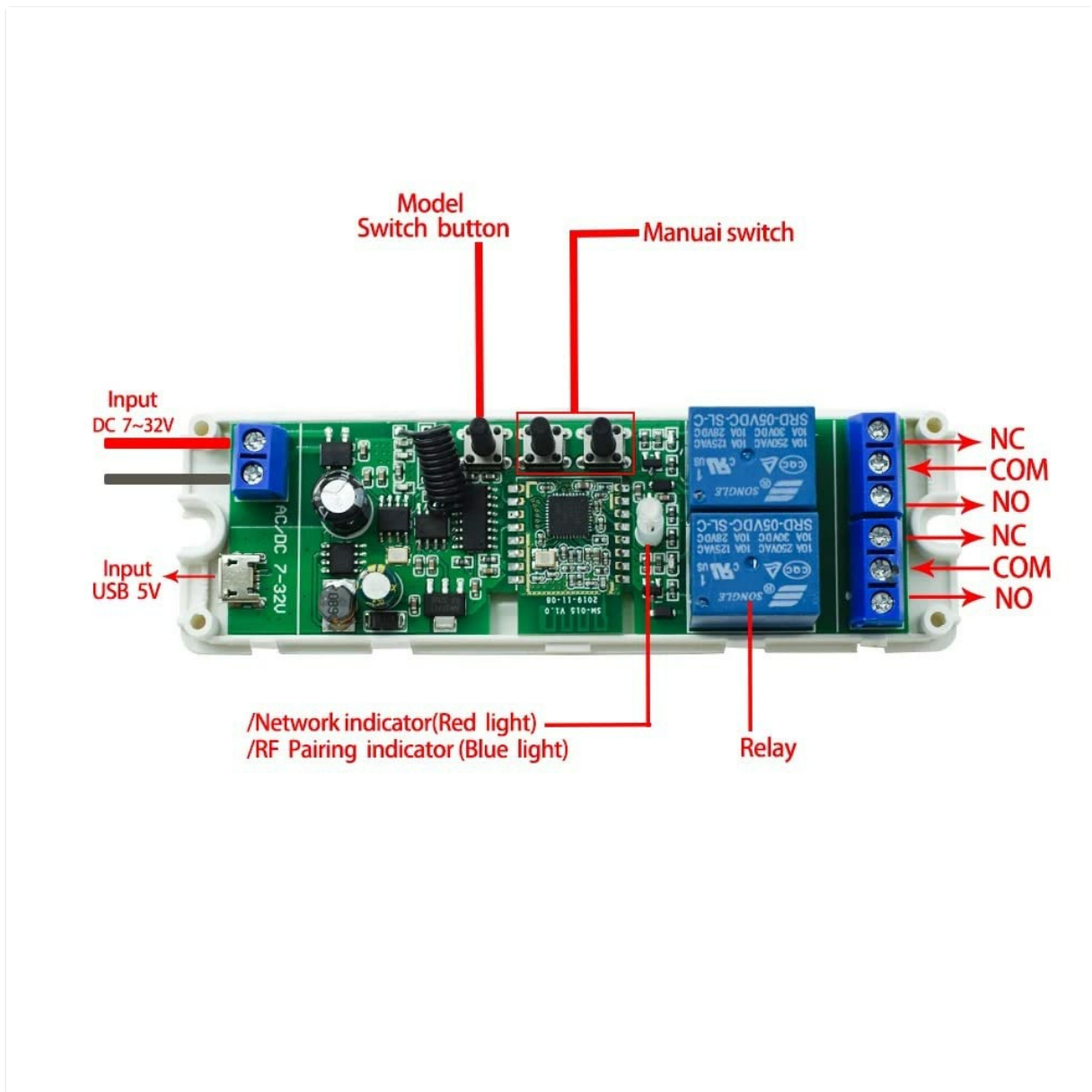


Image: Detailed view of the relay board, showing input terminals (DC 7-32V, USB 5V), Model Switch button, Manual switches, Network indicator (Red light), RF Pairing indicator (Blue light), and Relay output terminals (NC, COM, NO).

- **Input (DC 7-32V):** Terminals for primary power input.
- **Input (USB 5V):** Micro USB port for alternative 5V power.
- **Model Switch button:** Used to change operating modes.
- **Manual switch:** Buttons for manual control of each relay channel.
- **Network indicator (Red light):** Indicates network status.
- **RF Pairing indicator (Blue light):** Indicates RF pairing status.
- **Relay Output Terminals (NC, COM, NO):** Connect your devices to these terminals. **NC** (Normally Closed), **COM** (Common), **NO** (Normally Open).

3. Pairing with ZigBee Gateway

The device adopts the ZigBee 3.0 protocol for quick pairing.

Compatible Gateway



SmartThings



Sonoff



Tuya



Ewelink



Image: Compatible ZigBee gateways such as SmartThings, Sonoff, Tuya, Ewelink, and Hubitat.

1. Ensure your ZigBee gateway (e.g., Tuya Smart Life, Sonoff ZigBee Bridge, SmartThings, Ewelink, Hubitat) is powered on and in pairing mode.
2. Power on the MHCOZY ZigBee relay.
3. Press and hold the 'Model Switch' button on the relay for approximately 5-7 seconds until the network indicator light blinks, indicating it is in pairing mode.
4. Open your ZigBee gateway's application (e.g., Tuya Smart Life app) and follow the instructions to add a new device. The device should be discovered automatically.
5. Once paired, the network indicator light will stop blinking and remain solid.

Note on Alexa Integration: For individual channel control in Alexa, first configure the device with the Tuya app, then link the Tuya app to Alexa. If connecting directly to an Echo device, the ZigBee function might be recognized as a single channel.

4. 433MHz RF Receiver (Optional)

The device includes a built-in 433MHz RF receiver, supporting fixed code 433MHz RF learning (RF remote not included). Refer to the RF remote's manual for pairing instructions if you wish to use this feature.

OPERATING MODES

The MHCOZY ZigBee relay supports three operating modes: Inching, Self-locking, and Interlock. You can switch between these modes by pressing the 'Mode Switch' button on the board.

set inching mode by pressing mode switch mode on board

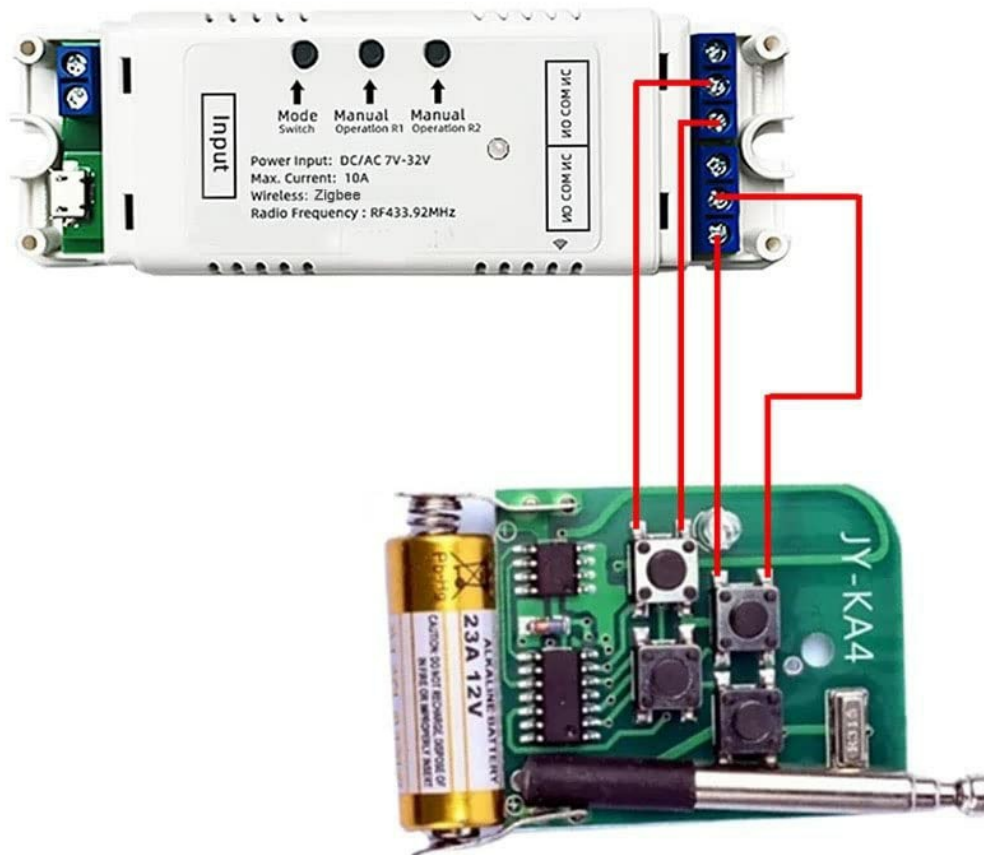


Image: Illustration demonstrating the location of the 'Mode Switch' button used to configure the operating mode of the relay.

1. Standard Inching Function (Momentary Mode)

- In this mode, the relay turns on for a brief, adjustable period (default is one second) when triggered, then automatically turns off.
- Ideal for applications requiring a momentary pulse, such as garage door openers, PC power buttons, or electric door strikes.
- Functions as a wireless button.

2. Self-locking Mode (Latching Mode)

- In self-locking mode, a trigger turns the connected device ON, and it remains ON until another trigger turns it OFF.
- Suitable for controlling lights, fans, or other appliances that require a continuous ON/OFF state.
- Functions as a wireless switch.

3. Interlock Mode

- In interlock mode, when one relay channel is turned ON, the other channel is automatically turned OFF. This prevents both channels from being active simultaneously.
- Commonly used for controlling motors with forward and reverse functions, such as motorized roller blinds or garage door motors, where only one direction should be active at a time.

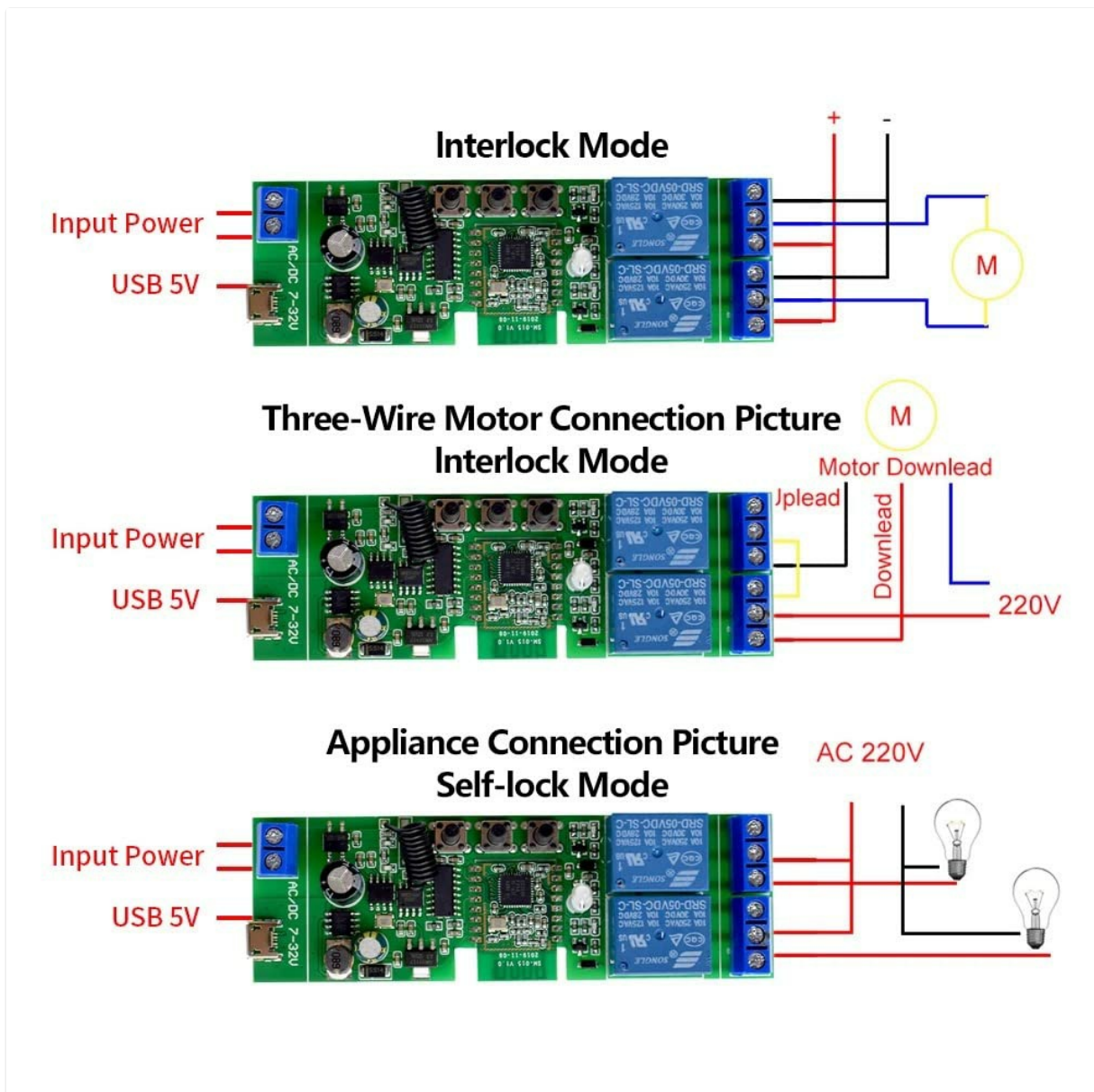


Image: Connection diagrams illustrating wiring for Interlock Mode (motor control), Three-Wire Motor Connection, and Self-lock Mode (AC 220V appliance control).

4. Voice Control

Once integrated with Amazon Alexa or Google Home, you can control your devices using voice commands:

- "Alexa, turn on the light."
- "Alexa, open the garage door."
- "Hey Google, turn on the bedroom light."

5. Timer and Scheduling

Utilize the features within your ZigBee gateway's application (e.g., Tuya Smart Life app) to set countdown timers, scheduled ON/OFF times, or loop timers for automated control of your connected devices.

MAINTENANCE

The MHCOZY ZigBee Dry Contact Relay is designed for low maintenance. To ensure optimal performance and longevity:

- Keep the device in a dry environment, away from moisture and extreme temperatures.
- Avoid exposing the device to direct sunlight for extended periods.
- Clean the exterior gently with a dry, soft cloth if necessary. Do not use liquid cleaners or solvents.
- Ensure all wiring connections are secure and free from corrosion.

TROUBLESHOOTING

- **Device not pairing with Gateway:**

Ensure the gateway is in pairing mode and the relay is powered on. Press and hold the 'Model Switch' button on the relay for 5-7 seconds until the network indicator blinks. Ensure the relay is within range of the ZigBee gateway.

- **No response from connected device:**

Verify the power supply to the relay is correct (5V USB or 7-32V AC/DC). Check all wiring connections to the relay output terminals (NC, COM, NO) and to your appliance. Ensure the relay is in the correct operating mode for your application.

- **Voice control not working:**

Confirm the relay is successfully paired with your ZigBee gateway and linked to your Alexa or Google Home account. Ensure the device name in the smart home app is easily recognizable by voice commands.

- **Difficulty understanding button functions:**

The 'Model Switch' button is used to cycle through the operating modes (Inching, Self-locking, Interlock). The 'Manual switch' buttons provide direct physical control for each relay channel.

SPECIFICATIONS

Feature	Specification
Brand	MHCOZY
Model Number	ZIG2CH
Manufacturer	Mic technology co.,ltd
Product Dimensions (L x W x H)	12.49 x 4.5 x 2.3 cm; 45.36 grams
Operating Voltage	DC 5V (USB) or AC/DC 7-32V
Power Consumption	<1 W
Standby Current	80 mA
Current Rating	10 A
Cut-off Voltage	<250 V
Minimum Switching Voltage	5 Volts (DC)
Coil Voltage	5 Volts (DC)

Power	120 Watts
Operating Temperature	-40 to 70 °C
Working Humidity	40% to 80% RH
Operating Modes	Inching (Momentary), Self-locking (Latching), Interlock
Switch Type	2-way Relay
Mounting Type	Surface Mount
Connector Type	Terminal Block
Contact Material	Copper
Contact Type	Normally Open
Certifications	UL
Batteries Required	No
Number of Items in Package	1

WARRANTY AND SUPPORT

Specific warranty information for the MHCOZY 2-Channel ZigBee Dry Contact Relay is not provided in this manual. For warranty details, technical support, or assistance with product operation, please contact the manufacturer or your point of purchase. Ensure you have your product model number (ZIG2CH) and purchase details available when seeking support.