



Manuals.plus /

- › KCO /
- › KCO Lighting Modern Globe Linear Chandelier (Model L1039) Instruction Manual

KCO L1039

KCO Lighting Modern Globe Linear Chandelier (Model L1039) Instruction Manual

Brand: KCO | Model: L1039

1. PRODUCT OVERVIEW

The KCO Lighting Modern Globe Linear Chandelier (Model L1039) is a sophisticated 6-light fixture designed to enhance various indoor spaces. It features a durable golden iron lamp body with six milk glass globes, providing a blend of modern and mid-century aesthetics. This chandelier offers adjustable hanging height and is compatible with both parallel and sloped ceilings, making it versatile for living rooms, dining rooms, kitchen islands, and more.



Image 1.1: KCO Lighting Modern Globe Linear Chandelier (Model L1039) in Gold and White.

2. SAFETY INFORMATION

- **Electrical Safety:** Always turn off the main power supply at the circuit breaker before beginning any installation, maintenance, or bulb replacement.
- **Professional Installation:** For safety and proper functionality, it is highly recommended to have this fixture installed by a qualified electrician.
- **Handling Glass:** Handle glass globes with care to prevent breakage. Wear gloves during installation to avoid fingerprints and ensure a clean finish.
- **Weight:** The fixture weighs approximately 10.33 pounds. Ensure the ceiling junction box and mounting hardware can safely support this weight.
- **Indoor Use Only:** This product is designed for indoor use only. Do not install in outdoor or wet locations.

3. PACKAGE CONTENTS

Verify that all components are present and undamaged before proceeding with installation.

- Linear Chandelier Body (Gold finish)
- 6 Milk Glass Globes (5.9 inches diameter)
- Adjustable Hanging Cord
- Ceiling Plate/Canopy (4.7 inches diameter)
- Mounting Hardware (screws, wire connectors, etc.)
- *Note: Light bulbs are typically not included or may be non-dimmable. E26 base bulbs are required. Consider dimmable E26 base candelabra or globe-shaped bulbs for dimming functionality.*

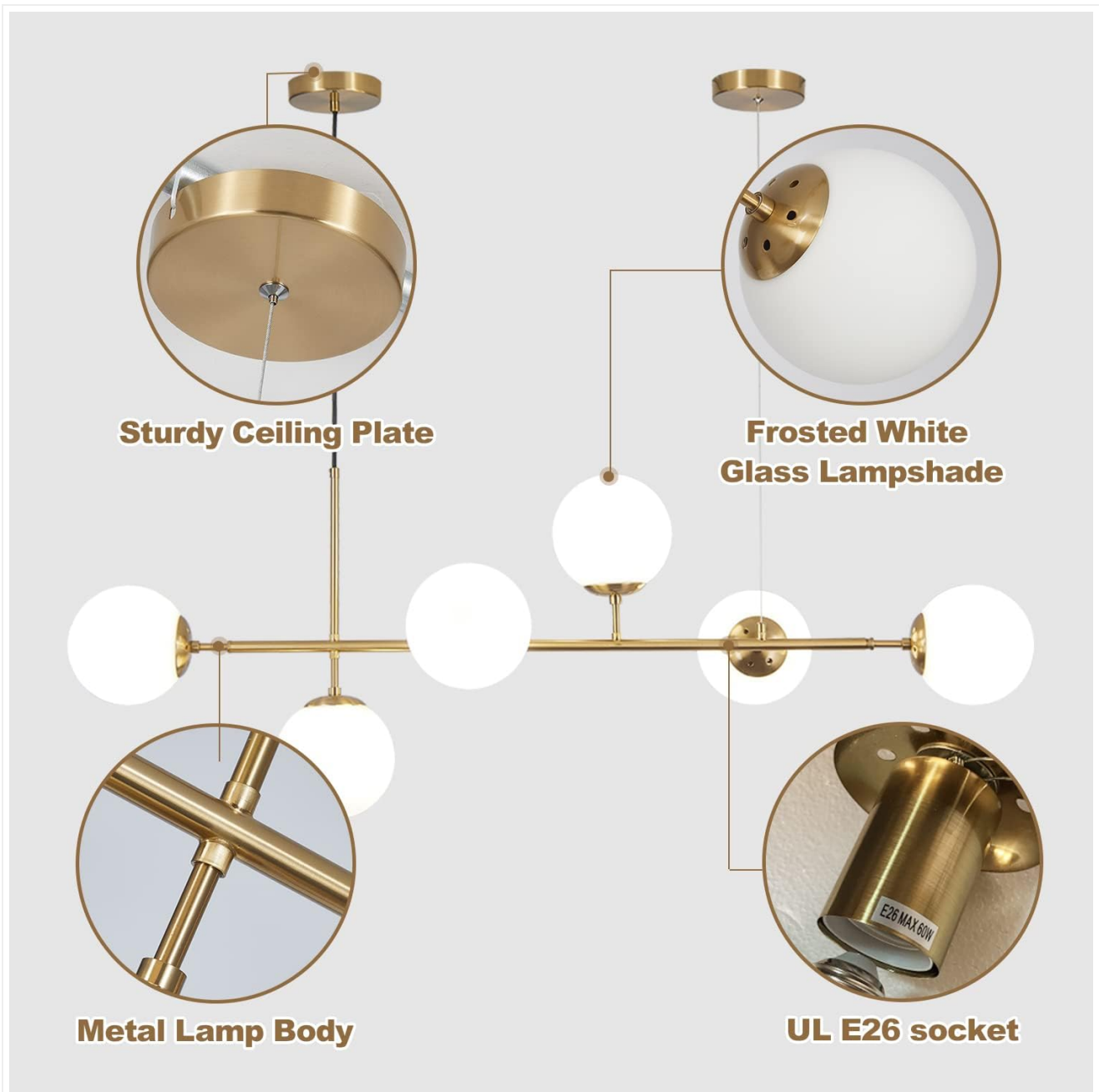


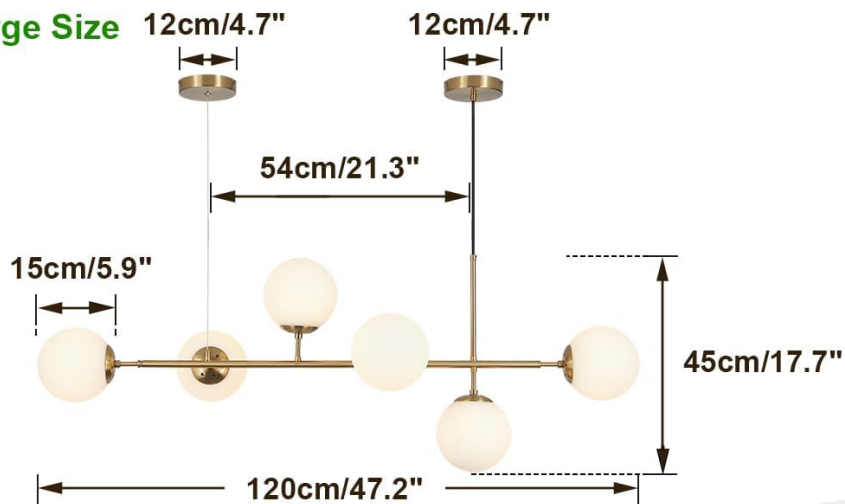
Image 3.1: Key components of the KCO Lighting Chandelier.

4. SPECIFICATIONS

Feature	Detail
Brand	KCO
Model Number	L1039
Color	Gold+White
Material	Glass, Metal
Style	Mid-Century Modern
Light Fixture Form	Chandelier
Product Dimensions	47.2"L x 17.7"W x 17.7"H
Light Source Type	LED (Bulbs not included)
Number of Light Sources	6
Bulb Base	E26
Max Wattage per Bulb	60 watts
Voltage	110-240V
Special Feature	Adjustable Height
Installation Type	Semi Flush Mount
Item Weight	10.33 Pounds
Shade Material	Glass
Shade Color	White

KCO Lights

✓ KCO: Large Size



OTHERS

✗ Other: Small Size

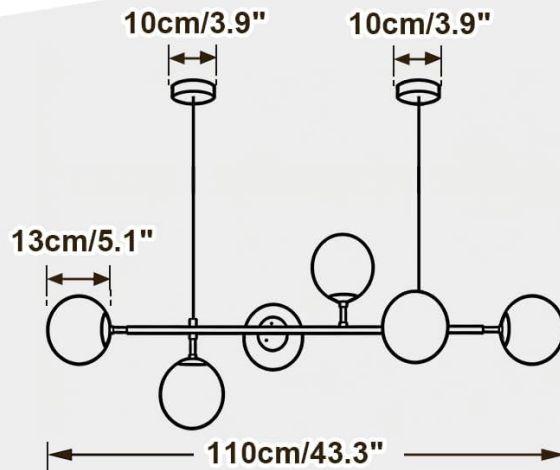


Image 4.1: Product dimensions of the KCO Lighting Chandelier.

5. INSTALLATION INSTRUCTIONS (SETUP)

Before You Begin:

- Turn off power at the circuit breaker.
- Ensure you have all necessary tools (screwdriver, wire strippers, ladder, etc.).
- It is recommended to have two people for installation due to the size and weight of the fixture.
- Consider wearing gloves to protect the finish and glass from fingerprints.

Steps:

1. **Prepare the Mounting Plate:** Attach the mounting plate to your ceiling junction box using the provided screws. Ensure it is securely fastened.
2. **Connect Wiring:** Carefully connect the chandelier's electrical wires to your household wiring according to local electrical codes. Typically, this involves connecting live to live, neutral to neutral, and ground to ground. Use the included wire connectors.

3. **Adjust Hanging Height:** The chandelier comes with an adjustable hanging cord. Adjust the length of the cord to achieve your desired hanging height. This can be done by feeding the cord through the canopy and securing it.
4. **Secure the Canopy:** Once the wiring is connected and the height is adjusted, carefully push the canopy up against the ceiling and secure it with the provided screws or nuts.
5. **Attach the Linear Body:** Connect the linear lamp body to the hanging rod.
6. **Install Glass Globes:** Carefully screw each milk glass globe onto its respective socket on the linear body.
7. **Insert Light Bulbs:** Screw in the E26 base light bulbs (not included). If using a dimmer switch, ensure bulbs are dimmable.
8. **Restore Power:** Turn the power back on at the circuit breaker and test the chandelier.

Video 5.1: Official KCO Lighting video demonstrating the Modern Globe Linear Chandelier in White and Gold, showcasing its design and features relevant to installation and appearance.

6. OPERATION

The KCO Lighting Chandelier operates like a standard light fixture. Once installed and wired correctly, it can be turned on and off using a wall switch.

- **Dimmable Functionality:** If you wish to use the chandelier with a dimmer, ensure that you install dimmable E26 base light bulbs and connect it to a compatible dimmer switch.
- **Light Color:** The light color (e.g., warm white, neutral light, white light) will depend on the type of bulbs you install.

7. MAINTENANCE

Regular maintenance will help preserve the appearance and functionality of your chandelier.

- **Cleaning:** To clean the glass globes and metal body, turn off the power to the fixture. Use a soft, lint-free cloth. For glass, a glass cleaner (like Windex) can be used. For the metal finish, a dry or slightly damp cloth is usually sufficient. Avoid abrasive cleaners or harsh chemicals that could damage the finish.
- **Bulb Replacement:** Ensure the power is off before replacing any bulbs. Allow bulbs to cool completely before handling. Replace with E26 base bulbs, up to 60 watts each.
- **Inspection:** Periodically check all connections and mounting hardware to ensure they remain secure.

8. TROUBLESHOOTING

If you encounter issues with your KCO Lighting Chandelier, refer to the following common solutions:

- **Light Not Turning On:**
 - Check the circuit breaker to ensure power is on.
 - Verify that bulbs are correctly installed and not burnt out.
 - Inspect wiring connections for any loose or incorrect connections (ensure power is off before inspecting wiring).
- **Flickering Bulbs:**
 - If using a dimmer switch, ensure that the installed bulbs are specifically rated as dimmable. Non-

dimnable bulbs may flicker on a dimmer circuit.

- Ensure bulbs are screwed in tightly.

- **Fixture Appears Loose:**

- Turn off power. Carefully check the mounting plate and canopy screws to ensure they are tightened securely to the ceiling junction box.

If these steps do not resolve the issue, please contact KCO Lighting customer support.

9. WARRANTY AND SUPPORT

KCO Lighting offers a **3-year after-sale service** for this product.

- **Quality Issues:** If you experience any quality issues with your chandelier, please contact KCO Lighting for a free replacement.
- **Damaged or Missing Parts:** In the event of receiving broken, damaged, cracked, or shattered glass lampshades, a damaged lamp body, or missing parts, please contact the seller via your order number. Replacements will be sent as soon as possible.
- **Professional Services:** For any problems or concerns, KCO Lighting aims to provide a solution within 24 hours.

For further assistance, please refer to your purchase documentation or contact KCO Lighting customer service directly.