



Manuals.plus /

› APPASO /

› APPASO APS278BN 2-Hole Kitchen Faucet with Pull-Down Sprayer User Manual

APPASO APS278BN

APPASO APS278BN 2-Hole Kitchen Faucet with Pull-Down Sprayer User Manual

Model: APS278BN

1. INTRODUCTION

Thank you for choosing the APPASO APS278BN 2-Hole Kitchen Faucet with Pull-Down Sprayer. This manual provides detailed instructions for the safe installation, operation, and maintenance of your new kitchen faucet. Please read this manual thoroughly before installation and keep it for future reference.

2. PRODUCT FEATURES

- **Multi-Function Sprayer:** Easily toggle between splash-free aerated stream and powerful pre-rinse spray modes.
- **Lead-Free & Easy To Clean:** Constructed with a premium valve core and lead-free materials for healthy water. The deep plating brushed nickel finish resists fingerprints and spots.
- **Healthy Faucet Aerator:** Features a honeycomb-shaped aerator with multiple filters for clean, soft water without splashing or noise.
- **Easy Installation:** Quick-in system allows for DIY installation in approximately 20 minutes without specialized tools.
- **Environmental Protection & CEC Certification:** CEC certified with a water consumption of 1.8 GPM to ensure efficient water usage.
- **360° Swivel:** Provides full sink access and flexibility.
- **Leak Resistant:** Designed for durability and to prevent leaks.

The Certified Core

Fully certified to cUPC lead-free/safety standards.

Every drop guarded for your family



Figure 1: The faucet's certified core ensures lead-free and safe water for your family.

3. SPECIFICATIONS

Brand	APPASO
Model Number	APS278BN
Recommended Uses	Kitchen
Mounting Type	Deck Mount
Finish Type	Brushed Nickel
Material	Heavy-Duty 304 Stainless Steel + High Temperature and Pressure Resistant PEX Hose
Color	Satin Nickel
Number of Handles	1
Hole Count	2
Special Feature	360 Swivel, Lead Free, Leak Resistant, Pull Down Sprayer
Water Consumption	1.8 GPM
Certifications	CEC Certified, cUPC lead-free/safety standards



Figure 2: Faucet Dimensions and Mounting Requirements. Maximum counter thickness: 1-3/5" (4cm). Mounting hole size: 1-1/4" ~ 1-2/5" (3.2 ~ 3.5cm).

4. INCLUDED COMPONENTS

The APPASO APS278BN kitchen faucet package includes the following items:

- 1x APPASO Kitchen Faucet (Hot & Cold Water Hoses Pre-Installed)
- 1x Accessories: Rubber, Gasket, Nut
- 1x User Manual (this document)
- 1x Weight for pull-down hose

Your browser does not support the video tag.

Video 1: Unboxing the APPASO Kitchen Faucet, showing all included components and accessories.

5. SAFETY INFORMATION

- Always turn off the main water supply before beginning any installation or maintenance.
- Wear appropriate personal protective equipment, such as safety glasses and gloves, during installation.
- Ensure all connections are tight to prevent leaks, but do not overtighten.
- If you are unsure about any part of the installation process, consult a qualified plumber.
- Keep small parts away from children to prevent choking hazards.

6. INSTALLATION GUIDE

Follow these steps for a quick and easy installation of your APPASO kitchen faucet. The quick-in system is designed for a straightforward DIY process.

1. **Prepare the Sink:** Ensure the sink area is clean and dry. Turn off the hot and cold water supply lines under the sink.
2. **Install the Faucet Body:** Insert the main faucet body through the primary hole in your sink or countertop. Secure it from underneath with the provided rubber gasket, metal washer, and mounting nut. Tighten the nut using a screwdriver.
3. **Install the Handle:** Insert the handle body through the secondary hole. Secure it from underneath with its corresponding mounting hardware.
4. **Connect Water Lines:** Connect the pre-installed hot and cold water hoses from the faucet to your home's water supply lines. Ensure the hot water line (red marking) connects to the hot supply and the cold water line (blue marking) connects to the cold supply.
5. **Attach Pull-Down Hose and Weight:** Connect the pull-down sprayer hose to the quick-connect fitting under the faucet. Attach the weight to the pull-down hose at the indicated position to ensure smooth retraction.
6. **Test for Leaks:** Slowly turn on the hot and cold water supply valves. Check all connections for any signs of leaks. Operate the faucet to ensure proper water flow and temperature control.

Your browser does not support the video tag.

Video 2: Step-by-step visual guide for installing the APPASO kitchen faucet, demonstrating the quick-in system.



Figure 3: Visual representation of the 5-step installation process for the APPASO faucet.

7. OPERATING INSTRUCTIONS

Your APPASO faucet is designed for ease of use and versatility in your kitchen tasks.

7.1 Water Flow and Temperature Control

- **Turning On/Off:** Lift the single handle to turn on the water flow. Push it down to turn off.
- **Temperature Adjustment:** Move the handle to the left for hot water and to the right for cold water.

7.2 Pull-Down Sprayer Functions

- **Pulling Down:** Gently pull the sprayer head down from the spout to extend the hose.
- **Spray Modes:** Use the buttons on the sprayer head to switch between the following modes:
 - **Stream Mode:** Provides a steady, aerated flow for filling pots and general washing.
 - **Spray Mode:** Delivers a powerful, wide spray for rinsing dishes and cleaning the sink.
 - **Broom Mode:** Offers 50% stronger pressure for tackling stubborn grime.
- **Retracting:** The weight on the hose will automatically retract the sprayer head back into the spout when released.



Figure 4: Illustration of the 3-in-1 Power System with stream, spray, and broom modes.

Keep Countertops Dry, Finally

Neoperl aerator technology for gentle splash-free flow



OTHERS

Water splashed onto the countertop and clothing

Figure 5: The Neoperl aerator technology ensures gentle, splash-free water flow, keeping countertops dry.



Figure 6: The 20-inch pull-down sprayer provides easy access for washing vegetables and other items.

Your browser does not support the video tag.

Video 3: Demonstration of the faucet's features, including the pull-down sprayer and different water modes.

8. CARE AND MAINTENANCE

Proper care will ensure the longevity and continued performance of your APPASO faucet.

- **Cleaning the Finish:** The brushed nickel finish is designed to resist fingerprints and spots. Clean regularly with a soft, damp cloth and mild soap. Avoid abrasive cleaners, harsh chemicals, or scouring pads, as these can damage the finish.

- **Aerator Maintenance:** Periodically unscrew the aerator from the sprayer head and clean any mineral deposits or debris. This will help maintain optimal water flow and prevent splashing.
- **Leak Prevention:** The faucet features a premium valve core designed for leak resistance. If you notice any drips, ensure all connections are secure.
- **Hose Care:** Ensure the pull-down hose moves freely under the sink and is not obstructed by objects.

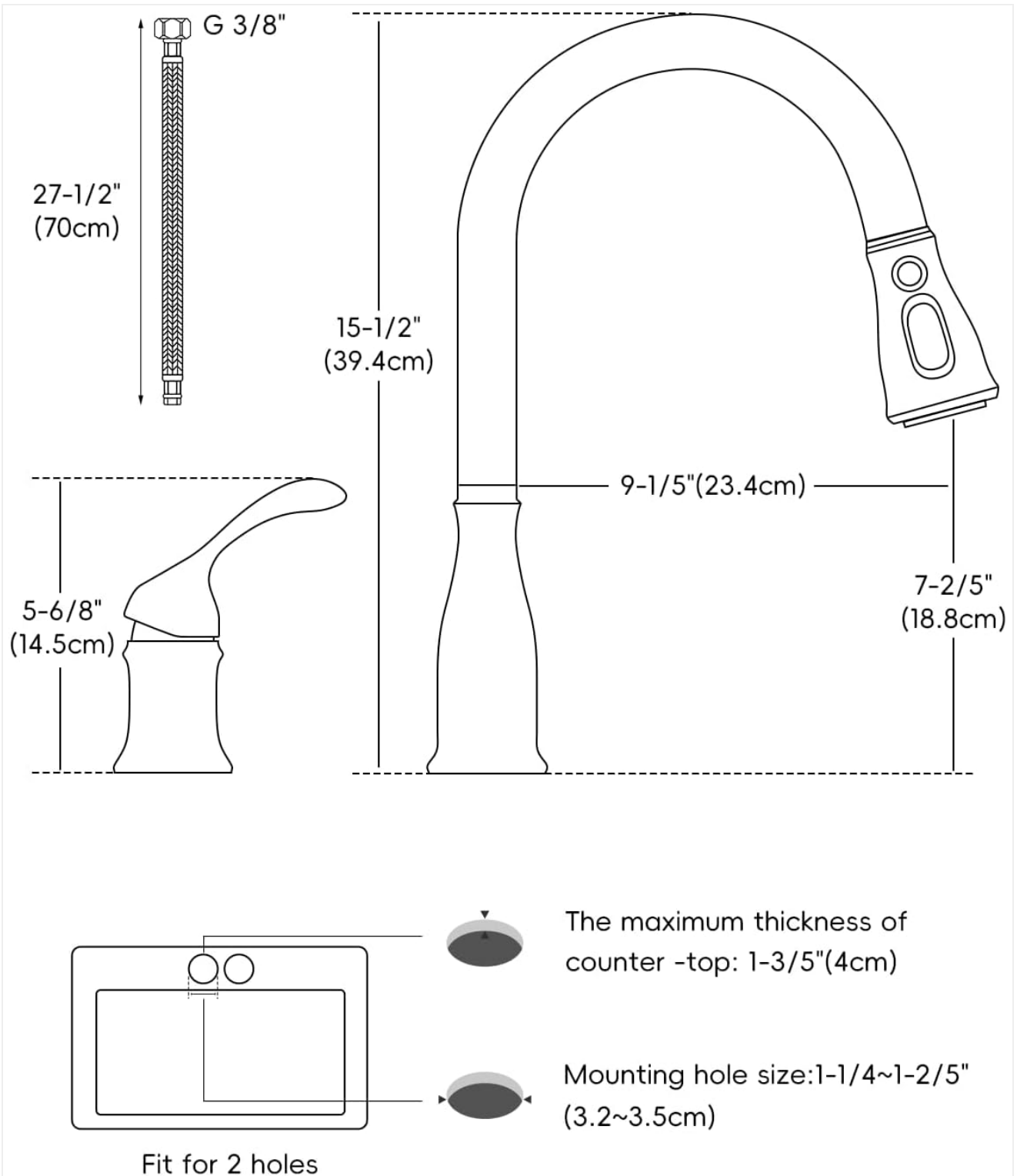


Figure 7: The faucet's finish is tested for durability in harsh conditions, ensuring long-lasting appearance.

9. TROUBLESHOOTING

Problem	Possible Cause	Solution
Low Water Flow	Clogged aerator; partially closed shut-off valve; kinked supply line.	Clean the aerator; ensure shut-off valves are fully open; check supply lines for kinks.
Leaking from Faucet Base	Loose mounting nut; worn O-rings.	Tighten the mounting nut (do not overtighten); replace O-rings if worn.
Sprayer Not Retracting	Weight on hose is misplaced or obstructed.	Ensure the weight is correctly positioned on the hose and there are no obstructions under the sink.
Inconsistent Water Temperature	Faulty cartridge; issues with water heater.	Contact customer support for cartridge replacement; check water heater settings.

10. WARRANTY AND SUPPORT

APPASO products are manufactured to the highest quality standards and are backed by a manufacturer's warranty. For specific warranty details, please refer to the warranty card included with your purchase or visit the official APPASO website.

If you encounter any issues or have questions regarding your faucet, please contact APPASO customer support for assistance. Our team is dedicated to providing excellent service and support.

For further information, visit: [APPASO Store on Amazon](#)