

[Manuals.plus](#) /

> [vidaXL](#) /

> vidaXL Forged Iron Garden Pergola Instruction Manual - Model 313999

vidaXL 313999

vidaXL Forged Iron Garden Pergola Instruction Manual

Model: 313999 | Dimensions: 6 x 3 x 2.5 m

IMPORTANT SAFETY INFORMATION

Please read all safety warnings and instructions carefully before assembly and use. Failure to follow these instructions may result in injury or damage to the product.

- Exercise caution during assembly and maintenance.
- Keep the pergola away from excessive heat and humidity to prevent structural damage.
- Ensure the pergola is securely anchored to withstand wind and other environmental factors.
- Do not overload the structure with excessive weight from climbing plants or other objects.

PRODUCT OVERVIEW

This vidaXL Garden Pergola is designed to enhance your garden, patio, or terrace, providing an ideal support structure for climbing plants and a charming outdoor feature. Constructed from durable forged iron with an antique brown finish, it offers both strength and aesthetic appeal.



Image: The vidaXL Forged Iron Garden Pergola providing shade and support for climbing plants on a patio.

Features

- Ideal for roses and various climbing plants in gardens, patios, or terraces.
- Robust forged iron frame ensures strength and durability for plant support.
- Elegant ornamental design adds a romantic touch to your outdoor space.
- Provides ideal shade during summer when covered by plants.
- Suitable for ivy, clematis, wisteria, grapevines, and other flowering plants.

Specifications

Attribute	Detail
Color	Antique Brown
Material	Forged Iron
Dimensions (L x W x H)	6 x 3 x 2.5 m (236.2 x 118.1 x 98.4 inches)
Weight	23.3 kg (51.37 lbs)
Model Number	313999

Assembly Required

Yes

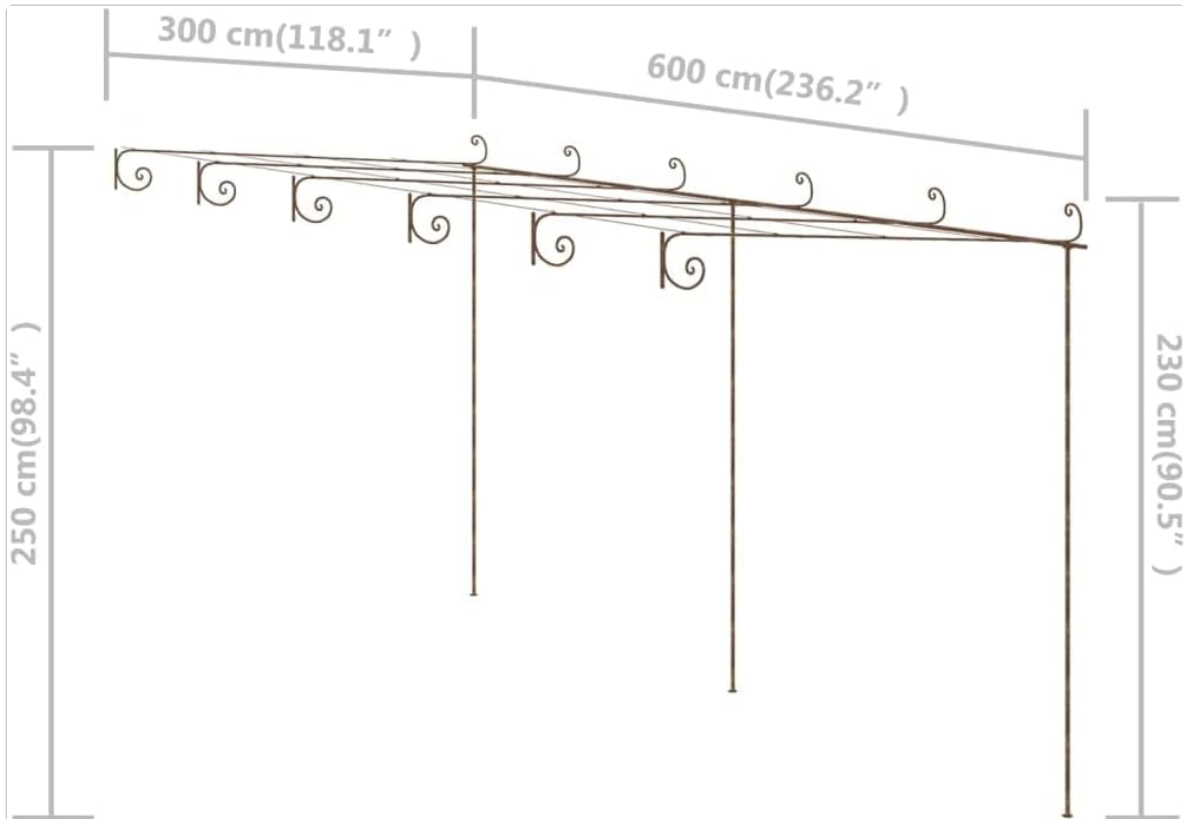


Image: Dimensional diagram of the pergola, indicating length, width, and height.

SETUP AND ASSEMBLY

Assembly of the vidaXL Garden Pergola is required. Please ensure all components are present before beginning. It is recommended to assemble the pergola with at least two people for safety and ease.

Required Tools (Not Included):

- Wrench or adjustable spanner
- Measuring tape
- Level
- Drill (if anchoring to concrete/decking)
- Safety gloves

Assembly Steps:

1. **Unpack and Identify Components:** Carefully unpack all parts and lay them out. Refer to the included parts list (if available) to ensure all pieces are accounted for.
2. **Assemble Base Sections:** Connect the vertical support posts to their respective base plates. Ensure all connections are secure but do not fully tighten bolts until the entire structure is assembled.



Image: Detail of a base plate, showing anchor points.

3. **Attach Horizontal Beams:** Connect the horizontal support beams to the top of the vertical posts. Pay attention to the orientation of decorative elements.
4. **Install Top Grids/Lattices:** Place and secure the top grid sections that will support climbing plants.

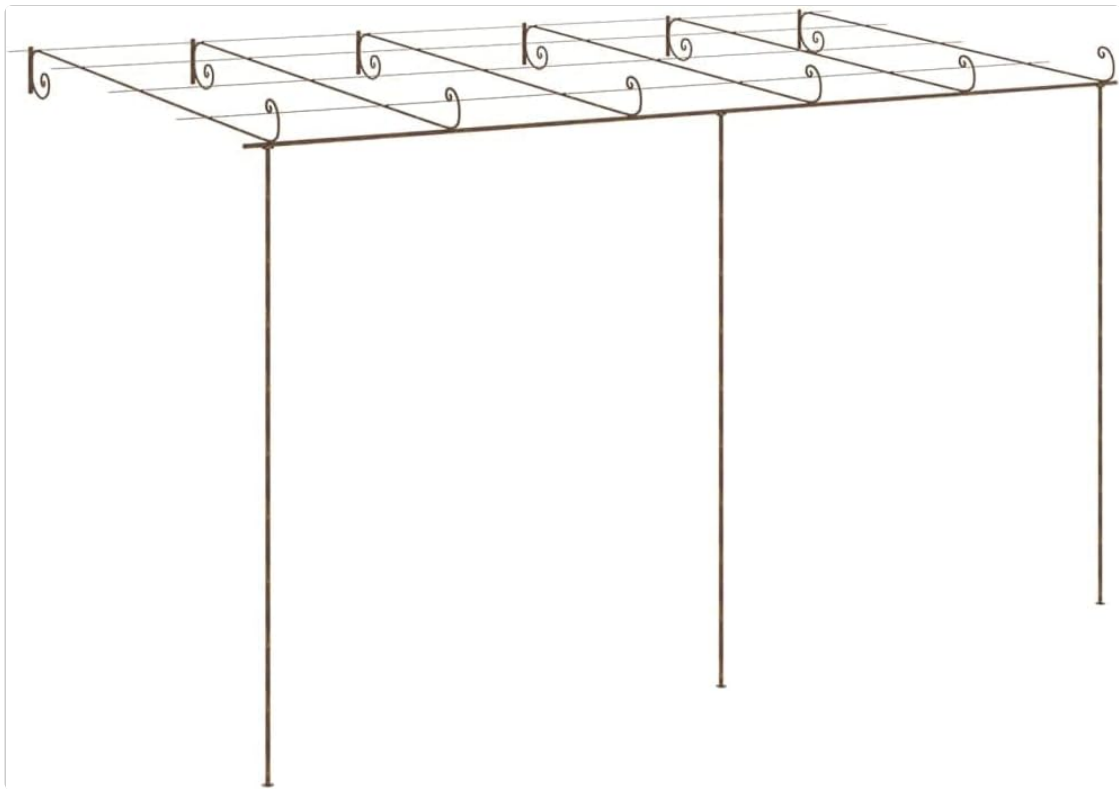


Image: Front view of the pergola structure, illustrating the assembled frame.

5. **Position and Anchor:** Once the main structure is assembled, carefully move it to its desired location. Use appropriate anchors (not included) to secure the base plates to the ground (e.g., concrete, decking) to prevent tipping or movement, especially in windy conditions.
6. **Final Tightening:** Once positioned and anchored, fully tighten all bolts and connections.

USAGE GUIDELINES

The vidaXL Garden Pergola is designed to create an inviting outdoor space and support the growth of various climbing plants.

- **Plant Support:** Guide climbing plants such as roses, ivy, clematis, or wisteria along the forged iron frame. As plants grow, they will cover the top, providing natural shade.
- **Shade Provision:** Once covered by dense foliage, the pergola offers a pleasant shaded area, ideal for relaxation or outdoor dining.
- **Decorative Element:** The antique brown finish and ornamental design serve as an elegant focal point in your garden or patio.

CARE AND MAINTENANCE

Proper care will extend the life and maintain the appearance of your pergola.

- **Cleaning:** Clean the iron frame periodically with a soft cloth and mild soap solution. Rinse thoroughly with water and dry to prevent water spots.
- **Rust Prevention:** Although made of forged iron, inspect the pergola regularly for any signs of rust, especially in areas where the coating might be chipped. Touch up any affected areas with rust-inhibiting paint suitable for outdoor metal.
- **Winter Care:** In regions with harsh winters, consider covering the pergola or applying a protective coating to shield it from extreme weather conditions.
- **Structural Integrity:** Periodically check all bolts and connections to ensure they remain tight. Re-tighten as necessary.

- **Plant Management:** Trim climbing plants regularly to prevent excessive weight accumulation, which could stress the structure.

TROUBLESHOOTING

If you encounter issues with your pergola, refer to the following common solutions:

- **Pergola feels unstable after assembly:**
Ensure all bolts are fully tightened. Verify that the base plates are securely anchored to a solid surface using appropriate hardware. Uneven ground can also contribute to instability; ensure the installation surface is level.
- **Difficulty aligning parts during assembly:**
Double-check that you are using the correct parts for each step according to the assembly diagram. Loosen all bolts slightly to allow for greater flexibility in alignment, then tighten them gradually once all parts are in place.
- **Rust appearing on the frame:**
Clean the rusted area thoroughly with a wire brush to remove loose rust. Apply a rust-inhibiting primer, followed by an outdoor metal paint matching the antique brown finish. Regular maintenance as described in the "Care and Maintenance" section can prevent this.

WARRANTY AND SUPPORT

Warranty Information

This product is covered by a 30-day return policy and applicable legal guarantees. For specific warranty details, please refer to your purchase documentation or contact the seller directly.

Customer Support

For any questions, concerns, or assistance with your vidaXL Garden Pergola, please contact vidaXL FR customer support. Refer to your purchase platform or vidaXL's official website for contact details.