

Manuals+

[Q & A](#) | [Deep Search](#) | [Upload](#)

manuals.plus /

› [Hormann](#) /

› [Hormann Gliding Piece LPU 42 \(Intermediate Heights\), LPU 67 for Sectional Door User Manual](#)

Hormann 435849

Hormann Gliding Piece LPU 42 (Intermediate Heights), LPU 67 for Sectional Door

Model: 435849

1. INTRODUCTION AND PRODUCT OVERVIEW

This manual provides essential information for the proper use, installation, and maintenance of the Hormann Gliding Piece LPU 42 (Intermediate Heights) and LPU 67. This component is specifically designed for use with Hormann sectional doors, particularly those of the Series 40, facilitating the function of folding roller holders and ventilation positions.

The gliding piece is a crucial part for ensuring smooth operation and correct positioning of your sectional garage door.

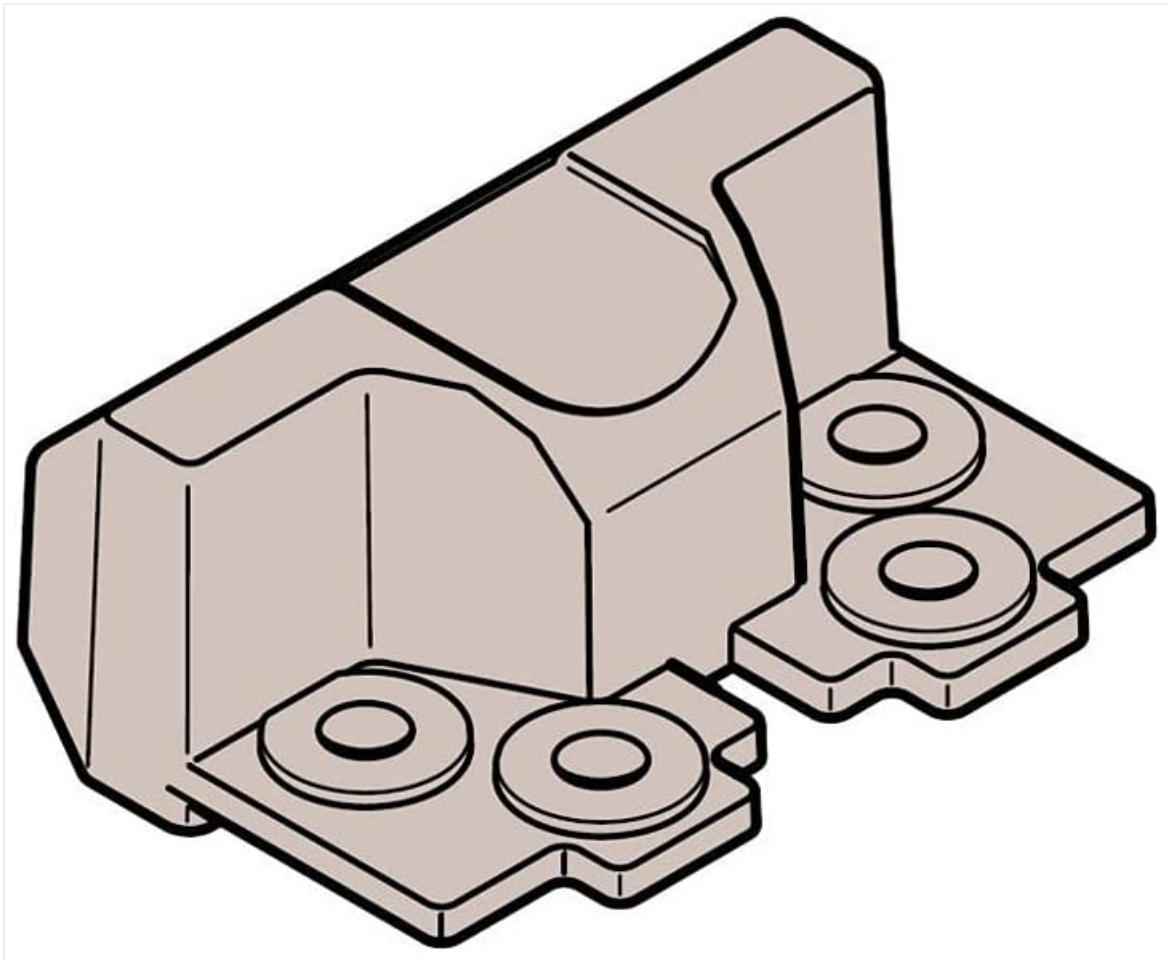


Figure 1: Overview of the Hormann Gliding Piece. This image shows the overall shape and design of the gliding piece, highlighting its robust construction from cast aluminum.

2. PRODUCT SAFETY INFORMATION

Please read all safety information carefully before handling or installing the product. Improper installation or use can lead to injury or damage to the door system.

- Ensure the sectional door system is de-energized and secured against accidental movement before beginning any work.
- Wear appropriate personal protective equipment (PPE), such as safety gloves and eye protection, during installation.
- If you are unsure about any installation step, consult a qualified professional.
- Keep small parts away from children.

3. SPECIFICATIONS

Detailed specifications for the Hormann Gliding Piece:

Attribute	Detail
Manufacturer	Hormann
Model Number	435849

Attribute	Detail
Item Number	435849
Material	Cast Aluminum
Color	Not specified (typically metallic grey)
Quantity	1 Piece
Item Weight	1 Kilogram
Package Dimensions	10 x 10 x 10 cm
Assembly Required	Yes
Compatibility	Hormann Sectional Door Series 40 (LPU 42, LPU 67)
Usage	Folding Roller Holder / Ventilation Position

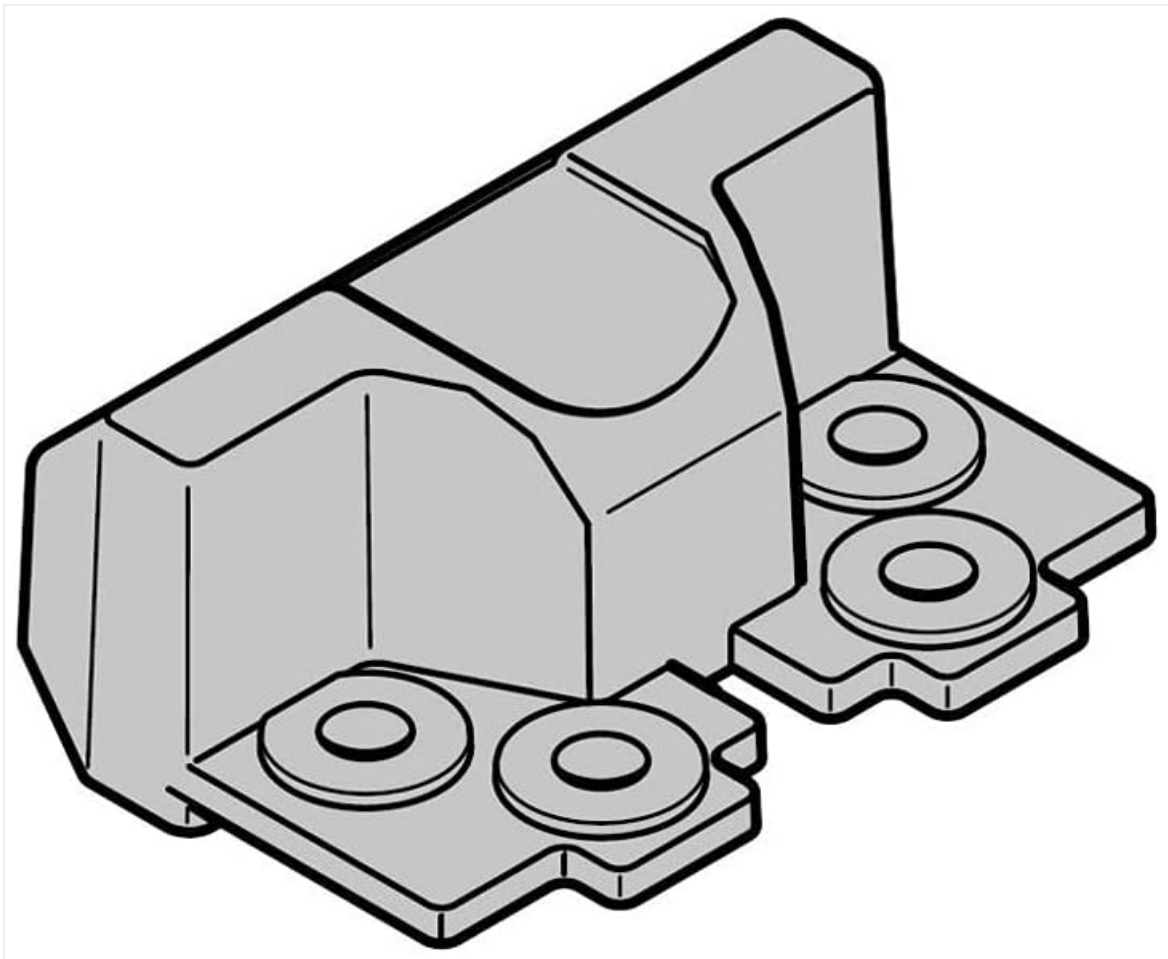


Figure 2: Detailed view of the Hormann Gliding Piece. This image provides a closer look at the mounting points and specific contours of the component, essential for correct installation.

4. SETUP AND INSTALLATION

Installation of the gliding piece requires careful attention to detail. It is recommended that installation be performed by individuals familiar with garage door mechanisms.

4.1. Preparation

1. Ensure the garage door is fully closed and secured to prevent accidental opening.
2. Disconnect power to the garage door opener, if applicable.
3. Gather necessary tools: wrenches, screwdrivers, and safety equipment.
4. Identify the existing gliding piece or the location where the new one will be installed on the sectional door.

4.2. Removal of Old Component (if applicable)

- Carefully unbolt or detach the old gliding piece from the door panel and roller assembly.
- Note the orientation and attachment points for reference during new installation.

4.3. Installation of New Gliding Piece

1. Position the new Hormann Gliding Piece (Model 435849) in the correct orientation on the sectional door panel. It is designed to fit specific points for the folding roller holder and ventilation position.
2. Align the mounting holes of the gliding piece with the corresponding holes on the door.
3. Secure the gliding piece using appropriate fasteners (not included, typically re-use existing or acquire new ones as per door manufacturer's recommendations). Ensure all bolts are tightened securely but do not overtighten.
4. Verify that the roller can move freely within the gliding piece and that the component is firmly attached.

5. OPERATING PRINCIPLES

The Hormann Gliding Piece is integral to the smooth operation of your sectional door, particularly for its folding roller holder and ventilation functions.

- **Folding Roller Holder:** This component guides the door rollers along the track, allowing the door sections to fold and unfold smoothly as the door opens and closes. The gliding piece ensures the rollers maintain proper alignment and reduces friction.
- **Ventilation Position:** For doors equipped with a ventilation feature, the gliding piece plays a role in holding the door slightly ajar in a specific position to allow air circulation without fully opening the door. This is achieved by the roller engaging with a specific part of the gliding piece.

After installation, manually operate the door a few times to ensure all components move freely and without obstruction. Listen for any unusual noises and observe the door's movement for smoothness.

6. MAINTENANCE

Regular maintenance ensures the longevity and optimal performance of your Hormann Gliding Piece and the overall sectional door system.

- **Cleaning:** Periodically inspect the gliding piece for dirt, debris, or rust. Clean with a soft cloth and mild detergent if necessary. Avoid abrasive cleaners.
- **Lubrication:** While the cast aluminum material is durable, applying a silicone-based lubricant to the roller contact points on the gliding piece and the rollers themselves can reduce friction and extend component life. Do not use oil-based lubricants as they can attract dirt.
- **Inspection:** Annually inspect the gliding piece for signs of wear, cracks, or deformation. Ensure all fasteners remain tight. Replace the component if any significant wear or damage is observed.

7. TROUBLESHOOTING

If you experience issues with your sectional door after installing or while using the gliding piece, consider the following:

- **Door Sticking or Jerking:**
 - Check if the gliding piece is securely fastened and not loose.
 - Inspect the rollers for damage or excessive wear.
 - Ensure the door tracks are clean and free of obstructions.
 - Apply lubricant to the rollers and gliding piece contact points.
- **Unusual Noises:**
 - Noises often indicate friction. Lubricate moving parts.
 - Check for misaligned components or loose fasteners.
- **Door Not Achieving Ventilation Position:**
 - Verify the gliding piece is correctly installed and oriented for this function.
 - Ensure the door's mechanism for ventilation is not obstructed or damaged.

If problems persist after attempting these solutions, it is advisable to contact a qualified garage door technician or Hormann customer support.

8. WARRANTY AND SUPPORT

For information regarding product warranty, please refer to the documentation provided with your original Hormann sectional door or contact Hormann directly. As a replacement part, its warranty may be subject to the terms of the original door system or specific spare part policies.

Manufacturer Contact Information:

Hormann KG Verkaufsgesellschaft

Upheider Weg 94-98

33803 Steinhagen, Nordrhein-Westfalen

Germany

Email: info@hoermann.de

Phone: +49 5204 915-0

Website: www.hoermann.de

When contacting support, please have your product model number (435849) and any relevant purchase information ready.