

[Manuals.plus](#) /

› [Schütte](#) /

› Schütte 82380 Stone Pyramid Soft-Close Toilet Seat User Manual

Schütte 82380

Schütte 82380 Stone Pyramid Soft-Close Toilet Seat User Manual

Model: 82380 | Brand: Schütte

INTRODUCTION

This manual provides instructions for the installation, operation, maintenance, and troubleshooting of your Schütte 82380 Stone Pyramid Toilet Seat. Please read these instructions carefully before installation and use to ensure proper function and longevity of the product.

The Schütte 82380 toilet seat features a soft-close mechanism, a quick-release function for easy cleaning, and is made from durable Duroplast material. It is designed for standard toilet bowls.

SAFETY INFORMATION

- Ensure all components are present and undamaged before installation.
- Do not exceed the maximum load capacity of 150 kg (approximately 330 lbs).
- Keep small parts away from children to prevent choking hazards.
- Use appropriate tools for installation to avoid damage to the product or injury.

PACKAGE CONTENTS

Verify that all the following items are included in your package:

- 1 x Toilet Seat (pre-assembled with lid and seat)
- 2 x Mounting Plates with Adhesive Pads
- 2 x Tilt Dowels (mounting hardware)
- Spacer Buffers
- Installation Instructions (this manual)



Image: All components included in the Schütte 82380 toilet seat package, laid out for inspection.

SETUP AND INSTALLATION

The Schütte 82380 toilet seat is designed for easy top-down installation on most standard toilet bowls.

Tools Required (Not Included):

- Screwdriver (appropriate for mounting screws)
- Measuring tape (optional, for checking dimensions)

Installation Steps:

1. **Prepare the Toilet Bowl:** Ensure the toilet bowl is clean and dry where the seat will be mounted. Remove any old toilet seat and hardware.
2. **Insert Tilt Dowels:** Place the two tilt dowels into the mounting holes on the toilet bowl.
3. **Attach Mounting Plates:** Position the mounting plates over the tilt dowels. The adhesive pads on the underside of

the mounting plates should rest firmly on the ceramic to prevent slipping. Secure the mounting plates by tightening the screws from above. Ensure they are snug but do not overtighten.

4. **Align and Attach Toilet Seat:** Align the hinges of the toilet seat with the secured mounting plates. Gently press down until the seat clicks into place.
5. **Test Soft-Close Function:** Slowly lower the lid and seat to verify the soft-close mechanism operates correctly.

 **SCHÜTTE**
ARMATUREN UND BRAUSEN SEIT 1976



Duroplast WC-Sitz

pflegeleichte Oberfläche

Image: Illustration of the easy top-down installation process, highlighting the correct method.



Schnellverschluss

für einfaches Säubern

Image: Visual guide to the quick-release function, demonstrating how to detach the seat from its mounts for thorough cleaning.

OPERATING INSTRUCTIONS

Soft-Close Mechanism:

The toilet seat and lid are equipped with a soft-close mechanism. To close, simply tap the lid or seat gently downwards. It will then lower slowly and silently on its own, preventing slamming and extending product life.



Absenkautomatik

für geräuschloses Schließen

Image: The toilet seat demonstrating its soft-close feature, ensuring quiet and gentle closing.

CARE AND MAINTENANCE

The Duroplast material and pore-smooth surface of this toilet seat make it easy to clean and maintain hygiene.

Cleaning Instructions:

1. **Quick Release:** For thorough cleaning, utilize the quick-release function to easily detach the toilet seat from the mounting plates. Refer to the "Setup and Installation" section for visual guidance on quick release.
2. **Cleaning Agents:** Use mild soap and water or a non-abrasive, pH-neutral bathroom cleaner. Apply with a soft cloth or sponge.
3. **Avoid Harsh Chemicals:** Do not use abrasive cleaners, scouring pads, strong acids, alkalis, or chlorine-based products, as these can damage the surface and finish.
4. **Rinse and Dry:** After cleaning, rinse the seat thoroughly with clean water and dry it with a soft cloth to prevent water spots.
5. **Reattach Seat:** Once clean and dry, reattach the toilet seat to the mounting plates by aligning and pressing down

until it clicks securely.

leichte Montage von oben

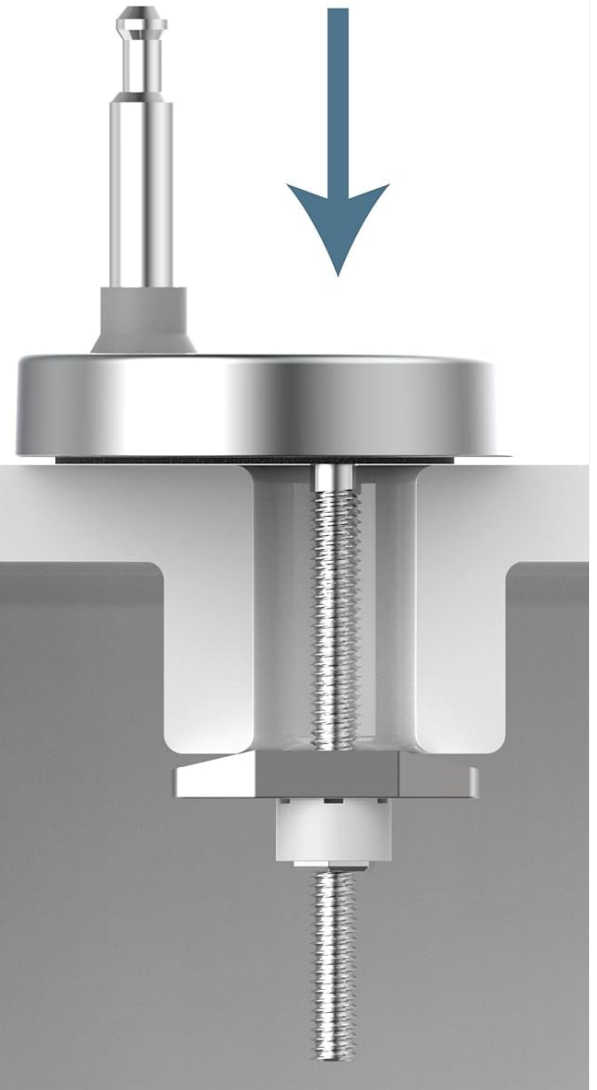
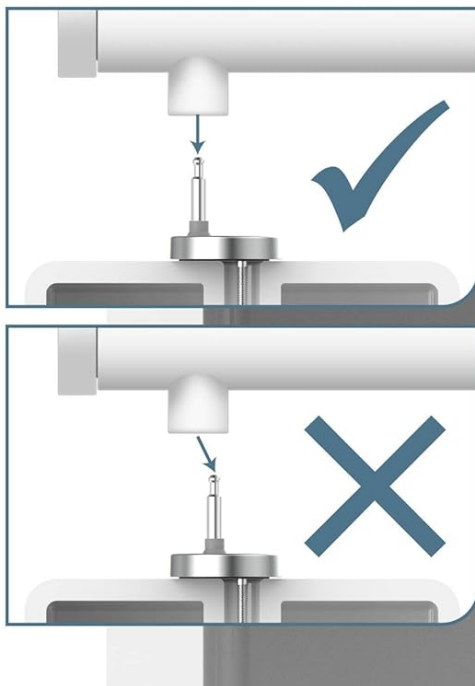


Image: Demonstrating the ease of cleaning the toilet seat after detaching it with the quick-release mechanism.

TROUBLESHOOTING

Problem	Possible Cause	Solution
Toilet seat is loose or wobbly.	Mounting screws are not tight enough, or adhesive pads are not properly seated.	Tighten the mounting screws. Ensure the adhesive pads on the mounting plates are firmly pressed against the ceramic.
Soft-close mechanism not working properly.	Mechanism may be obstructed or damaged.	Check for any obstructions. Ensure the seat is correctly attached to the mounting plates. If the issue persists, contact customer support.

Problem	Possible Cause	Solution
Seat does not detach easily with quick release.	Incorrect technique or mechanism is stiff.	Ensure you are pressing the release buttons/tabs correctly. Apply gentle, even pressure. Clean any debris around the release mechanism.

SPECIFICATIONS

- **Model:** Schütte 82380 Stone Pyramid
- **Material:** Duroplast
- **Color:** Stone Pyramid motif
- **Dimensions (W x H x D):** Approximately 374 mm x 40 mm x 453 mm (14.72" W x 1.57" H x 17.83" D)
- **Item Weight:** Approximately 1900 grams (4.19 pounds)
- **Maximum Load Capacity:** 150 kg (approximately 330 lbs)
- **Installation Method:** Top-down
- **Features:** Soft-close mechanism, Quick-release for cleaning, Anti-slip adhesive pads

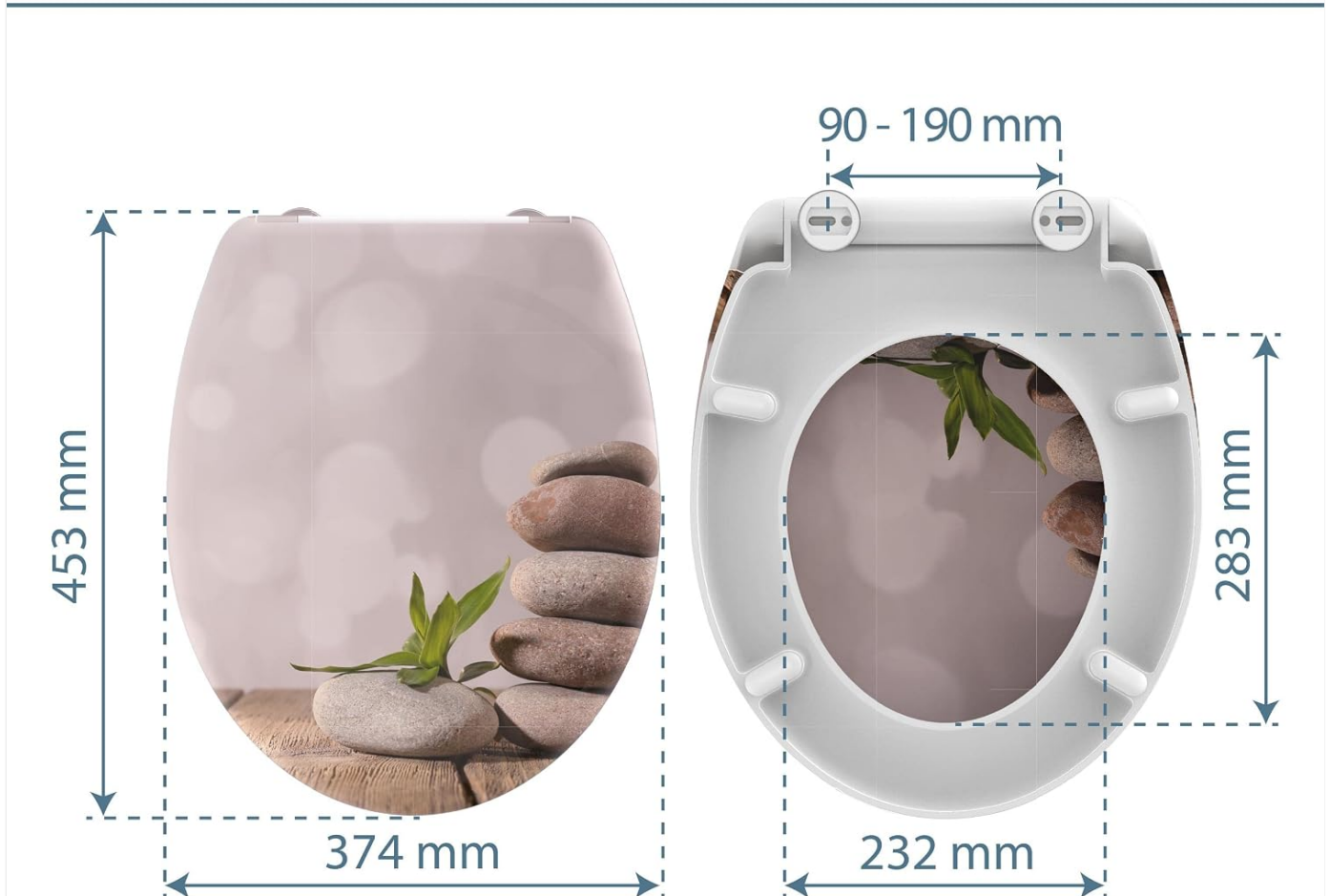


Image: Technical drawing showing the precise dimensions of the toilet seat for compatibility verification.

WARRANTY INFORMATION

For specific warranty terms and conditions, please refer to the documentation provided with your purchase or contact Schütte customer support directly. Generally, products are covered against manufacturing defects for a specified period from the date of purchase.

Note: Damage resulting from improper installation, misuse, neglect, or the use of harsh cleaning agents is typically not covered under warranty.

CUSTOMER SUPPORT

Should you have any questions regarding the product, assembly, or require assistance with a complaint, please contact Schütte customer service:

- **Brand:** Schütte
- **Manufacturer:** Franz Joseph Schütte GmbH
- **Contact Number:** +49 (0) 5407-81529-0 (Please note this is a German contact number.)
- **Website:** www.fjschuette.de

Please have your model number (82380) and purchase information ready when contacting support.

