



[Manuals.plus](#) /

› [Prostormer](#) /

› Prostormer 1/10HP 120V AC Electric Water Transfer Pump Instruction Manual

Prostormer Water Pump

Prostormer 1/10HP 120V AC Electric Water Transfer Pump Instruction Manual

Brand: Prostormer | Model: Water Pump

1. INTRODUCTION

This manual provides essential information for the safe and efficient operation, setup, and maintenance of your Prostormer 1/10HP 120V AC Electric Water Transfer Pump. Please read and understand all instructions before use to ensure proper function and prevent injury.

We have to remind you:

- This pump is non-submersible
- Keep the motor dry at all times
- Do not wash the motor
- Do not immerse
- Do not run pump dry

(Please read the product manual carefully before use)

This product is not a submersible pump and cannot be put in water



Image 2: Visual reminder that the pump is non-submersible and must be kept dry.

3. PACKAGE CONTENTS

Verify that all items listed below are included in your package:

- 1 x PROSTORMER Utility Pump
- 1 x 71-inch Water Hose
- 1 x Water Suction Attachment
- 1 x Impeller (spare)
- 1 x Gasket (spare)
- 2 x Replacement Brushes (spare)

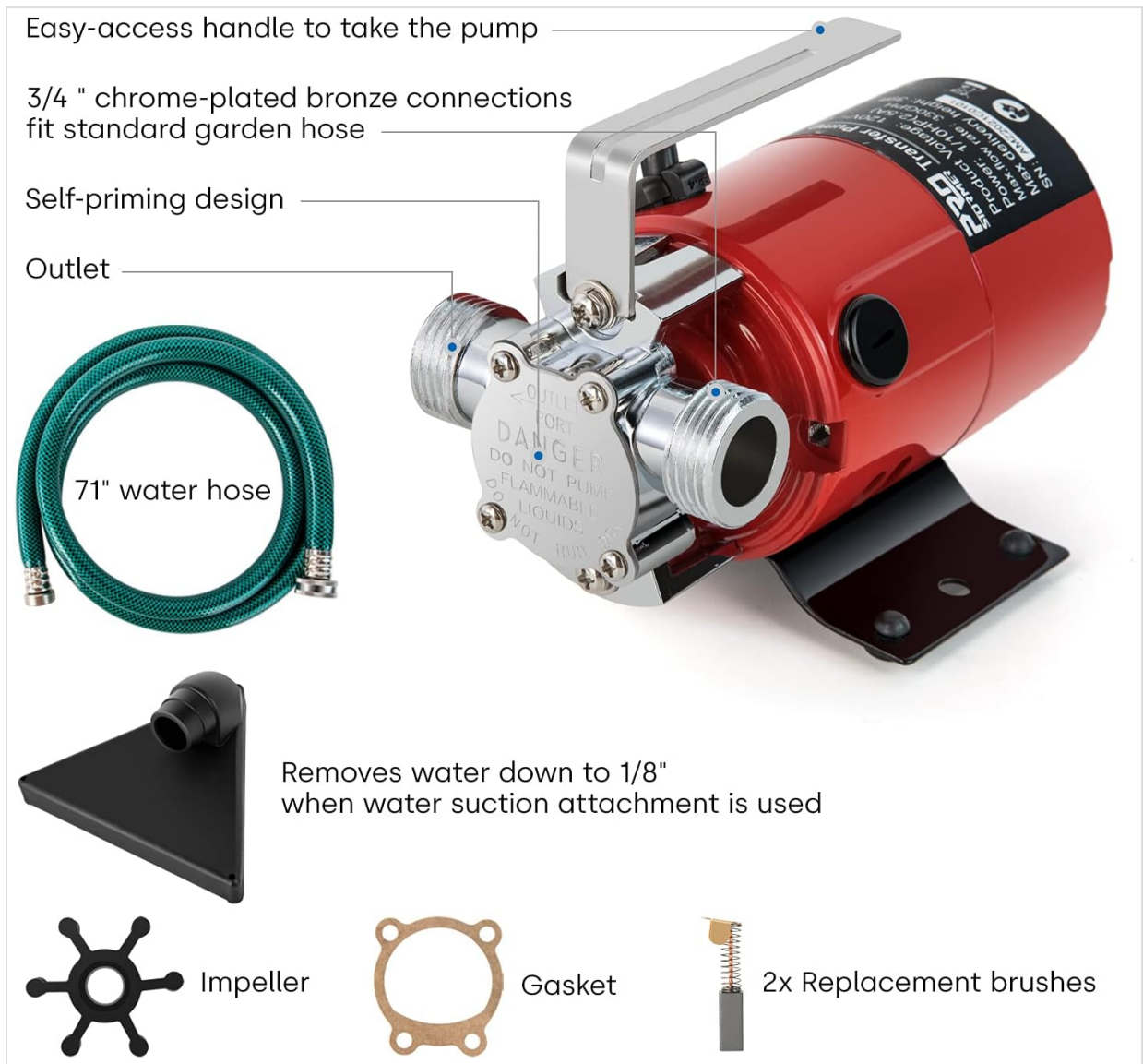


Image 3: All components included in the Prostormer Water Transfer Pump package.

4. SPECIFICATIONS

Feature	Specification
Brand	Prostormer
Model	Water Pump
Power	0.1 Horsepower (1/10HP)
Voltage	120 Volts AC
Maximum Flow Rate	330 Gallons Per Hour (5.5 Gallons Per Minute)
Maximum Lifting Height	39 Feet
Product Dimensions	8"L x 8"W x 7.5"H
Item Weight	5.7 Pounds
Material	Copper Motor

5. SETUP

1. **Position the Pump:** Place the pump on a stable, dry, and level surface near the water source. Ensure it is not in direct contact with water, as it is non-submersible. The pump features rubber mounts on its base for stability.
2. **Connect Hoses:**
 - Connect the provided 71-inch water hose to the **outlet port** of the pump. The outlet port is typically indicated by an arrow pointing away from the pump body.
 - Connect a standard garden hose (not included, unless using the provided 71-inch hose for suction) to the **inlet port**.
3. **Attach Suction Device:** For optimal draining, attach the water suction attachment to the end of the hose that will be placed in the water source. Ensure the suction attachment lies flat on the bottom of the water source to prevent air intake.
4. **Prime the Pump:** Before starting, ensure the pump is primed. This means there should be water in the inlet hose and pump cavity. Some self-priming pumps may require a small amount of water to be poured into the outlet port to lubricate the impeller if running dry.

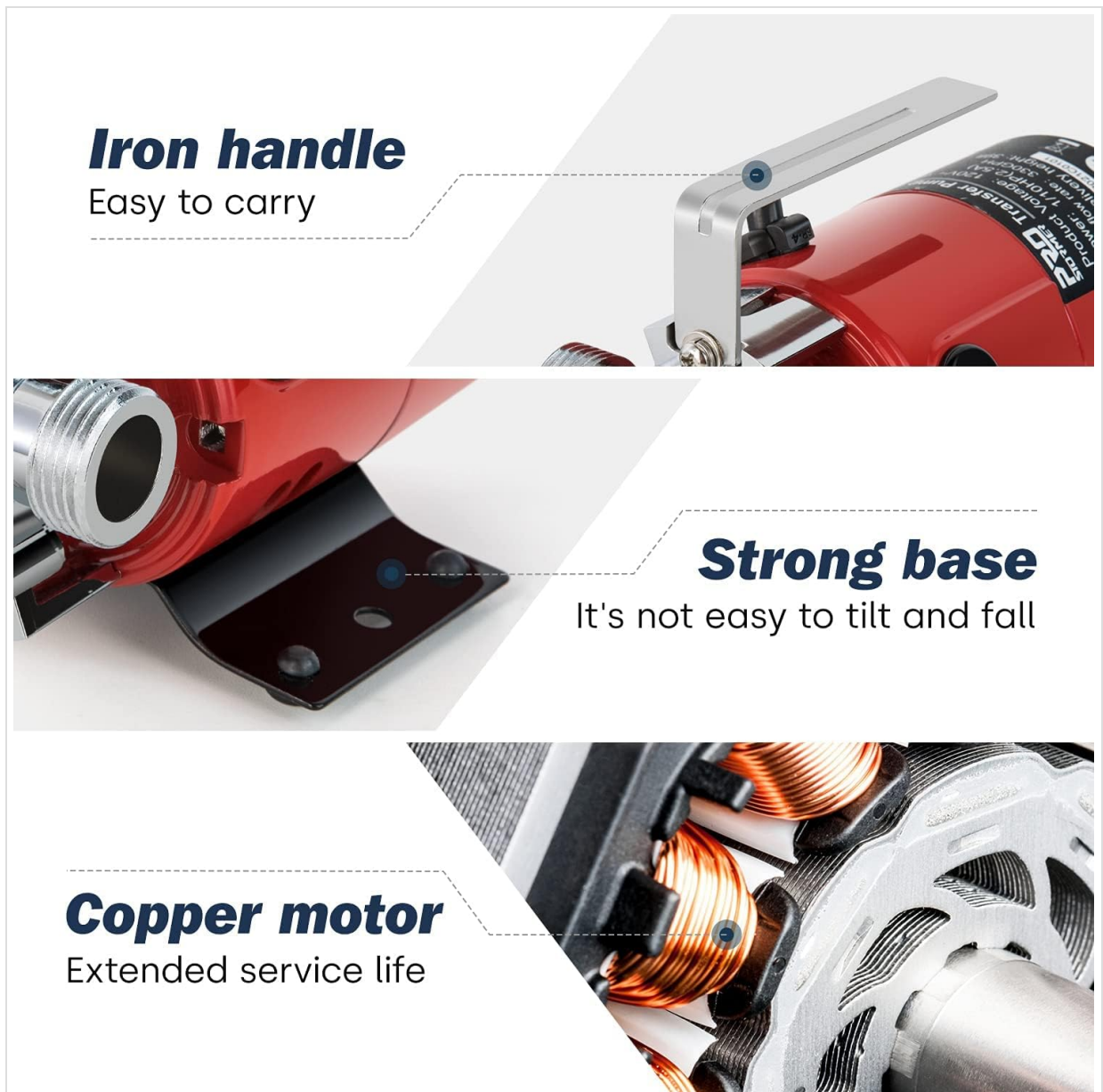


Image 4: Key features of the pump including the iron handle for portability, strong base for stability, and

durable copper motor.

6. OPERATING INSTRUCTIONS

1. **Ensure Proper Setup:** Double-check all hose connections are secure and the pump is positioned on a dry, stable surface. The suction attachment should be submerged in the water source and lying flat.
2. **Power On:** Plug the pump's power cord into a grounded 120V AC electrical outlet. The pump will begin operating immediately as there is no on/off switch.
3. **Monitor Operation:** Observe the water flow. If the pump is not drawing water or the flow is weak, unplug the pump, check for air leaks in the hoses, ensure the suction attachment is fully submerged, and re-prime if necessary.
4. **Power Off:** To stop the pump, simply unplug it from the electrical outlet.

Applications:

- Draining pools, ponds, and flooded cellars.
- Water transfer for garden irrigation.
- Maintaining aquariums.



Image 5: Various applications for the Prostormer water transfer pump, including aquariums, gardens, ponds,

and general draining.

Operational Video:



Video 1: A short demonstration of the Prostormer 1/10HP 120V AC Electric Water Transfer Pump in operation, showing water being pumped from a bucket.

7. MAINTENANCE

Regular maintenance ensures the longevity and optimal performance of your pump.

1. **Cleaning:** After each use, flush the pump with clean water to remove any debris or sediment. Do not use harsh chemicals or immerse the motor.
2. **Impeller and Gasket Inspection:** Periodically inspect the impeller and gasket for wear or damage. Replace them with the provided spare parts if necessary. Refer to the internal structure diagram for component location.
3. **Brush Replacement:** The motor brushes may wear out over time. Replace them with the provided spare brushes when performance degrades.
4. **Storage:** When not in use, store the pump in a dry, cool place, protected from freezing temperatures.

PRODUCT INTERNAL STRUCTURE

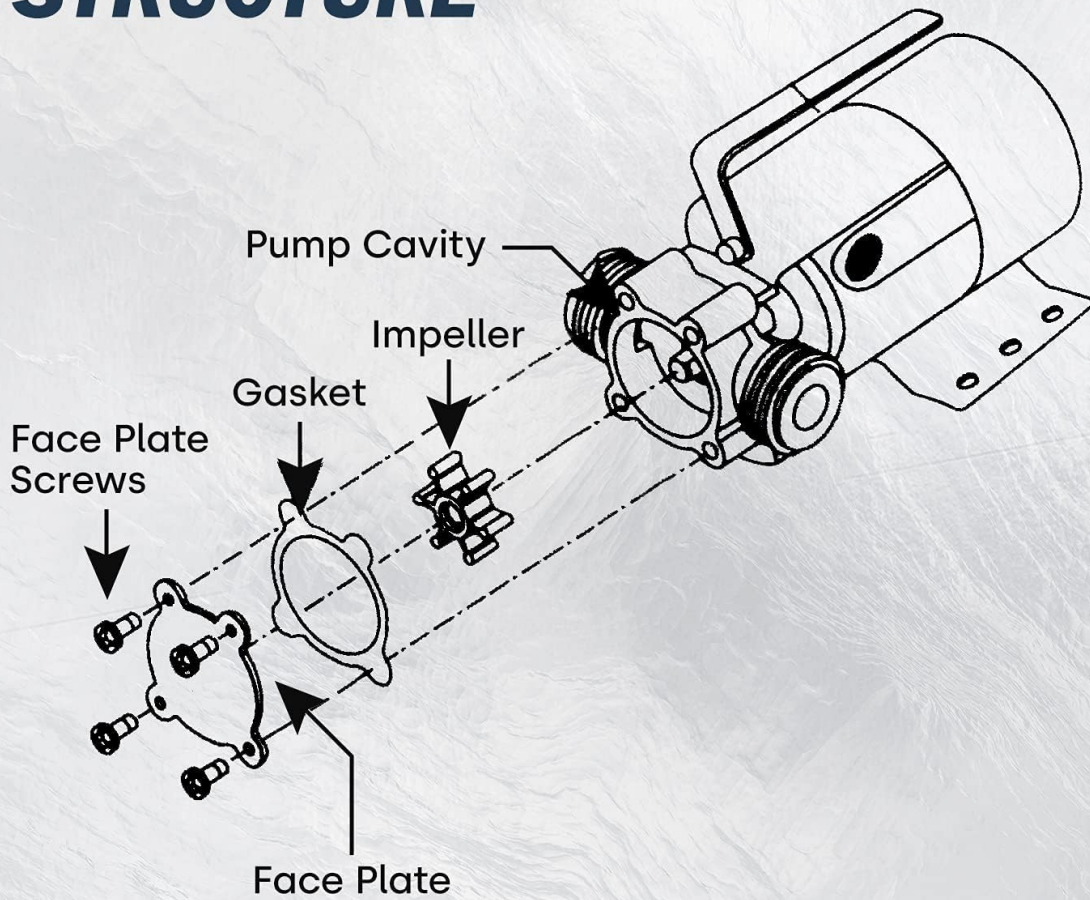


Image 6: Exploded view diagram illustrating the internal components of the pump, including the impeller, gasket, and face plate.

8. TROUBLESHOOTING

If you encounter issues with your pump, consult the following table before seeking professional assistance.

Problem	Possible Cause	Solution
Pump does not start	No power; faulty outlet; damaged cord.	Check power connection and outlet. Inspect power cord for damage.
Pump runs but no water flows	Pump not primed; air leak in suction line; clogged inlet/outlet; suction attachment not fully submerged.	Unplug, re-prime the pump. Check all connections for tightness. Clear any blockages. Ensure suction attachment is flat on the bottom of the water source.
Low water flow	Partial blockage; worn impeller; excessive lift height.	Check for and clear blockages. Inspect and replace impeller if worn. Ensure pump is within its maximum lift height specification.

Pump is noisy	Running dry; air in system; loose components.	Ensure pump is primed and not running dry. Check for air leaks. Tighten any loose screws or connections.
---------------	---	--

9. WARRANTY AND SUPPORT

For warranty information, technical support, or to purchase replacement parts, please contact Prostormer customer service directly. Refer to the product packaging or the official Prostormer website for contact details.