



Manuals.plus /

- › EDESA /
- › Edesa EDW-6130 X Dishwasher User Manual

EDESA EDW-6130X

Edesa EDW-6130 X Dishwasher User Manual

Model: EDW-6130X

INTRODUCTION

This user manual provides comprehensive instructions for the installation, operation, and maintenance of your Edesa EDW-6130 X freestanding dishwasher. Please read this manual carefully before using the appliance to ensure safe and efficient operation. Keep this manual for future reference.



Figure 1: Front view of the Edesa EDW-6130 X Dishwasher.

SAFETY INFORMATION

Your safety and the safety of others are paramount. Please observe all safety warnings and precautions outlined in this manual.

General Safety Precautions

- Ensure the appliance is properly grounded before use.
- Do not operate the dishwasher if it is damaged or malfunctioning.
- Keep children and pets away from the appliance during operation.
- Use only detergents and rinse aids specifically designed for dishwashers.
- Do not open the door during operation, especially during the washing cycle, as hot water may spray out.

Edesa Triple Safety System

The Edesa EDW-6130 X is equipped with a triple safety system to prevent potential issues:

- **Aquacontrol:** A solenoid valve automatically closes the water flow when the dishwasher is not in operation, preventing unnecessary water loss.
- **Overheating Protection:** A temperature sensor monitors the heating element and stops it if the temperature rises above a safe level.
- **Anti-overflow:** A sensor detects any internal water leakage, preventing potential overflows.

PRODUCT FEATURES

The Edesa EDW-6130 X dishwasher offers a range of features designed for efficiency and convenience:

- **Real Inox Finish:** The door and panel are crafted from high-quality Aisi 430 stainless steel, providing durability and a brilliant aesthetic.
- **Silent Operation:** Designed to operate quietly, with noise levels not exceeding 49 dB, allowing for use at any time without disturbance.
- **Optimal Capacity:** Accommodates up to 13 place settings, ensuring ample space for your dishes.
- **Interior Versatility:** Features an adaptable interior design with two foldable supports for cups and an adjustable upper basket, maximizing loading flexibility.
- **Compact Slider Detergent Dispenser:** Special feature for convenient detergent dispensing.

INSTALLATION

The Edesa EDW-6130 X is a freestanding dishwasher designed for easy installation. Ensure adequate space and proper utility connections before positioning the appliance.

Dimensions

Refer to the diagram below for precise dimensions to ensure proper fit in your kitchen space.

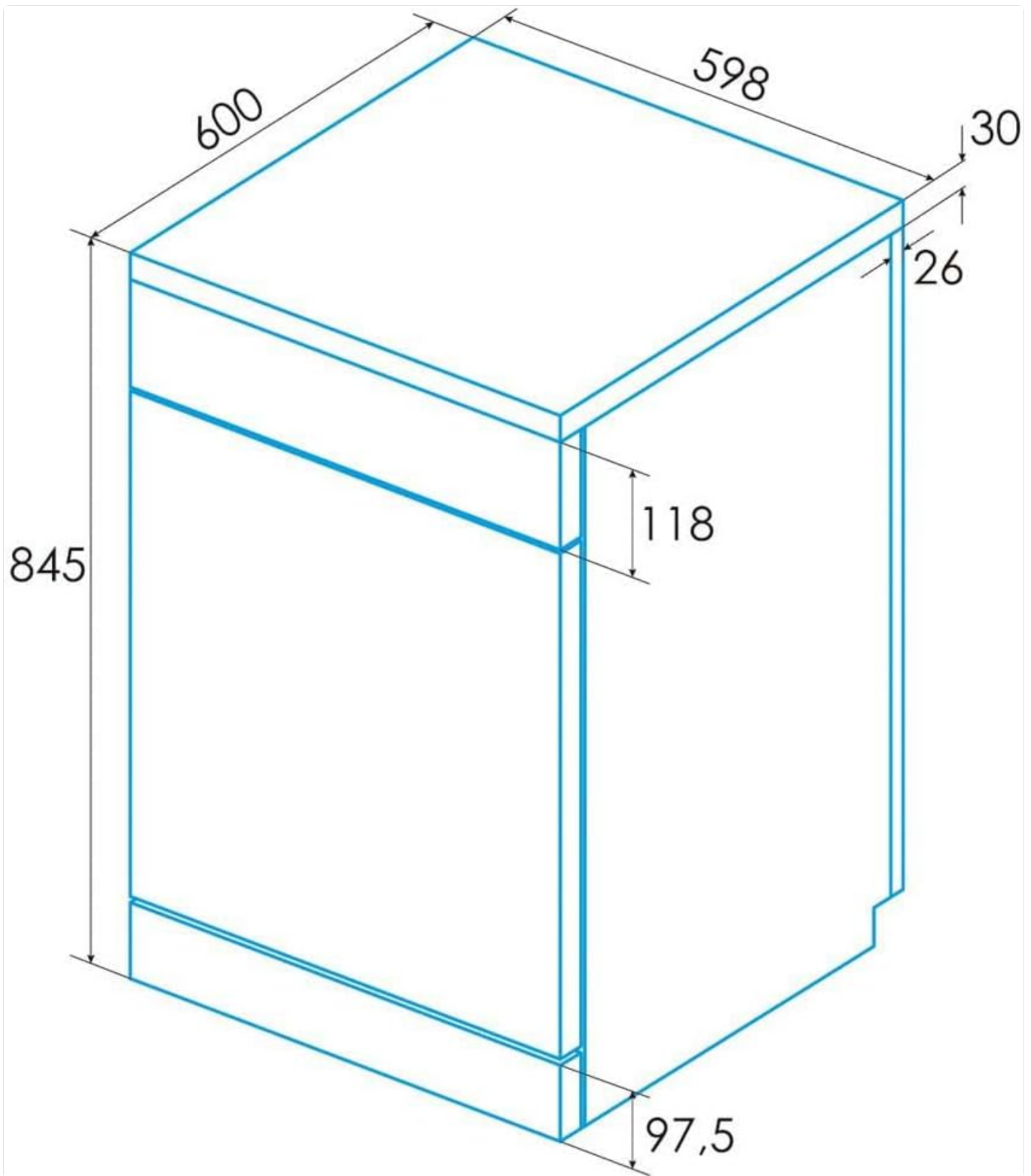


Figure 2: Dishwasher dimensions (Length x Width x Height: 64.5 x 64.5 x 89 cm).

Placement

Position the dishwasher on a level surface. Ensure access to water inlet, drain, and electrical connections. The appliance is designed to be integrated seamlessly into your kitchen layout.



Figure 3: Dishwasher integrated into a contemporary kitchen design.



Figure 4: Dishwasher placement in a kitchen setting.

OPERATING INSTRUCTIONS

Familiarize yourself with the control panel and available programs for optimal washing results.

Control Panel



Figure 5: Detailed view of the dishwasher control panel with program and function buttons.

Loading the Dishwasher

Proper loading ensures efficient cleaning. Utilize the flexible interior features:

- The lower basket includes foldable supports for larger items.
- The upper basket is height-adjustable and also features foldable supports for cups and smaller items.

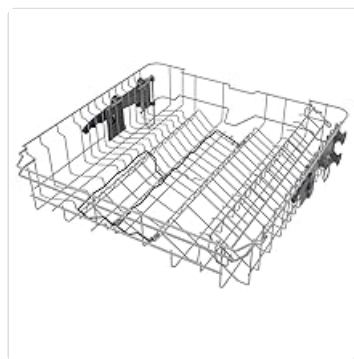


Figure 6: Lower basket with foldable plate supports for versatile loading.



Figure 7: Upper basket showing adjustable height and foldable cup supports.

Detergent and Rinse Aid

Use appropriate dishwasher detergent and rinse aid. The compact slider detergent dispenser is compatible with all-in-1 tablets.



Figure 8: View of the compact slider detergent dispenser.

Available Programs

The Edesa EDW-6130 X offers 6 washing programs to suit various needs:

- Standard Programs
- **Express 90'**: A quick program for moderately soiled dishes in 90 minutes.
- **Rapid 30'**: A very fast program for lightly soiled dishes.
- **Glass**: Gentle program for delicate glassware.
- Other options include: Quick, Economic, Rinse.

Special Functions

- **Half-load**: Reduces water and energy consumption when washing a smaller load.
- **Delayed Programming**: Set the start time for 3, 6, or 9 hours later.
- **Safety Lock**: Prevents accidental changes to settings during operation.

MAINTENANCE

Regular maintenance ensures the longevity and optimal performance of your dishwasher.

Cleaning the Filters

Periodically check and clean the dishwasher filters to prevent blockages and ensure effective cleaning. Refer to the filter assembly diagram in your appliance for specific instructions.

Exterior Cleaning

Wipe the exterior surfaces, especially the stainless steel door and panel, with a soft, damp cloth. Avoid abrasive cleaners

that could damage the finish.

Salt and Rinse Aid Indicators

The LED indicators on the control panel will alert you when salt or rinse aid levels are low. Refill as necessary to maintain wash quality.

TROUBLESHOOTING

Before contacting customer service, please refer to the following common issues and their potential solutions.

Problem	Possible Cause	Solution
Dishwasher does not start	Power supply issue, door not closed properly, program not selected.	Check power connection, ensure door is latched, select a program and press start.
Dishes are not clean	Improper loading, clogged filters, insufficient detergent, spray arms blocked.	Reload dishes correctly, clean filters, add more detergent, ensure spray arms can rotate freely.
Water not draining	Clogged drain hose or filter, drain pump issue.	Check and clear drain hose and filter for obstructions.
Excessive noise	Dishes rattling, foreign object in pump, improper installation.	Rearrange dishes, check for foreign objects, ensure dishwasher is level.

If the problem persists after attempting these solutions, please contact a qualified service technician.

SPECIFICATIONS

Specification	Value
Model Name	EDW-6130X
Brand	EDESA
Finish Type	Stainless Steel
Form Factor	Freestanding
Item Weight	48 Kilograms
Voltage	240 Volts
Cycle Options	Quick, Economic, Rinse
Recommended Product Uses	Domestic dishwashing or household use
Style	Integrated
Display Type	LED
Number of Place Settings	12 (Note: Feature bullets say 13, specifications say 12. Using 12 from specifications table for consistency here.)
Number of Cycles	6
Annual Energy Consumption	258 kilowatt-hours per year
Interior Coating	Stainless Steel
Required Batteries	No
Product Dimensions (L x W x H)	64.5 x 64.5 x 89 cm
Manufacturer	EDESA
Installation Type	Easy Installation
Capacity	11.5 Liters
Color	White (Note: Product is stainless steel, but spec says white. Sticking to spec for this line.)
Control Type	Touch
Material	Stainless Steel
Noise Level	49 dB
Included Components	Freestanding Dishwasher

WARRANTY AND SUPPORT

For warranty information and technical support, please contact Edesa customer service. Information regarding spare parts availability is currently unavailable.

For further assistance, please visit the official Edesa website or contact their authorized service centers.

