

## DELAVIN W707B

# DELAVIN Frameless Sliding Bathtub Door

Model: W707B

## 1. INTRODUCTION

This instruction manual provides detailed guidance for the safe and proper installation, operation, and maintenance of your DELAVIN 56-60" W x 59" H Frameless Sliding Bathtub Door. Please read all instructions thoroughly before beginning installation or use to ensure optimal performance and safety.

## 2. SAFETY INFORMATION

**WARNING: Improper installation or use can lead to serious injury or product damage.**

- Always wear appropriate personal protective equipment (PPE), including safety glasses and gloves, during installation.
- Handle glass panels with extreme care. Tempered glass, while strong, can shatter if struck at the edges or corners.
- Ensure the installation surface (walls, tub/shower base) is structurally sound and level.
- Do not attempt to cut the glass panels.
- Two or more people are recommended for installation due to the weight and size of the glass panels.
- Ensure all fasteners are securely tightened before use.

## 3. PACKAGE CONTENTS

Verify that all components are present and undamaged before beginning installation. If any parts are missing or damaged, please contact customer support.

- Tempered Glass Panels (Fixed and Sliding)
- Stainless Steel Top Guide Bar
- Solid Stainless Steel Rollers
- Stainless Steel Handle (can also serve as towel rack)

- Bottom/Side Seal Strips
- Mounting Hardware (screws, anchors, etc.)
- Installation Manual

## 4. SPECIFICATIONS

Feature	Detail
Brand	DELAVIN
Model Number	W707B
Dimensions	0.32 x 60 x 59 inches (Adjustable Width: 56-60 inches W x 59 inches H)
Glass Thickness	5/16" (8mm) Certified Clear Tempered Glass
Frame Material	Stainless Steel
Color	Matte Black
Item Weight	109.5 Pounds
Assembly Required	Yes

## 5. SETUP & INSTALLATION

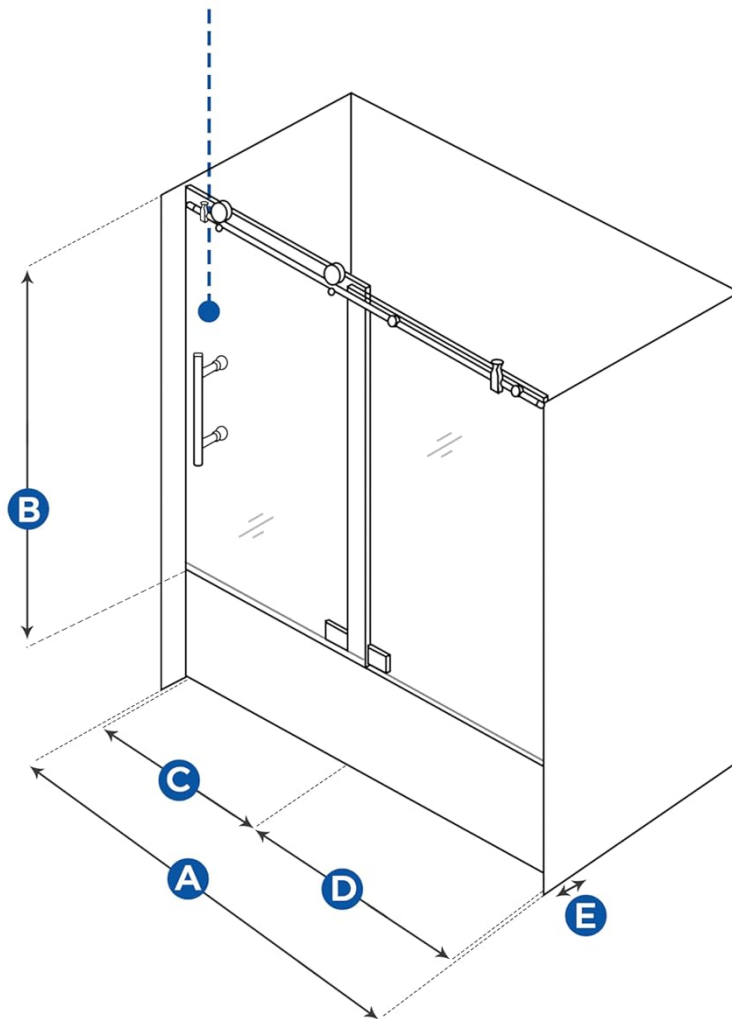
Installation of the DELAVIN Frameless Sliding Bathtub Door requires careful attention to detail. Refer to the included step-by-step instructions and diagrams in the official [Installation Manual \(PDF\)](#) for comprehensive guidance.

### Key Installation Considerations:

- **Measurement:** Accurately measure your shower space. The adjustable width of 56-60 inches allows for flexibility. If your shower space is less than 58 inches, the upper guide rail may need to be cut.
- **Reversible Design:** The door is reversible and can be installed to slide to the right or the left, adapting to your bathroom layout.
- **Secure Mounting:** The fixed glass panel is secured to the bottom track and screwed to the wall. Ensure all mounting points are firm and stable.
- **Pulley Installation:** When installing the pulleys, ensure they are tightened securely on the glass, especially on the sliding glass panel, to prevent loosening and potential falling of the door.
- **Glass Protection:** The frameless design means there are no frames around the glass edges. A plastic strip is included to protect the wall from direct contact with the glass.

# OVERALL DIMENSIONS

Reversible for a right or left wall installation



## DELAVIN-W707

56-60 in.W x 59 in. H  
Frameless Sliding  
Shower Door

**A: 56-60 in**  
OVERALL WIDTH

**B: 59 in**  
OVERALL HEIGHT

**C: 24-28 in**  
WALK-IN WIDTH

**D: 31 in**  
SINGLE DOOR WIDTH

**E: 5/16 in (8mm)**  
GLASS THICKNESS

Figure 5.1: Overall Dimensions and Measurements.

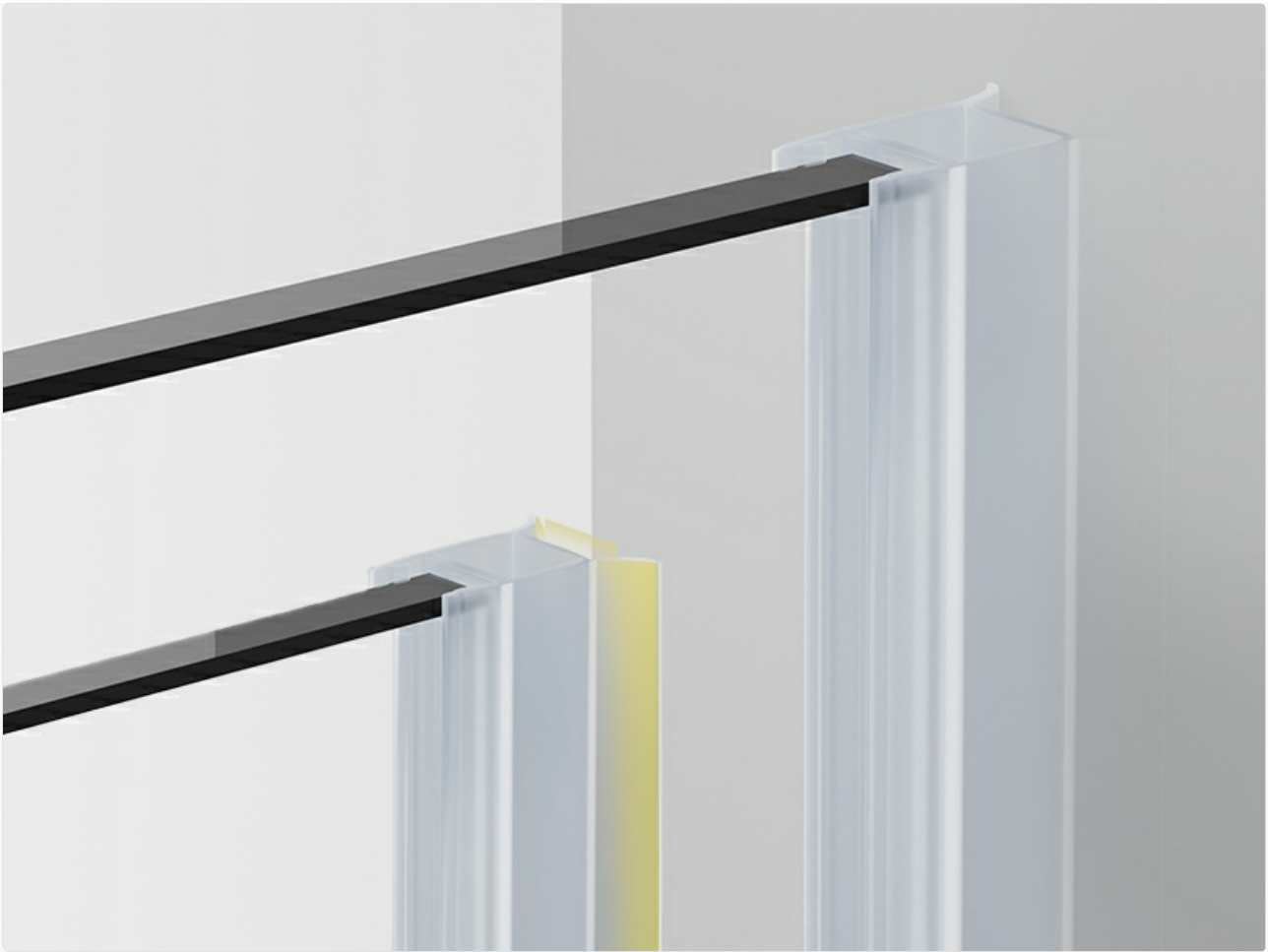


Figure 5.2: Easy Installation with Reversible Opening.

## 6. OPERATING INSTRUCTIONS

---

The DELAVIN Frameless Sliding Bathtub Door is designed for smooth and effortless operation.

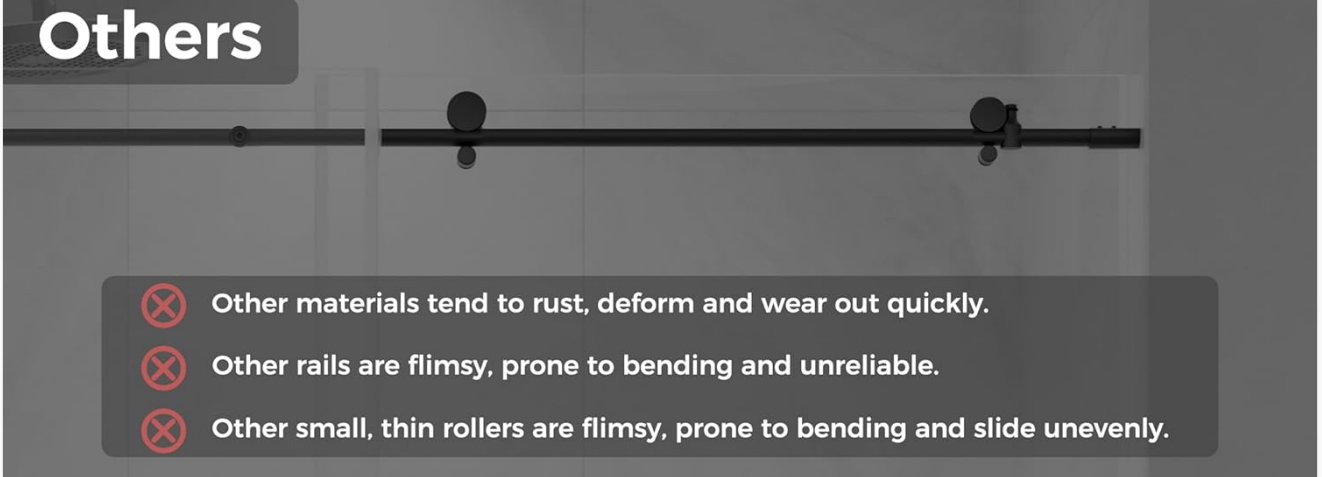
- To open or close the door, gently slide the movable glass panel along the top guide bar using the stainless steel handle.
- The large solid stainless steel rollers ensure quiet and smooth gliding.
- Integrated stoppers prevent the door from hitting the wall or frame when fully opened or closed.
- The bottom and side seal strips effectively prevent water splashes and leaks, keeping your bathroom floor dry.

## Ours



- ✓ Heavy-duty stainless steel: rustproof, non-deforming.
- ✓ Long-lasting, load-bearing, reinforced 1" stainless steel rail.
- ✓ 2 1 / 5" solid super thick roller - sturdy, enduring, smooth sliding.

## Others



- ✗ Other materials tend to rust, deform and wear out quickly.
- ✗ Other rails are flimsy, prone to bending and unreliable.
- ✗ Other small, thin rollers are flimsy, prone to bending and slide unevenly.

Figure 6.1: Smooth Sliding Rollers.



## Anti-Splash Threshold To Prevent Water Spills

Figure 6.2: Anti-Splash Threshold.

### 7. MAINTENANCE

Regular cleaning and maintenance will prolong the life and appearance of your shower door.

- **Glass Cleaning:** The tempered glass is designed to be easy to clean. Use a soft cloth and a non-abrasive glass cleaner or a mixture of white vinegar and water. Wipe down the glass after each use to prevent water spots and soap scum buildup.
- **Frame and Hardware:** Clean the stainless steel frame and hardware with a soft, damp cloth. Avoid harsh chemicals or abrasive cleaners that could damage the matte black finish or cause rust.
- **Rollers and Tracks:** Periodically inspect the rollers and top guide bar for any debris or buildup that might impede smooth operation. Clean as necessary.
- **Seals:** Check the bottom and side seal strips for wear or damage. Replace if necessary to maintain water-tightness.

### 8. TROUBLESHOOTING

If you encounter any issues with your DELAVIN shower door, refer to the following common solutions:

<b>Problem</b>	<b>Possible Cause / Solution</b>
Door does not slide smoothly	Debris in the track or on rollers. Clean the top guide bar and rollers. Rollers may be loose; ensure they are securely tightened.
Water leakage from enclosure	Seal strips are worn or improperly installed. Check the condition and placement of bottom/side seal strips and replace if damaged. Ensure the anti-splash threshold is correctly positioned.
Glass panel appears loose or wobbly	Mounting hardware or pulley connections are loose. Re-tighten all screws and ensure pulleys are firmly secured to the glass.
Scratches on the rolling bar	Caused by abrasive contact. Handle with care during installation and cleaning. Avoid dragging metal objects across the bar.

If the problem persists after attempting these solutions, please contact DELAVIN customer support.

## **9. WARRANTY & SUPPORT**

DELAVIN is committed to providing high-quality products and excellent customer service. Your DELAVIN shower door comes with a 30-day easy return policy.

### **Contacting Customer Support:**

If you experience any issues with your product, please follow these steps to contact us:

1. Go to your order history where your order is listed.
2. Select "Problem with order" and choose the relevant topic.
3. Click "Contact seller."

Please attach pictures that prove the problem with the product and describe the issue in detail. We will respond to your inquiry within 24 hours and provide a solution, such as quickly replacing damaged or missing parts.



Figure 9.1: Customer Support Process.