



Manuals.plus /

› Mintu /

› Instruction Manual for Mintu DC97-16782A Dryer Repair Kit

## Mintu DC97-16782A

# Instruction Manual

## MINTU DC97-16782A DRYER REPAIR KIT

Model: DC97-16782A | Brand: Mintu

### Product Overview

This repair kit provides essential components for restoring functionality to various Samsung and Maytag dryer models. It addresses common issues such as a noisy dryer, a drum that has stopped turning, a dryer that won't start, clothes being marked, or insufficient heat.



Image: Overview of the Mintu DC97-16782A Dryer Repair Kit, showing all included components: dryer drum rollers, idler pulley, dryer belt, screw, and tension spring.

## Package Contents

The Mintu DC97-16782A Dryer Repair Kit includes the following parts:

- 4 x DC97-16782A Dryer Drum Rollers
- 1 x DC93-00634A Idler Pulley (includes 1 screw)
- 1 x 6602-001655 Dryer Belt
- 1 x DC61-01215B Tension Spring

## Dryer Repair Kit Includes



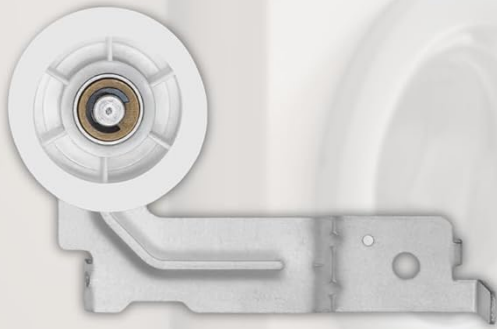
1 x 6602-001655 Drum Belt



1 x DC61-01215B Tension Spring



1 x Screw



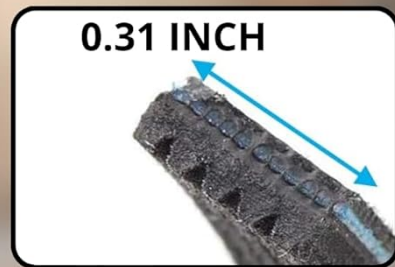
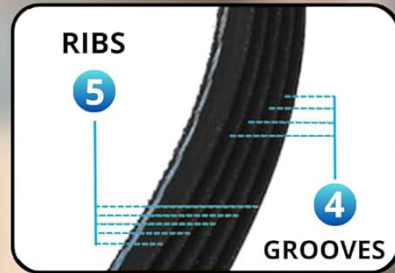
1 x DC93-00634A Idler Pulley



4 x DC97-16782A Dryer Roller

Image: Detailed breakdown of the repair kit contents, showing the drum belt, idler pulley, dryer rollers, tension spring, and screw.

## 6602-001655 Drum Belt



**Replaces: 5P2337 6602-001314 1935594 AP4373659 PS2407938  
PS4133825 EAP2407938 LB1655**

Image: Close-up of the 6602-001655 Dryer Drum Belt, highlighting its dimensions (0.12 inch width, 0.31 inch thickness) and rib/groove count (5 ribs, 4 grooves).

## DC93-00634A Idler Pulley

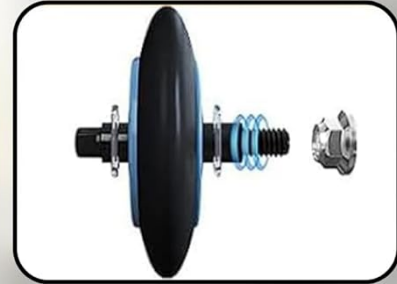
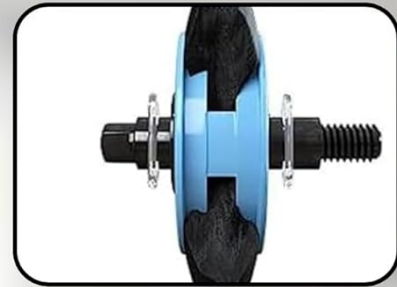


**Replaces : DC96-00882B DC96-00882C DC97-07509B 4455850 AP6038887  
PS11771601 PS4216837 AP4373659 AP4213616**

Image: Detailed view of the DC93-00634A Idler Pulley, showing its assembly with the bracket, wheel, and bearing.

## DC93-00634A Dryer Roller

Make the dryer work more quietly!




**Replaces : DC97-16782E DC97-07523A DC97-07523B 2027851 AP5325135  
PS4221885 PS4218839 EAP4221885 EAP4218839 2027851 DE7523**

Image: Close-up of the DC97-16782A Dryer Drum Roller, illustrating its one-piece injection molding and self-lubricating bearings designed for quiet operation.

### Compatible Models

This repair kit is compatible with a wide range of Samsung and Maytag dryer models. Please refer to the images below to confirm your dryer model's compatibility.

# FITTING SAMSUNG MODELS

Dryer Roller Replacement Kit by  Mintu

DV209-DV328	DV328-DV395	DV395-DV42H	DV42H-DV45K	DV45K-DV50F
DV209AEW/XAA	DV328AGR/XAA	DV395ETPASU/A1	DV42H5400GW/A3	DV45K6500EW/A3
DV209AGW/XAA	DV328AGW/XAA	DV395ETPAWR/A1	DV42H5600EP/A3	DV45K6500GV/A3
DV210AEW/XAA	DV330AEB/XAA	DV400EWHWDR/AA	DV42H5600EW/A3	DV45K6500GW/A3
DV210AGW/XAA	DV330AEW/XAA	DV400GWHWDR/AA	DV42H5600GP/A3	DV45K7600EW/A3
DV218AEB/XAA	DV330AGW/XAA	DV405ETPASU/AA	DV42H5600GW/A3	DV45K7600GW/A3
DV218AEW/XAA	DV331AER/XAA	DV405ETPAWR/AA	DV431AEP/XAA	DV476ETHASU/A1
DV218AGB/XAA	DV331AEW/XAA	DV405GTPASU/AA	DV431AEW/XAA	DV476ETHAWR/A1
DV218AGW/XAA	DV331AGR/XAA	DV405GTPAWR/AA	DV431AGP/XAA	DV476GTHASU/A1
DV219AEB/XAA	DV337AEG/XAA	DV407AEW/XAA	DV431AGW/XAA	DV476GTHAWR/A1
DV219AEW/XAA	DV337AEL/XAA	DV407AGW/XAA	DV433ETGJWR/A1	DV484ETHASU/A1
DV219AGW/XAA	DV337AER/XAA	DV409AER/XAA	DV433GTGJWR/A1	DV484ETHAWR/A1
DV219AGB/XAA	DV337AEW/XAA	DV409AEW/XAA	DV435ETGJRA/A1	DV484GTHASU/A1
DV220AEW/XAA	DV337AGG/XAA	DV409AGR/XAA	DV435ETGJWR/A1	DV484GTHAWR/A1
DV220AGW/XAA	DV337AGL/XAA	DV409AGW/XAA	DV435GTGJRA/A1	DV48H7400EP/A2
DV22K6800EW/A1	DV337AGR/XAA	DV40J3000EW/A2	DV435GTGJWR/A1	DV448AEP/XAA
DV231AEW/XAA	DV337AGW/XAA	DV40J3000GW/A2	DV448AEE/XAA	DV448AEW/XAA
DV231AGW/XAA	DV338AEB/XAA	DV410AER/XAA	DV456GWHDSU/AA	DV448AGE/XAA
DV2C6BEW/XAA	DV338AGB/XAA	DV410AEW/XAA	DV456GWHWDR/AA	DV448AGP/XAA
DV306LEW/XAA	DV338AGW/XAA	DV410AGR/XAA	DV457EVGSGR/AA	DV448AGW/XAA
DV306LGW/XAA	DV350AEP/XAA	DV410AGW/XAA	DV457EVGSWR/AA	DV455EVGSGR/AA
DV316BEC/XAA	DV350AER/XAA	DV419AEU/XAA	DV457GVGSGR/AA	DV455EVGSWR/AA
DV316BEW/XAA	DV350AEW/XAA	DV419AEW/XAA	DV457GVGSWR/AA	DV455GVGSGR/AA
DV316BGC/XAA	DV350AGP/XAA	DV419AGU/XAA	DV45H6300EG/A3	DV455GVGSWR/AA
DV316LEW/XAA	DV350AGR/XAA	DV419AGW/XAA	DV45H6300EW/A3	DV456ETHDSU/AA
DV316LGS/XAA	DV350AGW/XAA	DV422EWHWDR/AA	DV45H6300GG/A3	DV456EWHDSU/AA
DV316LGW/XAA	DV361EWBEWR/A3	DV422GWHWDR/AA	DV45H6300GW/A3	DV456EWHWDR/AA
DV317AEG/XAA	DV361GWBEWR/A3	DV42H5000EW/A3	DV45H7000EW/A2	DV48H7400EW/A2
DV317AES/XAA	DV363EWBEUF/A1	DV42H5000GW/A3	DV45H7000EP/A3	DV48H7400GP/A2
DV317AEW/XAA	DV365ETBGWR/A3	DV42H5200EF/A3	DV45H7000GP/A3	DV48H7400GW/A2
DV317AGG/XAA	DV365GTBGWR/A3	DV42H5200EP/A3	DV45H7000GW/A2	DV48J7700EW/A2
DV317AGS/XAA	DV36J4000EW/A3	DV42H5200EW/A3	DV45H7200EW/A2	DV48J7700GW/A2
DV317AGW/XAA	DV36J4000GW/A3	DV42H5200GF/A3	DV45H7200GW/A2	DV48J7770EP/A2
DV338AEW/XAA	DV393ETPARA/A1	DV42H5200GP/A3	DV45K6200EW/A3	DV48J7770EW/A2
DV328AEG/XAA	DV393ETPAWR/A1	DV42H5200GW/A3	DV45K6200EZ/A3	DV48J7770GP/A2
DV328AER/XAA	DV393GTPARA/A1	DV42H5400EF/A3	DV45K6200GW/A3	DV48J7770GW/A2
DV328AEW/XAA	DV393GTPAWR/A1	DV42H5400EW/A3	DV45K6200GZ/A3	DV50F9A6EVW/A2
DV328AGG/XAA	DV395ETPARA/A1	DV42H5400GF/A3	DV45K6500EV/A3	DV50F9A6GVW/A2

Image: Part 1 of the comprehensive list of compatible Samsung dryer models for the DC97-16782A repair kit.

# FITTING SAMSUNG MODELS

Dryer Roller Replacement Kit by  Mintu

DV50F-DV511	DV520-DVG52	DVE45-DVG54	DVE50-DVG54	DVE54-DVG55	DVG45-DVG60
DV50F9A7EVP/A2	DV520AEP/XAA	DVE45B6300W/A3	DVE50A8500V/A3	DVE54M8750W/A3	DVG45N5300W/A3
DV50F9A7EVW/A2	DV520AEW/XAA	DVE45M5500P/A3	DVE50A8600E/A3	DVE54R7600C/A3	DVG45R6100C/A3
DV50F9A7GVP/A2	DV520AGP/XAA	DVE45M5500W/A3	DVE50A8600V/A3	DVE54R7200V/A3	DVG45R6100P/A3
DV50F9A7GVW/A2	DV520AGW/XAA	DVE45M5500Z/A3	DVE50A8800V/A3	DVE54R7200W/A3	DVG45R6100W/A3
DV50F9A8EVP/A2	DV52J8060EW/A2	DVG45M5500P/A3	DVE50M7450W/A3	DVE54R7600V/A3	DVG45R6300C/A3
DV50F9A8EVW/A2	DV52J8060GW/A2	DVE45N5300F/A3	DVE50M7450P/A3	DVE54R7600W/A3	DVG45R6300V/A3
DV50F9A8GVP/A2	DV52J8700EP/A2	DVE45N5300V/A3	DVE50R5400V/A3	DVE55A7300E/A3	DVG45R6300W/A3
DV50F9A8GVW/A2	DV52J8700EW/A2	DVE45N5300W/A3	DVE50R5400W/A3	DVE55A7700V/A3	DVG45T3200W/A3
DV50K7500EV/A3	DV52J8700GP/A2	DVE45R6100C/A3	DVE50R5200W/A3	DVE55M9600V/A3	DVG45T3400W/A3
DV50K7500EW/A3	DV52J8700GW/A2	DVE45R6100P/A3	DVE50R8500V/A3	DVE55M9600W/A3	DVG50A8500V/A3
DV50K7500GV/A3	DV5451AEW/XAA	DVE45R6100V/A3	DVE50R8500W/A3	DVE60A9900V/A3	DVG50A8600E/A3
DV50K7500GW/A3	DV5451AGW/XAA	DVE45R6100W/A3	DVE50T5300C/A3	DVE60M9900V/A3	DVG50A8600V/A3
DV50K8600EV/A3	DV5471AEP/XAA	DVE45R6300C/A3	DVE52A5500C/A3	DVE60M9900W/A3	DVG50A8800V/A3
DV50K8600EW/A3	DV5471AEW/XAA	DVE45R6300V/A3	DVE52A5500V/A3	DVG45A6400V/A3	DVG50M7450P/A3
DV50K8600GV/A3	DV5471AGP/XAA	DVE45R6300W/A3	DVE52A5500W/A3	DVG45A6400W/A3	DVG50M7450W/A3
DV50K8600GW/A3	DV5471AGW/XAA	DVE45T3200W/A3	DVE52M7750V/A3	DVG45B6300W/A3	DVG50R5200W/A3
DV501AEW/XAA	DVE22N6850X/A2	DVE45T3400P/A3	DVE52M7750W/A3	DVG45M5500W/A3	DVG50R5400V/A3
DV511AER/XAA	DVE41A3000W/A3	DVE45T3400V/A3	DVE52M8650V/A3	DVG45M5500Z/A3	DVG50R5400W/A3
DV511AEW/XAA	DVE45A6400V/A3	DVE45T3400W/A3	DVE52M8650W/A3	DVG45N5300F/A3	DVG50R8500V/A3
DV511AGR/XAA	DVE45A6400W/A3	DVE45T6000W/A3	DVE54M8750V/A3	DVG45N5300V/A3	DVG50R8500W/A3
DV511AGW/XAA	DVE45B6300C/A3	DVE45T6200W/A3	DVG54R7200W/A3	DVG55A7300E/A3	DVG60A9900V/A3
DVG52A5500C/A3	DVG52M7750W/A3	DVG54M8750V/A3	DVG54R7600C/A3	DVG55A7700V/A3	DVG60M9900V/A3
DVG52A5500V/A3	DVG52M8650V/A3	DVG54M8750W/A3	DVG54R7600V/A3	DVG55M9600V/A3	DVG60M9900W/A3
DVG52A5500W/A3	DVG52M8650W/A3	DVG54R7200V/A3	DVG54R7600W/A3	DVG55M9600W/A3	DVG60M9900W/A3

MAYTAG MODELS			KENMORE MODELS		AMANA MODELS
MDE6700AYW	MDG6700AWW	MDE9700AZM	40289032010	40299032010	NED7200TW10
MDE6700AZW	MDE9700AYM	MDE9700AZW	40289032011	40299032011	NGD7200TW10
MDG6700AWM	MDE9700AYW	MDG9700AWW	40289032012	40299032012	YNED7200TW0

We attach great importance to customer experience. If you encounter any questions after purchase, please feel free to email us, and we promise to give you a satisfactory reply within 12 hours!

INCOMPATIBLE MODELS					
DV22K6800EW/A1-00	DV22K6800EW/A1-11	DV56H9000EP/A2-00	DV56H9000GW/A2-00	DV56H9000EW/A2-00	DV56H9100EG/A2-00
DV22K6800EW/A1-01	DVE22N6850X/A2-00	DV56H9000GP/A2-00	DV56H9100GW/A2-00	DV56H9100EW/A2-00	DV56H9100EG/A2-01
					DV56H9100GG/A2-00

Image: Part 2 of the comprehensive list of compatible Samsung, Maytag, Kenmore, and Amana dryer models for the DC97-16782A repair kit, including a section for incompatible models.

Some compatible Samsung models include: DV45H7000EW/A2, DV45k6200/A3, DV40J3000EW/A2, DV400EWHDR/AA, DV405ETPASU/AA, DV395ETPASU/A1, DV44AGP/XAA, DV330AEBXAA01, DC50F9A6EVW/A2, DV331AER/XAA, DV48H7400EW/A2, DV50K8600EV/A3, DV42H5000GW/A3, DV48H7400GW/A2, DV40J3000EW/A2, DV45H7000EW/A2, DV45K6500EV/A3, DV45K7600EW/A3, DVE50M7450W/A3, DV210AEW/XAA, DV210AGW/XAA, DV218AEB/XAA, DV42H5200EP/A3, DV42H5200EW/A3, DV42H5000EW/A3, DV42H5000GW/A3, DV42H5200EF/A3.

Compatible Maytag models include: MDE9700AYW, MDE6700AYW, MDG9700AWW.

## Setup and Installation

Before beginning any repair, ensure the dryer is completely disconnected from its power source and water source (if applicable). Safety is paramount during appliance repair.

## EASY DIY INSTALLATION

**Before replacing the part disconnect the power source and water source from your dryer before beginning any repair**

### 1 step



**Remove the roller from the bolt**

### 2 step



**Insert washer into threaded side retaining pin**

### 3 step



**Insert the idler pulley into the bearing**

### 4 step



**Pulley and motor shaft in a zig-zag formation**

Image: Visual guide for easy DIY installation, showing four steps: removing the roller from the bolt, inserting the washer, inserting the idler pulley into the bearing, and forming a zig-zag with the pulley and motor shaft.

### Installation Steps:

- Step 1: Disconnect Power and Water.** Always ensure the dryer is unplugged and the water supply (for steam models) is turned off before starting any work.
- Step 2: Access Dryer Components.** Depending on your dryer model, you may need to remove the front panel, top panel, or rear panel to access the drum, belt, idler pulley, and rollers. Refer to your specific dryer's service manual for detailed access instructions.
- Step 3: Remove Old Components.**
  - Carefully remove the old dryer belt from around the drum and motor pulley.
  - Remove the old idler pulley assembly. This typically involves unbolting it from its mounting bracket.
  - Remove the worn dryer drum rollers. These are usually attached to a shaft or bolt.
- Step 4: Install New DC97-16782A Dryer Drum Rollers.**
  - Remove the roller from the bolt.
  - Insert the washer into the threaded side retaining pin.
  - Attach the new rollers to their respective mounting points. Ensure they spin freely.
- Step 5: Install New DC93-00634A Idler Pulley.**
  - Insert the idler pulley into the bearing.
  - Mount the new idler pulley assembly in the same location as the old one, securing it with the provided screw.
- Step 6: Install New 6602-001655 Dryer Belt.**
  - Route the new dryer belt around the dryer drum.
  - Route the belt around the motor pulley and the new idler pulley in a zig-zag formation, ensuring proper tension. The idler pulley should apply tension to the belt.
- Step 7: Reassemble Dryer.** Reattach all panels and components that were removed.

8. **Step 8: Test Dryer.** Plug the dryer back in and test its operation to ensure the drum spins smoothly and quietly, and that heating functions correctly.

## Operating Considerations (Post-Repair)

After successful installation of the repair kit, your dryer should operate more efficiently and quietly. The new components are designed to restore optimal performance.

- The upgraded dryer drum rollers feature one-piece injection molding and self-lubricating bearings to reduce noise and vibration during operation.
- The idler pulley has a double bearing design for long-lasting belt tension and reduced wear on the motor.
- The dryer belt is designed with increased thickness for improved resistance to abrasion and enhanced transmission efficiency.

## Maintenance

While the components in this kit are designed for durability, regular dryer maintenance can extend the life of your appliance and its parts:

- **Clean Lint Filter:** Clean the lint filter after every load to maintain airflow and prevent overheating.
- **Inspect Venting:** Periodically check and clean the dryer's exhaust vent to ensure it is free of lint buildup. A clogged vent can strain dryer components.
- **Listen for Unusual Noises:** Pay attention to any new or unusual noises from your dryer, as this can indicate wear on rollers, the idler pulley, or the motor.
- **Avoid Overloading:** Do not overload the dryer, as this can put excessive strain on the drum, belt, and motor.

## Troubleshooting Common Issues

This repair kit is designed to fix several common dryer problems. If you experience any of the following issues after installation, or if your dryer exhibits these symptoms before repair, this kit may provide the solution:

## FIXES FOLLOWING PROBLEMS



**dryer is noisy**



**drum has stopped turning**



**dryer won't start**



**leaves marks on the clothes**



**no heat or not enough heat**

Image: Infographic detailing common dryer problems that the repair kit addresses, including noisy dryer, drum stopped turning, dryer won't start, marks on clothes, and no heat or not enough heat.

- **Dryer is Noisy:** Worn drum rollers or idler pulley can cause squealing, thumping, or grinding noises. Replacing these parts can significantly reduce noise.
- **Drum Has Stopped Turning:** A broken or stretched dryer belt, or a seized idler pulley or drum roller, can prevent the drum from rotating.
- **Dryer Won't Start:** While less common for these specific parts, a completely seized idler pulley or drum roller could potentially prevent the motor from starting if it creates too much resistance.
- **Leaves Marks on Clothes:** Damaged or worn drum rollers can sometimes leave black marks on clothes as the drum rubs against internal components.
- **No Heat or Not Enough Heat:** Although primarily mechanical parts, a severely malfunctioning belt or pulley system can sometimes indirectly affect heating efficiency by preventing proper tumbling and airflow.

If issues persist after proper installation, consult a qualified appliance technician.

## Specifications

Attribute	Detail
Brand Name	Mintu
Model Info / Item Model Number / Part Number	DC97-16782A
Item Weight	2.12 pounds
Product Dimensions	7 x 6 x 3 inches
Included Components	4 x Drum Roller, 1 x Dryer Belt, 1 x Idler Pulley
Color	Blue (referring to roller accents)
UPC	017015800594
Date First Available	February 5, 2021

## Warranty Information

Specific warranty details for the Mintu DC97-16782A Dryer Repair Kit are not provided in this manual. For information regarding product warranty, please contact Mintu customer support directly or refer to the product listing at the time of purchase.

## Customer Support

For any questions, concerns, or assistance with the Mintu DC97-16782A Dryer Repair Kit, please reach out to Mintu customer support. We are committed to providing a satisfactory reply within 12 hours.

You can often find contact information on the product packaging, the seller's page on the retail platform, or the manufacturer's official website.