

Palram HG9517

Palram-Canopia Aquila Siding Kit (Models 2050 & 4100 Series) Instruction Manual

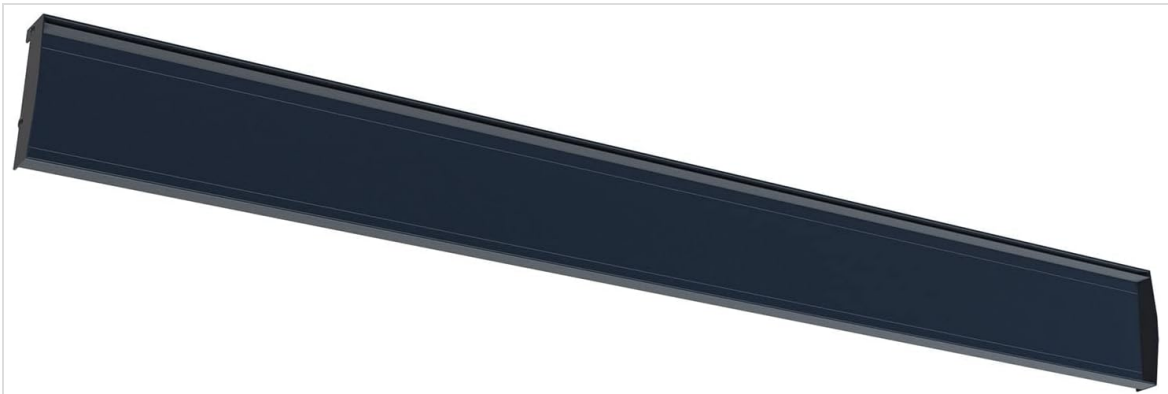
Model: HG9517

1. PRODUCT OVERVIEW

The Palram-Canopia Aquila Siding Kit is designed to facilitate the secure installation of Aquila 2050 and 4100 series door awnings on structures with lap siding. This kit provides a flat, stable surface for mounting the awning and allows for proper anchoring to wall studs, ensuring a robust and level installation.

The mounting plate is constructed from dark gray aluminum, featuring a powder-coated finish for enhanced durability, rust resistance, and minimal maintenance requirements. For Aquila 2050 awnings, one siding kit is typically required. For Aquila 4100 awnings, two siding kits are necessary to accommodate the larger size.

- Provides a flat surface for installing Palram Aquila and Nancy 2050 and 4100 series awnings on lap siding or for anchoring to wall studs.
- Dark gray color matches Palram Nancy and Aquila awning frame profiles.
- Heavy-duty aluminum mounting plate is rust and corrosion resistant.
- All necessary installation hardware is included.



2. SAFETY INFORMATION

WARNING: Always use proper safety precautions when handling and installing this product. Keep hands and face away from moving parts. Ensure proper anchoring to prevent accidents due to wind or heavy loads. Do not install in areas prone to high winds or heavy snow loads without proper reinforcement. Keep sharp edges away from children and pets.

3. PACKAGE CONTENTS

The Aquila Siding Kit package includes:

- Aquila Siding Mounting Plate(s)
- All necessary installation hardware for mounting the siding kit to the wall.

Please verify all components are present and undamaged before beginning installation.

4. SETUP AND INSTALLATION

This siding kit is an adapter for mounting Palram Aquila awnings on lap siding. Refer to your specific Aquila awning instruction manual for complete awning assembly and mounting details. The following steps outline the installation of the siding kit itself:

1. **Determine Awning Placement:** Identify the desired location for your Aquila awning. Ensure the area is clear and suitable for installation, considering wall studs for secure anchoring.
2. **Prepare the Wall Surface:** Clean the section of the lap siding where the siding kit will be installed.
3. **Position the Siding Kit:** Place the Aquila Siding Kit against the lap siding. The kit is designed to bridge the uneven surface of the siding, creating a flat plane for the awning's mounting brackets. Ensure it is level.
4. **Mark Drilling Points:** Using the pre-drilled holes on the siding kit as a guide, mark the corresponding drilling points on your wall. It is crucial to anchor the siding kit directly into wall studs for maximum stability. Use a stud finder to locate studs.
5. **Drill Pilot Holes:** Drill pilot holes at the marked locations, ensuring the drill bit size is appropriate for the provided hardware and wall material.
6. **Secure the Siding Kit:** Attach the siding kit to the wall using the provided hardware. Tighten all fasteners securely, but do not overtighten.
7. **Install Awning:** Once the siding kit is firmly in place, proceed with mounting your Aquila 2050 or 4100 series awning according to its specific instruction manual. The awning's mounting brackets will attach directly to the flat surface provided by the installed siding kit.

Note on Quantity: Use one siding kit for Aquila 2050 awnings and two siding kits for Aquila 4100 awnings, aligning them end-to-end to create the necessary length.

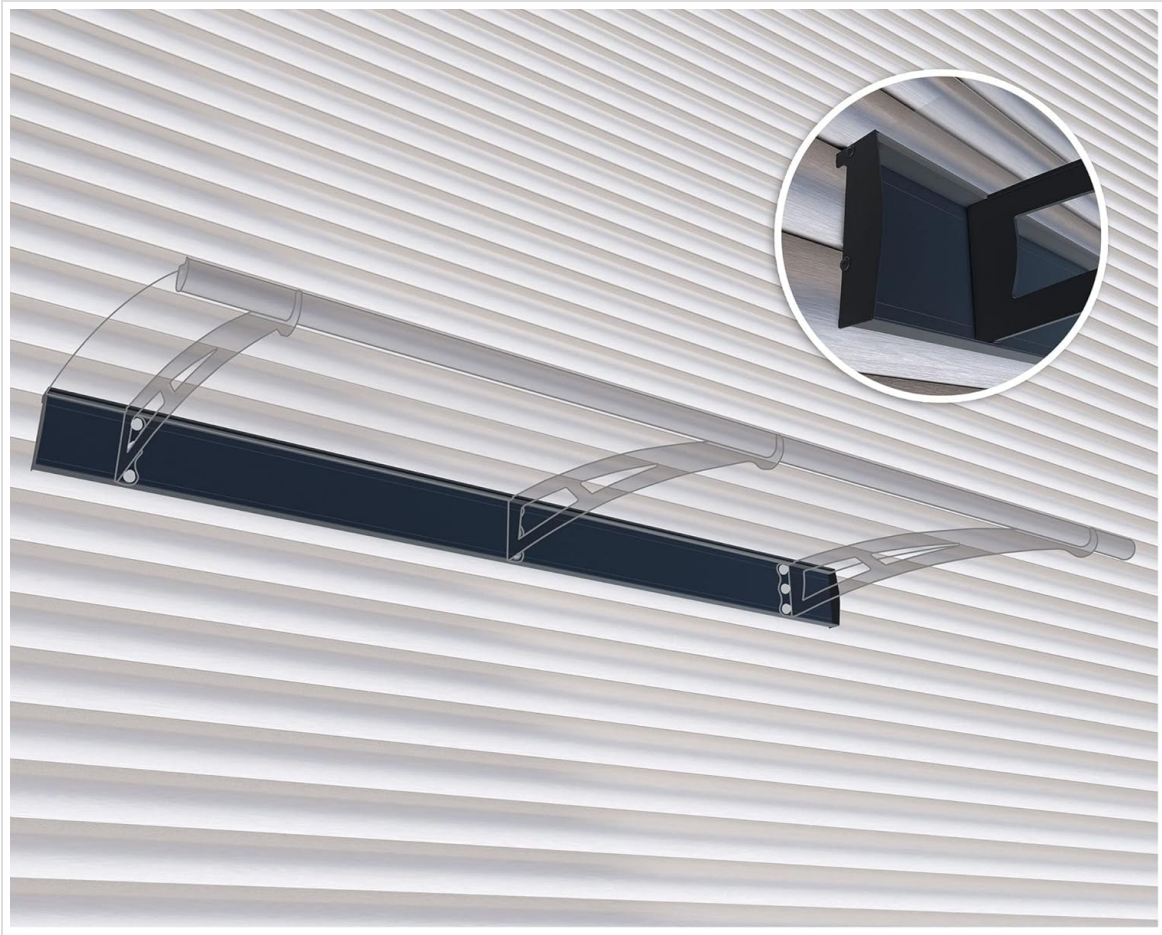


Image 4.1: Illustration of the Aquila Siding Kit providing a flat mounting surface on lap siding for an awning.

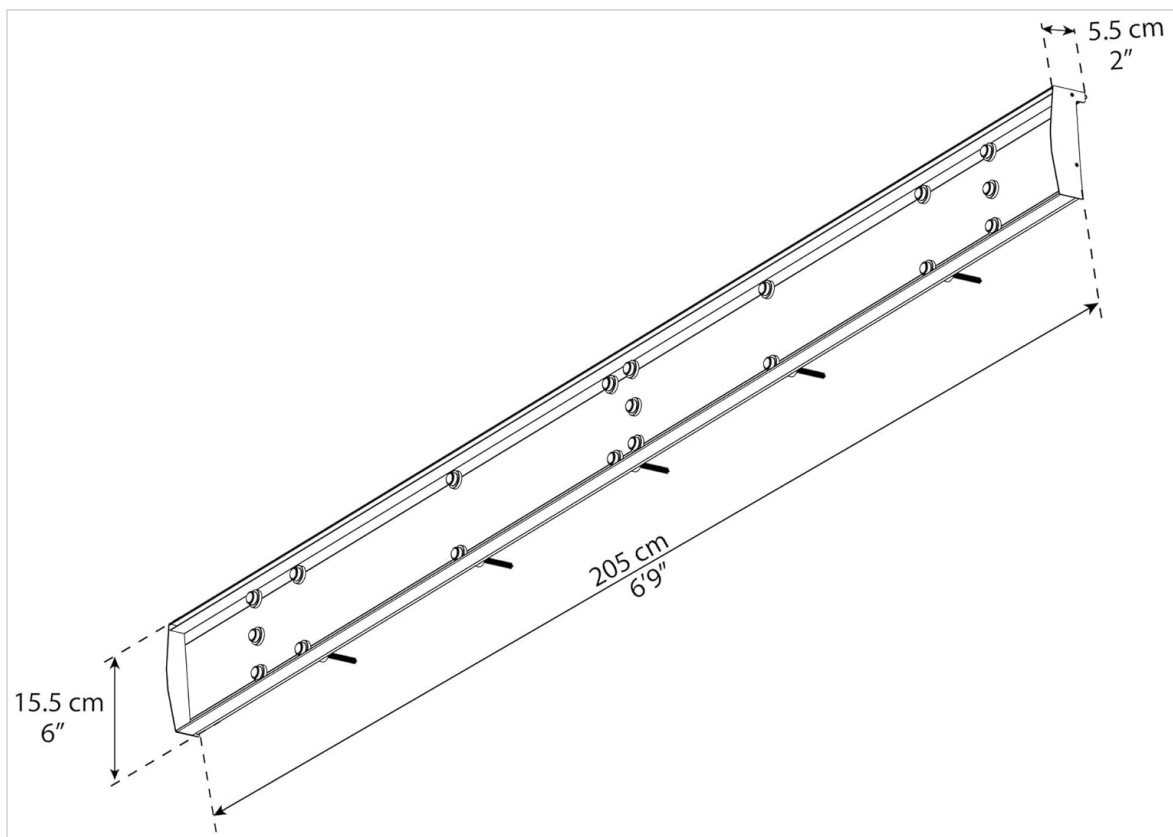


Image 4.2: Dimensional drawing of the Aquila Siding Kit, showing length and width measurements.

5. USAGE

The Aquila Siding Kit serves as a critical interface for mounting Palram Aquila awnings on exterior

walls with lap siding. By creating a uniform and stable mounting surface, it ensures that the awning can be securely attached and properly supported, preventing issues that might arise from uneven wall surfaces.



Image 5.1: An Aquila awning installed above a doorway, demonstrating the typical application where the siding kit would be used.

6. MAINTENANCE

The Aquila Siding Kit is designed to be maintenance-free due to its durable aluminum construction and powder-coated finish, which provides excellent resistance to rust and corrosion. Periodic cleaning with a mild soap and water solution may be performed to remove dirt or debris and maintain its appearance.

7. TROUBLESHOOTING

- **Awning Not Level:** Ensure the siding kit was installed perfectly level. Adjust fasteners if necessary, or re-position the kit before final tightening.
- **Awning Not Secure:** Verify that the siding kit is firmly anchored into wall studs. If not, re-install, ensuring proper stud location and use of appropriate fasteners.
- **Difficulty Mounting Awning:** Confirm that the correct number of siding kits (one for Aquila 2050, two for Aquila 4100) has been used and that they are properly aligned to match the awning's mounting points.

8. SPECIFICATIONS

Feature	Detail
---------	--------

Feature	Detail
Model Number	HG9517
Material	Aluminum, Coated Galvanized Steel
Color	Solar Gray
Product Dimensions	72"D x 9"W x 2"H (Approximate, refer to diagram for precise kit dimensions)
Item Weight	13.6 Pounds
Assembly Required	Yes (for installation)
Compatibility	Palram Aquila 2050 and 4100 Series Awnings

9. MANUFACTURER CONTACT INFORMATION

For further assistance or inquiries regarding your Palram-Canopia Aquila Siding Kit, please contact the manufacturer:

Phone: 877-627-8476