



Manuals.plus /

› YINVANI /

› YINVANI DS01 Frameless Double Sliding Shower Door Instruction Manual

YINVANI DS01-BN607610

YINVANI DS01 Frameless Double Sliding Shower Door Instruction Manual

Model: DS01-BN607610

Brand: YINVANI

INTRODUCTION

This manual provides essential information for the safe and efficient installation, operation, and maintenance of your YINVANI DS01 Frameless Double Sliding Shower Door. Please read this manual thoroughly before beginning installation or use to ensure proper function and longevity of your product. Keep this manual for future reference.

PRODUCT FEATURES

Adjustable Sizing and Design

The YINVANI DS01 shower door is designed for flexibility, fitting openings from 56 to 60 inches wide and standing 76 inches high. Its width is adjustable up to a maximum of 61 inches, with a walk-in width ranging from 24.5 to 29.5 inches. The dual pulley system and new wall mount bracket with anti-collision effect ensure a simple yet safe design, providing a spacious shower experience. Minor cutting of the rail, not exceeding 4 inches, may be performed if necessary.



Image: The YINVANI DS01 Frameless Double Sliding Shower Door, showcasing its elegant design and spacious entry in a contemporary bathroom setting.

High-Quality Materials and Construction

This frameless double sliding shower door features 3/8 inch (10 mm) certified ANSI standard tempered glass, ensuring safety and durability. The glass is easy to clean on both sides. All hardware, including the rail, rollers, and towel bars, is constructed from robust 304 stainless steel, designed to resist bending, warping, and corrosion for long-lasting performance.

DS01

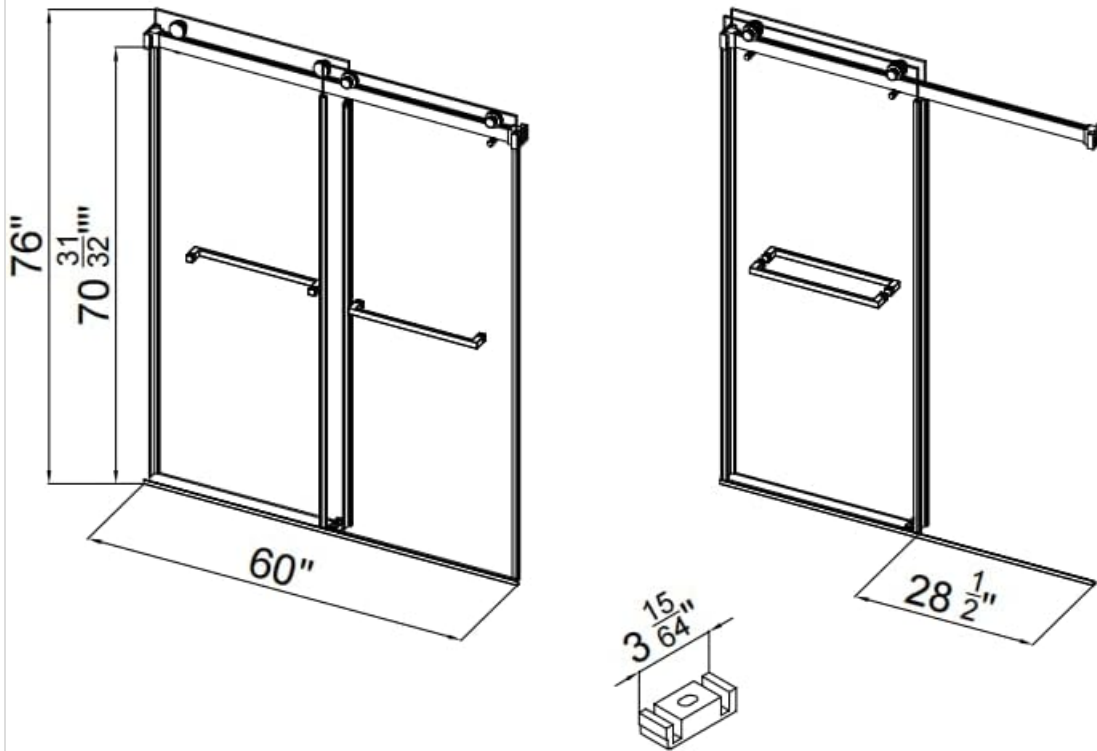


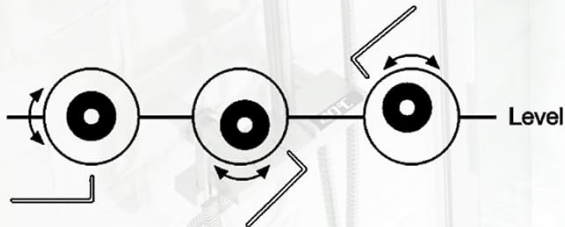
Image: A visual comparison highlighting the superior water repellency of YINVANI's treated glass compared to untreated glass, demonstrating its easy-to-clean properties.

Safe and Quiet Operation

The frameless shower door incorporates eccentric rollers at the top, designed for smooth and noiseless sliding. For enhanced safety, the outer surface of the glass is treated with a transparent explosion-proof film, which significantly increases impact and crack resistance, minimizing the risk of injury from shattered glass.

UNIQUE ROLLER ECCENTRIC SHAFT DESIGN

when the wall is not flat, you can adjust the roller to make the glass parallel to the wall.



Use the provided Allen key to turn the disks, lowering or raising them to accommodate out-of-plumb walls.

Image: Detail of the unique eccentric roller shaft design, which allows for precise adjustment to ensure the glass remains parallel to uneven wall surfaces.

LARGE STURDY STAINLESS-STEEL ROLLERS

ROLLERS WITH NEWEST ANTI-JUMPING SYSTEM, PROVIDES THE MOST SMOOTHLY, EFFORTLESS, QUIETLY SLIDING OPERATION FOR YOUR SHOWER.

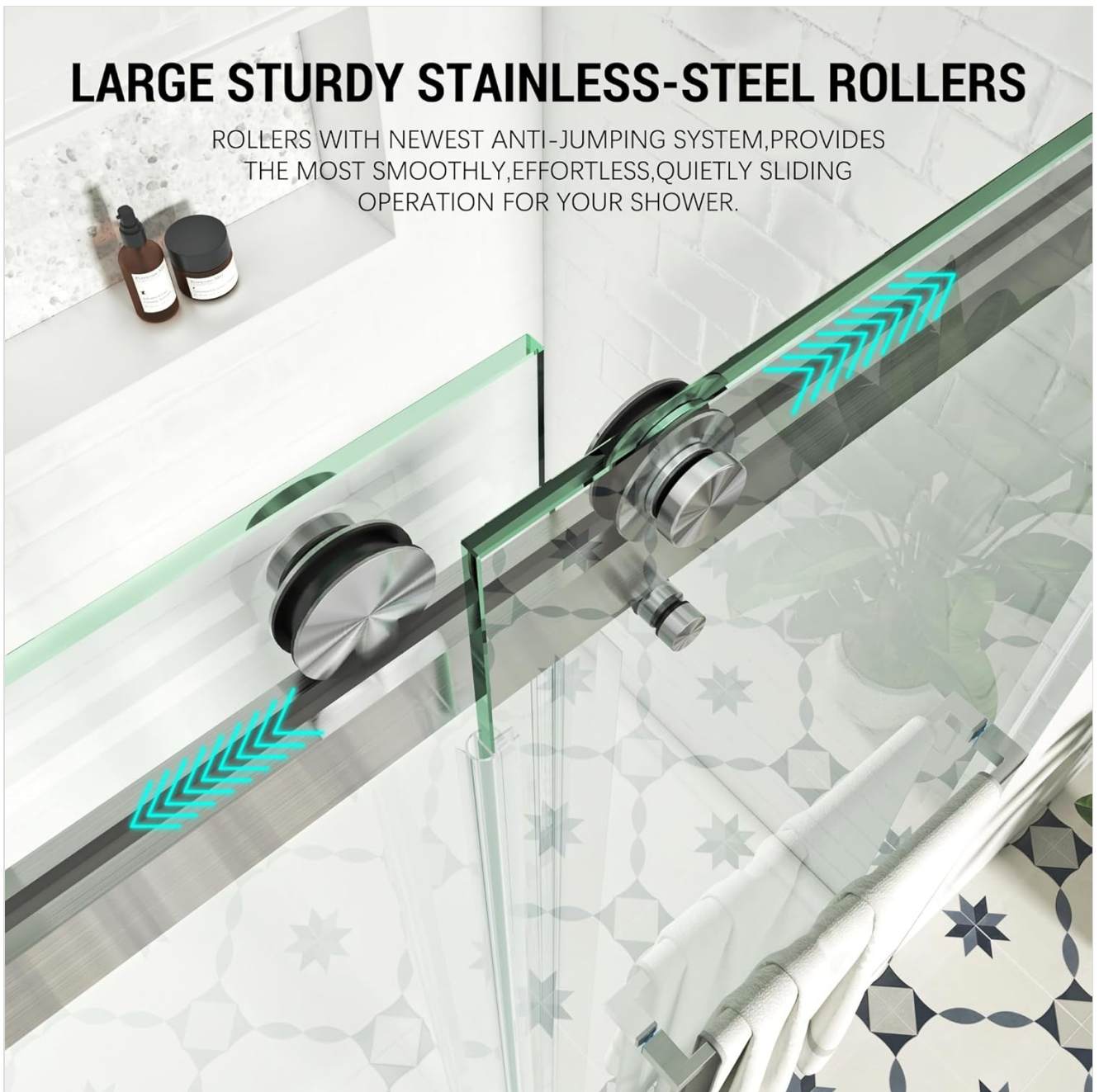


Image: Close-up view of the large, sturdy stainless-steel rollers, featuring an anti-jumping system for smooth, effortless, and quiet door operation.

ANTI-CRASH DESIGN

Uniquely designed anti-collision structure, effectively avoiding damage caused by collision.



Image: An anti-crash design element, showing the uniquely designed anti-collision structure that effectively prevents damage from door impact.

Your browser does not support the video tag.

Video: Official product video demonstrating the smooth sliding operation and key features of the YINVANI DS01 shower door.

Effective Waterproofing

The YINVANI DS01 shower door is designed for superior water containment. The inner glass surface features a protective nano waterproof coating, which helps repel water and reduce the buildup of soap scum and mineral deposits, making cleaning easier. High-quality side and bottom seals, along with a stainless steel waterproof threshold at the bottom, work together to effectively prevent water leakage, maintaining a clean and dry bathroom environment.

Seal-thru Technology All-in-one waterproof seal strips prevent waterleaks.



Water & Stain Resistant Glass Coating
Easy to clean, resist water spots,
reduce cleaning frequency.

High Quality Stainless Steel Handle
Can be used for towel bars.



ANSI Certified Tempered Glass

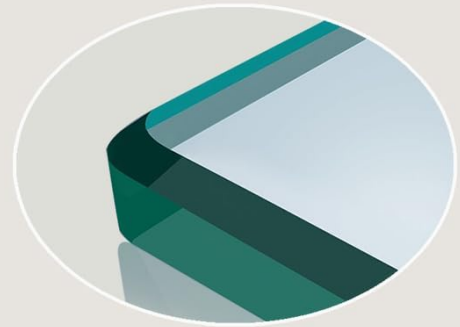


Image: An illustration detailing the "Seal-thru Technology" with all-in-one waterproof seal strips, highlighting the water and stain resistant glass coating and the high-quality stainless steel handle that doubles as a towel bar.

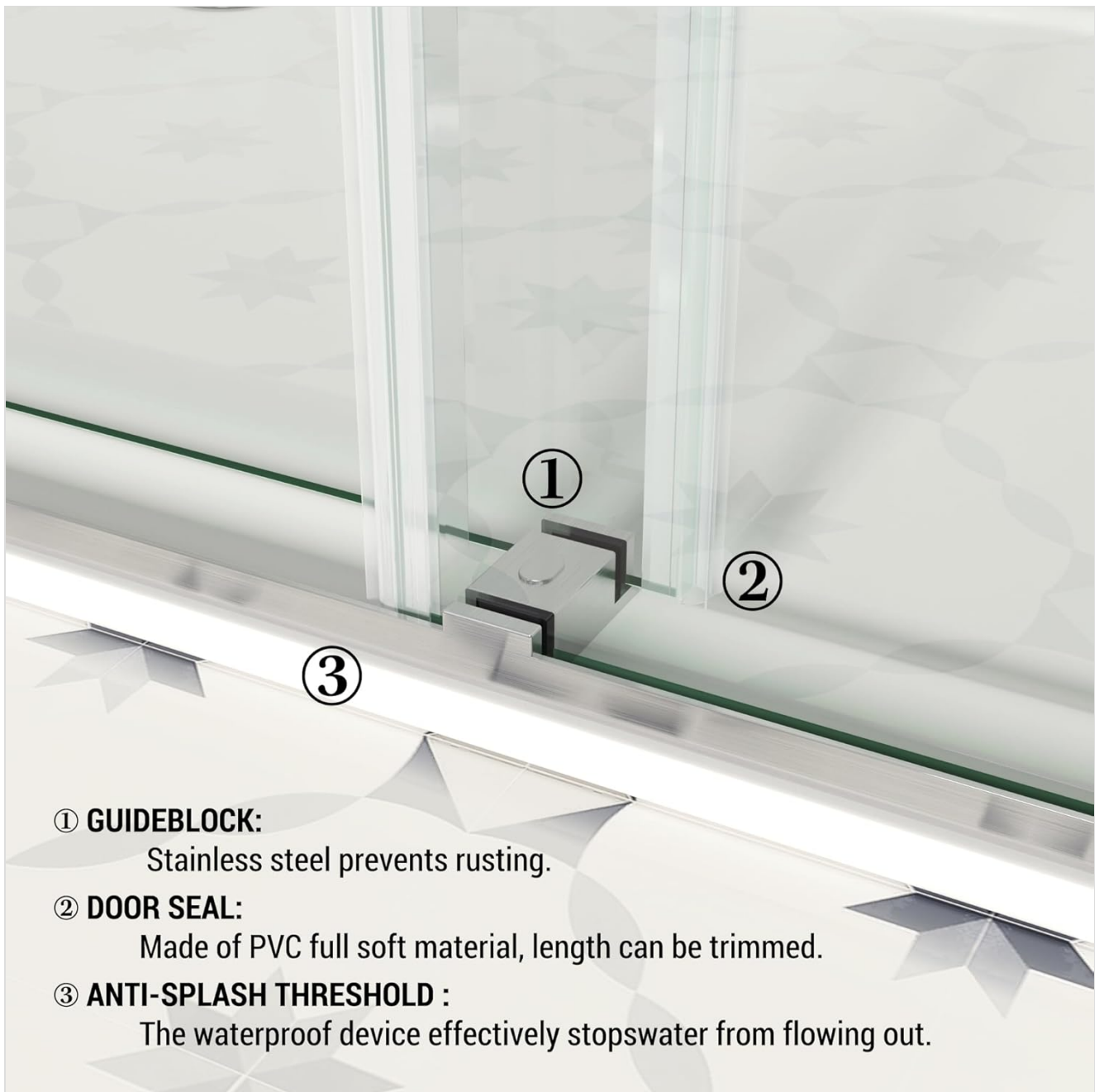


Image: A detailed view of the waterproofing components, including the stainless steel guideblock, PVC full soft material door seal, and the anti-splash threshold designed to prevent water from flowing out.

Integrated Towel Bars

Each sliding door is equipped with a convenient towel bar that also serves as a handle. These 20-2/3 inch long towel bars are seamlessly integrated, offering both functionality and a modern aesthetic without visible seams.



TOWEL BAR

No seams on the side, mildew-resistant. Combined handle and towel bar, simple and elegant.

Image: A close-up of the integrated towel bar, emphasizing its seamless design and dual function as a handle.

SAFETY INFORMATION

Your YINVANI shower door is constructed with SGCC 3/8" (10 mm) clear tempered glass, which is designed to be shatter-resistant for safety. In the rare event of breakage, tempered glass shatters into small, relatively harmless pieces, reducing the risk of injury. Always handle glass panels with care during installation and use. Ensure all components are securely fastened according to the installation instructions to prevent accidents. Do not hang heavy objects on the towel bars or apply excessive force to the doors.

For detailed safety warnings and precautions, please refer to the comprehensive Installation Manual.

SETUP AND INSTALLATION

Installation of the YINVANI DS01 Frameless Double Sliding Shower Door requires careful attention to detail and adherence to specific steps. It is recommended that installation be performed by two people due to the weight and size of the glass panels. Please ensure your wall is finished before measuring for installation, as the door seals and adjustment rollers can accommodate up to 1/4 inch offset on both sides of the wall.

Required Tools:

- Drill
- Caulk Gun
- Saw
- Tape Measure
- Allen Keys
- Pencil
- Screwdriver
- Level

For comprehensive, step-by-step installation instructions, including detailed diagrams and specific measurements, please download and refer to the official Installation Manual (PDF):

[Download Installation Manual \(PDF\)](#)



Image: Technical drawing illustrating the dimensions and key components of the DS01 shower door, essential for accurate installation.

The YINVANI DS01 shower door features a double sliding design, allowing both panels to move smoothly along the top rail. To open or close the door, gently push or pull the integrated towel bar handles. The eccentric rollers ensure a quiet and effortless gliding motion. Always ensure the doors are fully closed before showering to prevent water leakage.

MAINTENANCE AND CLEANING

Regular cleaning and maintenance will preserve the appearance and functionality of your shower door. The tempered glass features a nano waterproof coating, which helps repel water and reduce the buildup of soap scum and mineral deposits, making cleaning easier.

Cleaning the Glass:

- For daily cleaning, wipe down the glass with a soft cloth or squeegee after each use to remove water droplets.
- For deeper cleaning, use a mild, non-abrasive glass cleaner or a solution of warm water and white vinegar.
- Avoid using abrasive cleaners, scouring pads, or harsh chemicals, as these can damage the glass coating and hardware finish.

Cleaning the Hardware:

- Wipe stainless steel components with a soft, damp cloth.
- For stubborn spots, use a mild soap solution and rinse thoroughly.
- Do not use abrasive cleaners or steel wool on the brushed nickel finish, as this can scratch or dull the surface.

Maintaining Rollers and Seals:

- Periodically inspect the rollers for any debris or hair that might impede smooth operation. Clean as needed.
- Check the door seals (PVC soft material) for wear or damage. While designed for durability, replacement may be necessary over time to maintain waterproofing.

TROUBLESHOOTING

If you encounter any issues with your YINVANI DS01 shower door, please consult the following common troubleshooting tips. For more complex problems or if these solutions do not resolve the issue, refer to the full installation manual or contact YINVANI customer support.

Problem	Possible Cause	Solution
Door does not slide smoothly.	Debris in the track or worn rollers.	Clean the track thoroughly. Inspect rollers for damage and replace if necessary. Apply a silicone-based lubricant to the track if needed.
Water leakage from the door.	Improperly installed seals, damaged seals, or insufficient silicone sealant.	Check all seals (side and bottom) for proper placement and condition. Re-apply silicone sealant where necessary, especially around the frame and threshold. Ensure the door is fully closed during use.
Door not plumb/level.	Wall offset or incorrect roller adjustment.	Use the eccentric roller design to adjust the glass panel to be parallel with the wall. Refer to the installation manual for detailed adjustment steps.

SPECIFICATIONS

Attribute	Detail
Brand	YINVANI
Model Number	DS01-BN607610
Size	Adjustable 56"-60"W x 76"H (Current variant: 60"×76")
Color	Brushed Nickel
Material	Glass, Stainless Steel
Glass Thickness	3/8 inch (10 mm) SGCC Clear Tempered Glass
Style	Modern
Assembly Required	Yes
Item Weight	219 pounds
Product Dimensions	0.38 x 60 x 76 inches
UPC	742723172267
Date First Available	January 31, 2021

WARRANTY AND SUPPORT

YINVANI is committed to customer satisfaction and product quality. Your shower door is shipped in sturdy wooden packaging designed to withstand impact and heavy pressure during transit. In the event of any issues, whether related to installation difficulties, accidental glass breakage during installation, or other concerns, there is no need to return the product.

Simply contact YINVANI customer support, and we will provide assistance to resolve the problem, including product replacement if necessary. Our goal is to ensure a smooth and satisfactory experience with your YINVANI shower door. For support, please visit the YINVANI Store on Amazon or refer to the contact information provided in your product packaging.