

Manuals.plus /

- › Rosieres /
- › ROSIERES RH 64CT 2 Vitroceramic Hob User Manual

Rosieres RH64CT2

ROSIERES RH 64CT 2 Vitroceramic Hob User Manual

Model: RH64CT2 | Brand: Rosieres

INTRODUCTION

This user manual provides comprehensive instructions for the safe and efficient installation, operation, maintenance, and troubleshooting of your new ROSIERES RH 64CT 2 Vitroceramic Hob. Please read this manual carefully before using the appliance and keep it for future reference. Proper use and care will ensure optimal performance and longevity of your hob.

SAFETY INFORMATION

Always adhere to the following safety precautions to prevent personal injury or damage to the appliance:

- Ensure the appliance is installed by a qualified technician in accordance with local regulations and electrical codes.
- Do not operate the hob if the ceramic glass surface is cracked or broken. Disconnect from power immediately.
- Keep children away from the appliance during operation and when it is cooling down, as surfaces remain hot.
- Do not store flammable materials on or near the hob.
- Use only flat-bottomed cookware suitable for ceramic hobs.
- Avoid placing metallic objects like knives, forks, spoons, and lids on the hob surface as they can get hot.
- Always turn off the cooking zones after use.
- Do not clean the hob with steam cleaners.
- Be aware of the residual heat indicator; the surface remains hot even after the hob is turned off.

PRODUCT OVERVIEW

The ROSIERES RH 64CT 2 Vitroceramic Hob is designed for modern kitchens, offering efficient and precise cooking. It features four cooking zones with individual touch controls and 10 power levels for versatile cooking.

- **Four Vitroceramic Cooking Zones:** Provides ample space for multiple pots and pans.

- **Individual Touch Controls:** Each zone has its own dedicated power control for easy adjustment without navigating menus.
- **10 Cooking Levels:** Offers precise temperature control for various cooking needs.
- **Total Power 6500W:** Ensures rapid heating and efficient cooking.
- **Large Zone (22 cm, 2300W):** Ideal for larger cookware and faster boiling.
- **Integrated Timer:** Helps manage cooking times accurately.
- **Child Safety Lock:** Prevents accidental activation or changes to settings.
- **Anti-Overflow Safety:** Automatically shuts off the hob if liquid overflows onto the controls.
- **Residual Heat Indicator:** Warns when a cooking zone is still hot after use.



Figure 1: Top view of the ROSIERES RH 64CT 2 Vitroceramic Hob, showing the four cooking zones and touch control panel.

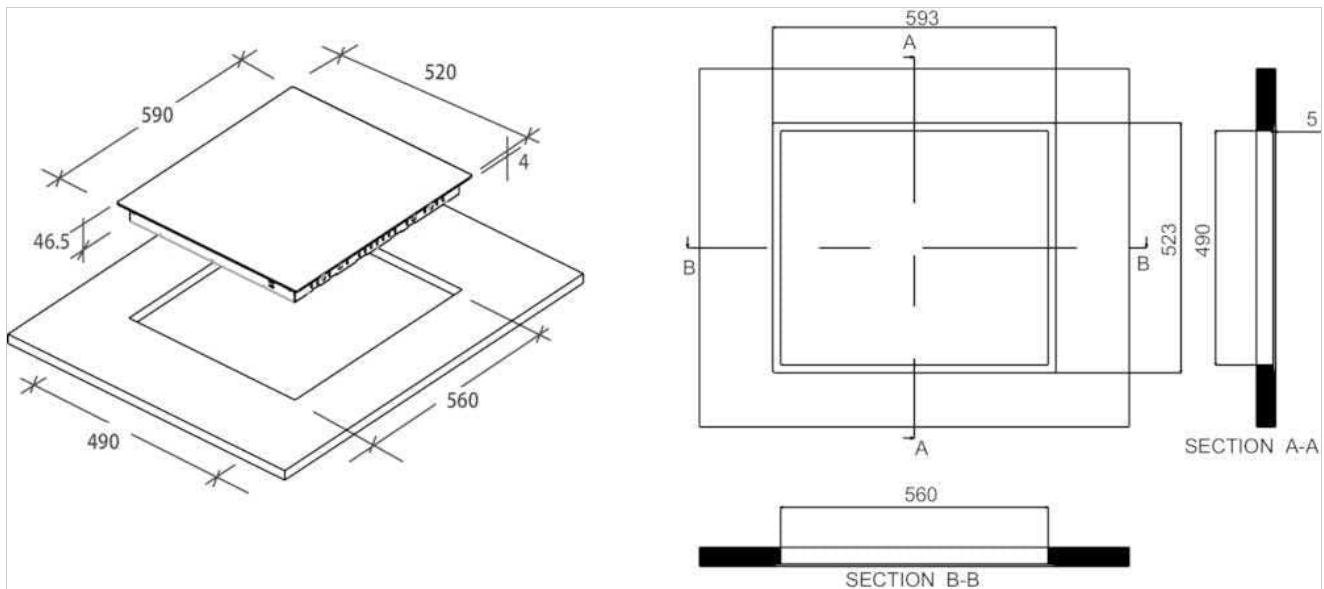


Figure 2: Technical drawing illustrating the dimensions and cutout requirements for installing the ROSIERES RH 64CT 2 Vitroceramic Hob. Dimensions are provided in millimeters.

SETUP AND INSTALLATION

The ROSIERES RH 64CT 2 is a built-in vitroceramic hob designed for integration into a kitchen countertop. Professional installation is highly recommended to ensure safety and proper functionality.

Pre-Installation Checks:

- Verify that the electrical supply in your home matches the hob's requirements (240 Volts, 6500 Watts).
- Ensure the countertop material is heat-resistant and suitable for hob installation.
- Confirm that there is adequate ventilation around the hob's installation area.

Installation Steps (Summary - Refer to Figure 2 for detailed dimensions):

1. Prepare the countertop cutout according to the dimensions provided in Figure 2. The typical cutout dimensions are approximately 560mm x 490mm.
2. Ensure sufficient clearance beneath the hob for ventilation and electrical connections.
3. Carefully lower the hob into the cutout, ensuring it sits flush with the countertop.
4. Connect the hob to the main electrical supply. This connection must be performed by a qualified electrician.
5. Secure the hob in place using the provided mounting clips or brackets.

After installation, perform a test run to ensure all cooking zones and controls are functioning correctly.

OPERATING INSTRUCTIONS

Familiarize yourself with the touch control panel for optimal use of your hob.

Turning On/Off:

- To turn on, press the main power button (usually indicated by a circle with a vertical line).
- To turn off, press the main power button again.

Selecting a Cooking Zone and Adjusting Power:

1. Place a suitable pot or pan on the desired cooking zone.

2. Touch the control for the specific cooking zone you wish to activate.
3. Use the '+' and '-' touch controls associated with that zone to select one of the 10 power levels. A higher number indicates higher heat.

Using the Timer:

- To set a cooking timer for a specific zone, select the zone and then press the timer button.
- Use the '+' and '-' buttons to adjust the desired cooking duration.
- The hob will automatically turn off the selected zone when the timer expires.

Child Safety Lock:

- To activate the child lock, press and hold the lock symbol button for a few seconds until an indicator light appears. This prevents accidental operation.
- To deactivate, press and hold the lock symbol button again until the indicator light turns off.

Residual Heat Indicator:

After a cooking zone is turned off, an 'H' (or similar symbol) will appear on the display if the zone is still hot. Do not touch the surface while this indicator is active.

MAINTENANCE AND CLEANING

Regular cleaning and maintenance will keep your hob in excellent condition.

Daily Cleaning:

- Ensure the hob is cool before cleaning.
- Wipe the ceramic glass surface with a soft cloth and a mild detergent or a specialized ceramic hob cleaner.
- Rinse with a damp cloth and dry thoroughly to prevent water marks.

Removing Stubborn Stains:

- For burnt-on food or stubborn stains, use a ceramic hob scraper (razor blade scraper) held at a shallow angle.
- Apply a small amount of ceramic hob cleaner and gently scrape away the residue.
- Wipe clean with a damp cloth and dry.

Important Notes:

- Do not use abrasive sponges, scouring pads, or harsh chemical cleaners, as they can scratch or damage the ceramic surface.
- Avoid spilling sugary substances on the hot hob, as they can melt and cause permanent damage. If this occurs, scrape off immediately while still hot (with extreme caution).

TROUBLESHOOTING

Before contacting customer service, please refer to the following common issues and their potential solutions:

Problem	Possible Cause	Solution
Hob does not turn on.	No power supply; child lock activated.	Check circuit breaker/fuse. Deactivate child lock by pressing and holding the lock button.
Cooking zone not heating.	Incorrect cookware; zone not selected; power level too low.	Ensure cookware is suitable and flat-bottomed. Select the correct zone and increase power level.
Hob beeps continuously.	Controls are wet or an object is on the control panel.	Wipe the control panel dry. Remove any objects from the control area.
Hob turns off unexpectedly.	Overheating protection activated; anti-overflow safety activated.	Allow the hob to cool down. Clean any spills from the control panel.

If the problem persists after attempting these solutions, please contact a qualified service technician or Rosieres customer support.

SPECIFICATIONS

Feature	Detail
Brand	Rosieres
Model Number	RH64CT2
Installation Type	Built-in (Autonome)
Number of Cooking Zones	4
Control Type	Touch Control
Power Levels	10
Total Power	6500 Watts
Voltage	240 Volts
Material	Ceramic Glass
Color	Black
Special Features	Timer, Child Safety Lock, Anti-Overflow, Residual Heat Indicator
Weight	9 Kilograms
Components Included	Cooktop unit only

WARRANTY AND SUPPORT

For warranty information and customer support, please refer to the documentation provided with your purchase or contact Rosieres customer service directly. Information regarding spare parts availability is currently unavailable. It is recommended to keep your proof of purchase for any warranty claims.

