

[Manuals.plus](#) /

> [Hinkley](#) /

> Hinkley Collier 54-inch Indoor Smart Ceiling Fan User Manual

Hinkley Collier 54 LED Smart Fan (903254FPW-LID)

Hinkley Collier 54-inch Indoor Smart Ceiling Fan User Manual

Model: Collier 54" LED Smart Fan (903254FPW-LID)

Brand: Hinkley

1. INTRODUCTION

This manual provides detailed instructions for the safe installation, operation, and maintenance of your Hinkley Collier 54-inch Indoor Smart Ceiling Fan. Please read all instructions carefully before beginning installation and retain this manual for future reference.



Image 1.1: Hinkley Collier 54-inch Smart Ceiling Fan in Pewter finish, featuring four reversible wooden blades and an integrated LED light, installed in a bedroom.

2. SAFETY INFORMATION

To reduce the risk of electrical shock, fire, or personal injury, always follow these basic safety precautions:

- Ensure the power is turned off at the circuit breaker or fuse box before installation or servicing.
- All electrical connections must be in accordance with local codes, ordinances, and the National

Electric Code. If you are unfamiliar with electrical wiring, consult a qualified electrician.

- The fan must be mounted to a structurally sound ceiling outlet box capable of supporting a minimum of 35 lbs (15.9 kg).
- Do not bend the blade holders during installation, balancing, or cleaning.
- Keep hands, tools, and other objects clear of the fan blades when the fan is operating.
- This fan is designed for indoor use only.

3. PACKAGE CONTENTS

Verify that all components listed below are included in your package:

- Ceiling Fan Motor Housing
- Fan Blades (4)
- Down Rod (1) 6-inch
- Mounting Bracket
- Canopy
- Integrated LED Light Kit
- HIRO Remote Control
- Installation Instructions



Image 3.1: Visual representation of the included accessories and key features such as the integrated LED, HIRO control, reversible blades, and downrod.

4. FEATURES

The Hinkley Collier Smart Ceiling Fan offers a blend of style and functionality:

- **Retro Touches, Reversible Blades:** Pewter-finished cast knobs, hinges, and stems complement the two-sided wood blades (Matte Black / Birch) that extend from above the etched opal glass light kit.
- **HIRO Smart Fan Controls Included:** Control fan speed, lighting, and power via the HIRO remote or the free downloadable app. HIRO integrates with smart home assistants like Google Home and Alexa.
- **Energy-Efficient Integrated LED:** Features an integrated LED light source behind a classic Etched Opal glass lens.
- **6-Speed Reversing DC Motor:** A quiet, energy-efficient motor with multiple speeds and reverse function, allowing quick changes between summer (forward, downward airflow) and winter (reverse, upward airflow) modes.

INCLUDED ACCESSORIES



INTEGRATED LED



**6-SPEED
REVERSING WALL CONTROL**



REVERSIBLE FAN BLADES



DOWNROD INCLUDED



NO LIGHTCAP



MAXIMUM CEILING SLOPE

HINKLEY

Image 4.1: Detailed view of the fan's central housing and blade connection points.



ENERGY EFFICIENT
DC MOTOR

ECO-FRIENDLY

Uses up to 70% less energy
than an AC Motor.



RUNS QUIET

DC Motors run cool and
quiet for longer life.

HINKLEY

Image 4.2: Benefits of the energy-efficient DC motor, emphasizing its eco-friendliness and quiet operation.



LED INTEGRATED

**ECO-FRIENDLY &
ENERGY EFFICIENT**



**LOW MAINTENANCE &
LONG LIFESPAN**

HINKLEY

Image 4.3: Advantages of the integrated LED lighting, including energy efficiency and extended lifespan.

5. SETUP & INSTALLATION

Installation of the Hinkley Collier ceiling fan requires basic electrical knowledge. Refer to the included detailed installation instructions for step-by-step guidance. Ensure all power is disconnected before proceeding.

5.1 Dimensions

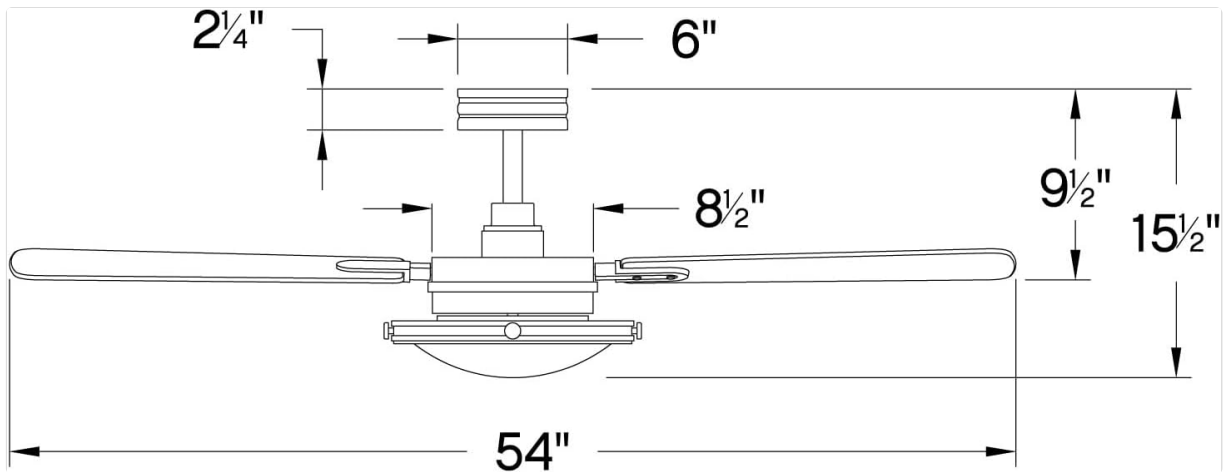


Image 5.1: Dimensional drawing of the ceiling fan, providing measurements for planning installation space.

5.2 General Installation Overview

The installation process typically involves mounting the bracket to the ceiling, assembling the fan motor and blades, wiring the electrical connections, and attaching the light kit. Always ensure secure connections and proper grounding.

Your browser does not support the video tag.

Video 5.2: A general overview video demonstrating the features and design of Hinkley fans, which may include aspects relevant to installation and operation.

6. OPERATING INSTRUCTIONS

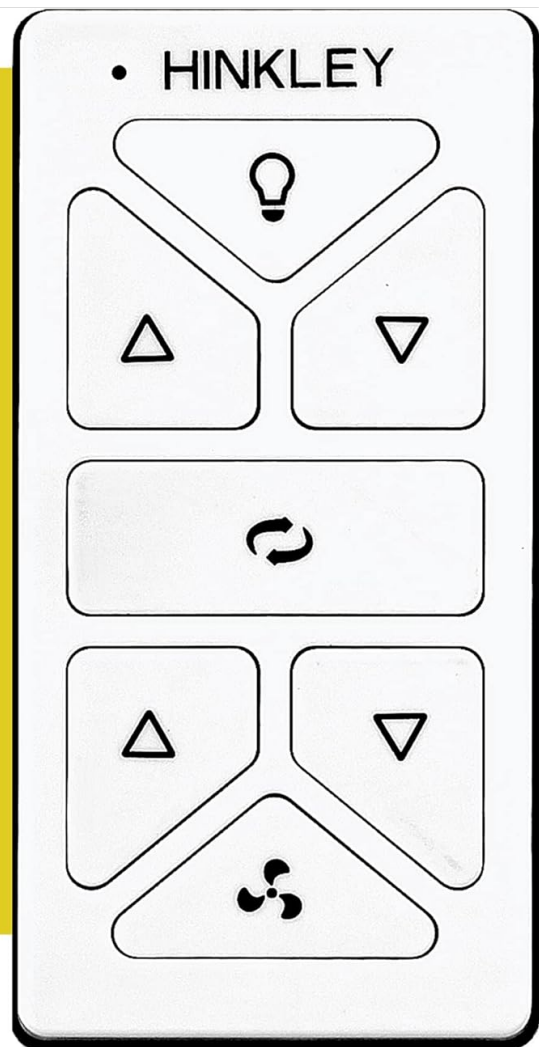
Your Hinkley Collier Smart Ceiling Fan can be operated using the included HIRO remote control, a downloadable app, or integrated smart home assistants.

6.1 HIRO Remote Control

The HIRO remote allows you to control fan speed, light on/off, light dimming, and fan direction (forward/reverse).

6-SPEED DC MOTOR FANS

- HIRO all-in-one receiver supplied with fan where fan reverses at the control
- Wall/Remote Control included
- Controller is WiFi compatible



980014 FWH-R

Image 6.1: The HIRO remote control, showing buttons for fan and light functions.

HIRO CONFIGURATIONS AND VERSATILITY

In a collective and collaborative world, the expertly engineered HIRO system adapts to all home environments.

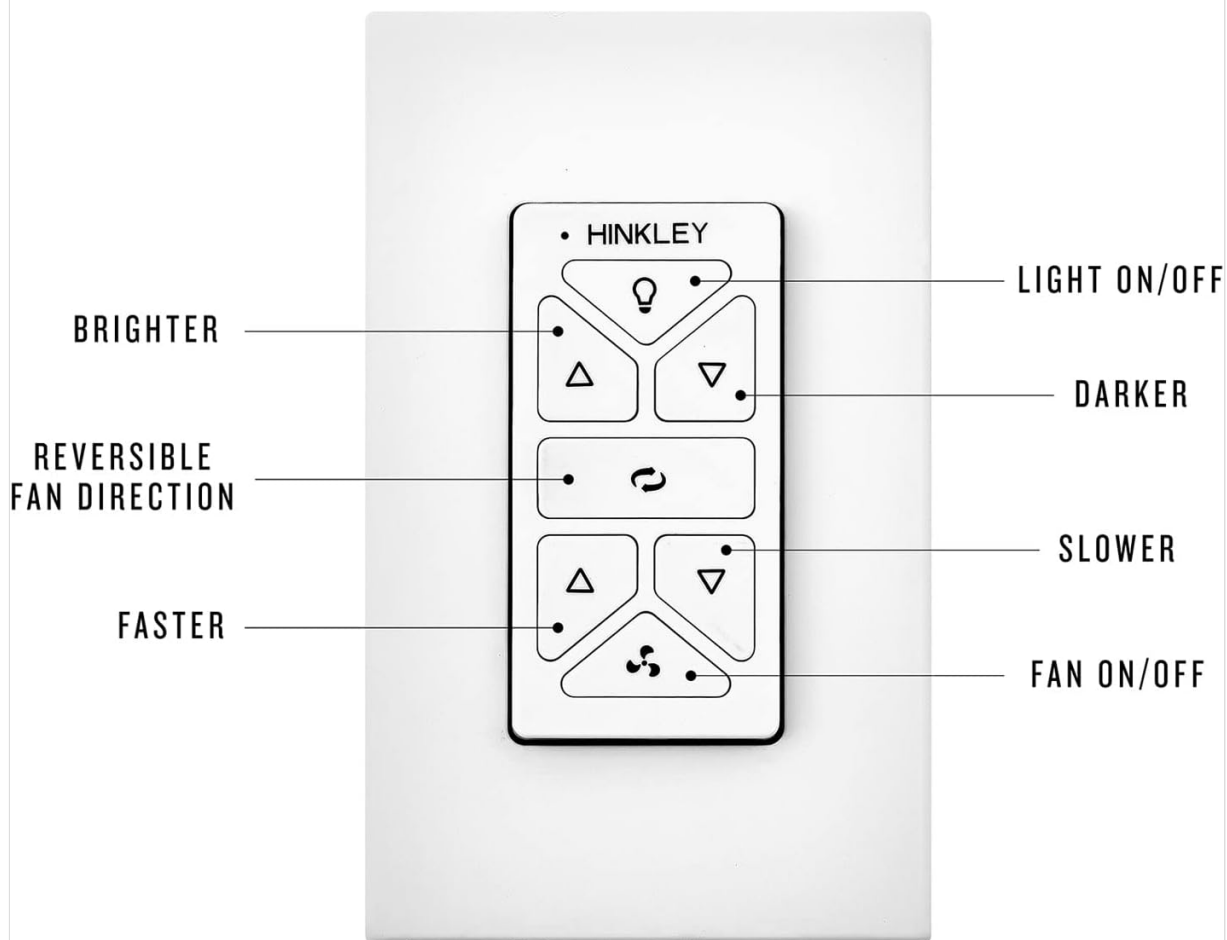


Image 6.2: Detailed diagram of the HIRO remote control buttons and their corresponding functions.

6.2 Smart Home Integration

The HIRO system is compatible with popular smart home assistants such as Google Home, Amazon Alexa, and Siri. Follow the instructions provided with the HIRO app to connect your fan to your preferred smart home ecosystem for voice control and advanced scheduling.

7. MAINTENANCE

Regular maintenance ensures optimal performance and longevity of your ceiling fan.

- **Cleaning:** Use a soft, damp cloth to clean the fan. Do not use abrasive cleaners or solvents that may damage the finish or blades.
- **Blade Care:** Periodically check the blade screws for tightness. Loose blades can cause wobbling and noise.
- **Light Kit:** The integrated LED light source is designed for long life and does not require bulb replacement. If the light malfunctions, contact customer support.

8. TROUBLESHOOTING

If you experience issues with your fan, refer to the following common problems and solutions:

Problem	Possible Cause	Solution
Fan does not start	No power to the fan; Loose wiring; Remote control battery low.	Check circuit breaker/fuse; Verify all wire connections; Replace remote battery.
Fan wobbles	Loose blade screws; Unbalanced blades; Loose mounting bracket.	Tighten all blade screws; Use a balancing kit (not included); Ensure mounting bracket is secure.
Light does not work	No power to the light; Loose wire connection in light kit.	Check power supply; Verify light kit wiring.
Remote control not working	Low battery; Remote not paired with fan.	Replace battery; Refer to remote pairing instructions in the full manual.

9. SPECIFICATIONS

Specification	Detail
Brand	Hinkley
Model Name	Collier 54" LED Smart Fan
Model Number	903254FPW-LID
Color	Pewter
Product Dimensions	54"D x 54"W x 15.5"H
Item Weight	18 Pounds
Electric Fan Design	Ceiling Fan
Power Source	Corded Electric
Room Type	Bedroom, Dining Room, Kitchen, Living Room
Special Feature	Dimmable, Hardwired, Integrated
Mounting Type	Ceiling Mount
Controller Type	Amazon Alexa, Google Assistant, Siri
Number of Speeds	6
Wattage	24 watts
Number of Blades	4
Air Flow Capacity	3617 Cubic Feet Per Minute
Voltage	120 Volts
Indoor Outdoor Usage	Indoor
Control Method	App, Remote, Voice
Light Type	LED

Specification	Detail
Material	Alloy Steel
Blade Material	Wood
Specification Met	UL
UPC	640665019216

10. WARRANTY & SUPPORT

This Hinkley Collier 54-inch Indoor Smart Ceiling Fan is covered by a **1-year manufacturer's warranty**. For warranty claims, technical support, or replacement parts, please contact Hinkley customer service directly. Refer to the contact information provided in the original product packaging or on the official Hinkley website.