



Manuals.plus /

- › Metabo /
- › Metabo FSB 36-18 LTX BL 40 Cordless Brush Cutter Instruction Manual

Metabo 601611850

Metabo FSB 36-18 LTX BL 40 Cordless Brush Cutter Instruction Manual

Model: 601611850

INTRODUCTION

This instruction manual provides essential information for the safe and efficient operation, setup, and maintenance of your Metabo FSB 36-18 LTX BL 40 Cordless Brush Cutter. Please read this manual thoroughly before using the tool and keep it for future reference.

IMPORTANT SAFETY INSTRUCTIONS

Always prioritize safety when operating power tools. Failure to follow these instructions may result in serious injury.

- Always wear appropriate safety gear, including eye protection, hearing protection, and gloves, when operating this tool.
- Be aware of flying debris when using the grass cutting attachment and keep bystanders at a safe distance.
- When using the brushwood cutting attachment, be cautious of cut hazards and keep hands and feet away from the cutting area.
- Ensure the work area is clear of obstacles and hazards before starting.
- Always follow the instructions provided in this user manual for safe operation.

PACKAGE CONTENTS

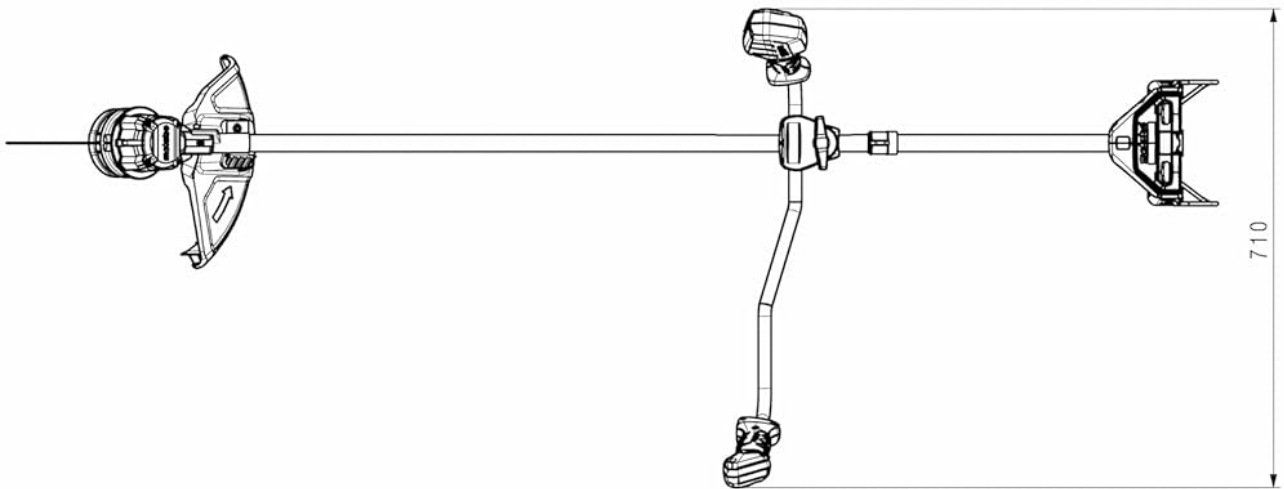
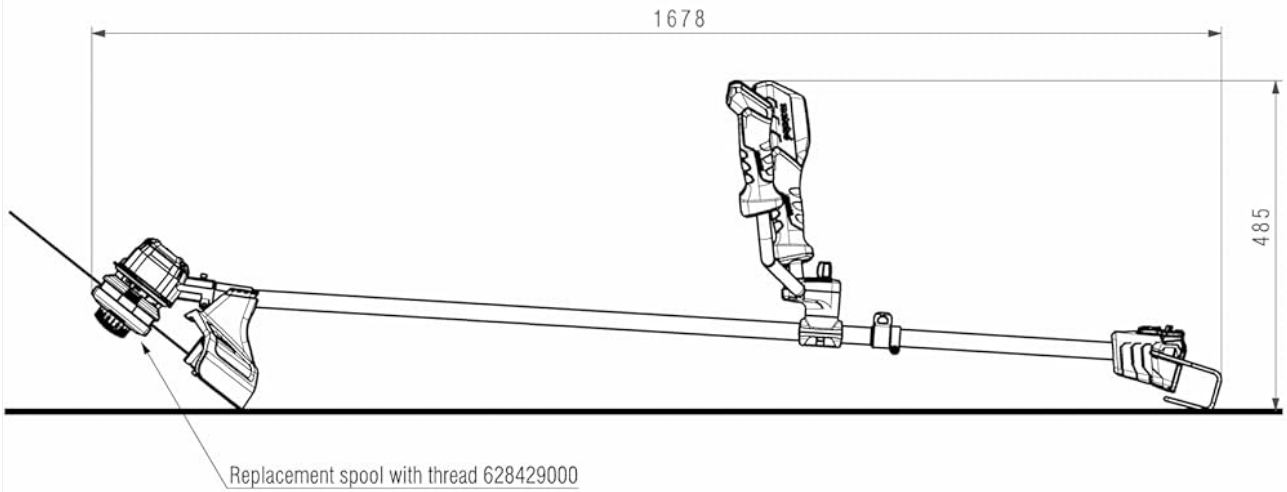
Verify that all items are present in your package:

- Bike handle
- Back carry strap
- Guard
- Twin line spool (line Ø 2 mm, 4 m)
- Brush cutter with 3 blades

- Adapter for blades
- Combo-spanner
- Locking pin
- *Note: Battery pack and charger are not included.*

SETUP AND ASSEMBLY

1. Product Overview and Dimensions



metabo[®]

Refer to the diagram above for an overview of the brush cutter components and general dimensions. The diagram illustrates the overall structure and key parts of the tool, including the bike handle and cutting head.

2. Attaching the Bike Handle

Attach the bike handle to the shaft as shown in the assembly instructions provided with the product. Ensure it is securely fastened for safe operation and comfortable grip.



The handle features rubberized grip areas for enhanced control and comfort during use. The safety switch is integrated into the handle for immediate power control.

3. Installing the Guard and Cutting Attachment

Install the guard over the cutting head to protect against debris. Depending on your task, attach either the twin line spool for grass cutting or the 3-blade brush cutter for denser brushwood. Use the provided adapter for blades if necessary. Ensure all components are tightened securely.

4. Battery Installation

This brush cutter operates on a powerful 36 Volt system using two 18 Volt Metabo battery packs. Insert two charged 18V battery packs into the designated slots on the tool. Ensure they click into place firmly. The robust metal gear housing and additional hoop guard protect the battery pack during use.

5. Adjusting the Shoulder Strap



Attach and adjust the back carry strap to achieve a healthy and balanced working position. The strap helps distribute the tool's weight, reducing fatigue during extended use.

OPERATING INSTRUCTIONS

1. Starting the Brush Cutter

Ensure all safety precautions are observed. Press the safety switch and then the trigger to start the motor. The powerful brushless motor provides high cutting performance and fast work initiation.

2. Speed Control

The brush cutter features stepless speed control, allowing you to adjust the cutting speed according to the task and material density. This provides flexible working conditions.

3. Using the Twin Line Spool for Grass



For cutting grass, use the twin line spool. To readjust the line length during operation, gently tap the spool head against the ground. This mechanism extends the line without interrupting your work.



The image shows the cutting head effectively trimming grass, demonstrating its precision and power for detailed work.

4. Using Blades for Brushwood



For denser vegetation and brushwood, attach the 3-blade brush cutter. This provides robust cutting capability for more demanding tasks. Always ensure the blade adapter is correctly installed.



The brush cutter is designed for versatile use in various outdoor environments, from clearing edges to managing larger areas of vegetation.

MAINTENANCE

1. Metabo Quick Thread Change



The Metabo quick thread change system allows for fast and tool-free replacement of the line spool. You can change the thread without removing or opening the spool, simplifying maintenance.

2. General Cleaning

After each use, clean the brush cutter, especially the cutting head and guard, to remove grass clippings, dirt, and debris. Ensure the tool is disconnected from the battery packs before cleaning. Use a damp cloth; do not use harsh chemicals or abrasive materials.

TROUBLESHOOTING

If you encounter issues with your Metabo FSB 36-18 LTX BL 40, consider the following:

- **Tool not starting:** Ensure battery packs are fully charged and correctly inserted. Check that the safety switch and trigger are engaged properly.
- **Reduced cutting performance:** The cutting line may be too short or worn, or the blades may be dull. Replace the line or sharpen/replace blades as needed.
- **Excessive vibration:** Check for damaged or unbalanced cutting attachments. Ensure all components are securely fastened.

For persistent problems, please contact Metabo customer support or an authorized service center.

SPECIFICATIONS

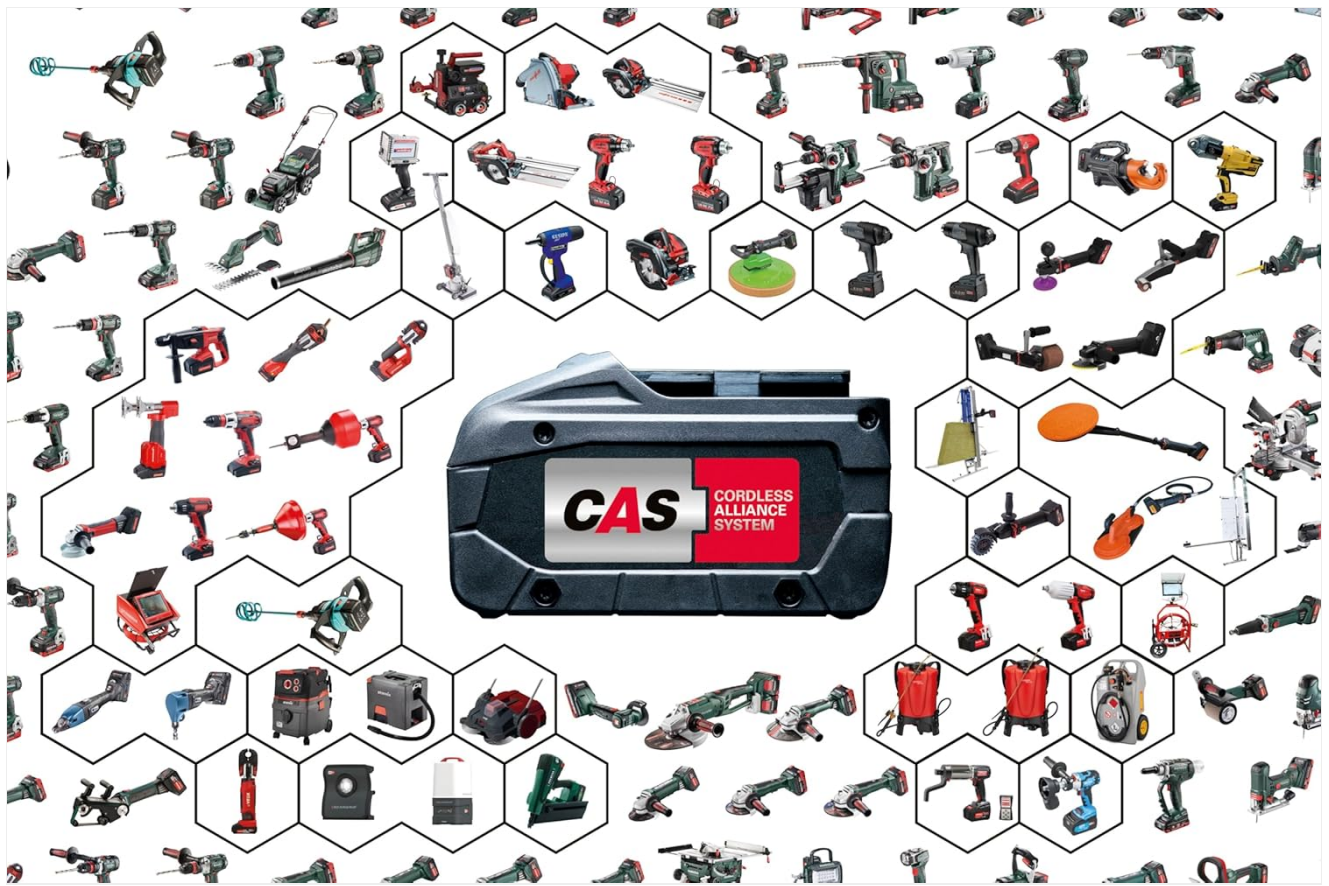
Feature	Specification
Brand	Metabo
Model Number	601611850
Power Source	Battery Powered (18V x 2 for 36V operation)
Cutting Diameter	40 cm (15.7 inches)
No-load Speed	0 - 6000 rpm
Thread Diameter	2 mm
Handle Type	Bike handle
Weight (without battery pack)	3.9 kg (8.6 lbs)
Weight (with battery pack)	4.8 kg (10.6 lbs)
Item Dimensions (L x W)	66.14"L x 28.35"W
Required Assembly	No (refers to main unit, assembly of handle/guard is required)

WARRANTY INFORMATION

For detailed information regarding the warranty coverage for your Metabo FSB 36-18 LTX BL 40 Cordless Brush Cutter, please refer to the official warranty documentation provided with your purchase or visit the official Metabo website. Warranty terms and conditions may vary by region.

SUPPORT AND COMPATIBILITY

1. Cordless Alliance System (CAS) Compatibility



This tool is 100% compatible with the 18 Volt class of the Cordless Alliance System (CAS). This means you can combine it with all 18V battery packs and chargers from CAS brands. For more information on compatible products, visit www.cordless-alliance-system.com.

2. Customer Support

Should you require further assistance, technical support, or spare parts, please contact Metabo customer service. Contact details can typically be found on the official Metabo website or in your product documentation.