

[Manuals.plus](#) /

> [Sauder](#) /

> Sauder North Avenue L-Shaped Desk (Model 425077) Instruction Manual

Sauder 425077

Sauder North Avenue L-Shaped Desk

MODEL: 425077 | BRAND: SAUDER

[Introduction](#) [Safety](#) [Contents](#) [Setup](#) [Usage](#) [Maintenance](#) [Troubleshooting](#) [Specifications](#)
[Warranty](#) [Support](#)

1. Introduction

This manual provides detailed instructions for the assembly, operation, and maintenance of your Sauder North Avenue L-Shaped Desk, Model 425077. This desk features a spacious L-shaped design with open storage and fixed shelving, constructed with engineered wood and a durable black metal frame, finished in Smoked Oak. Please read all instructions carefully before beginning assembly and retain this manual for future reference.



Image 1.1: The Sauder North Avenue L-Shaped Desk, Smoked Oak Finish.

2. Safety Information

- Always assemble the desk on a soft, clean surface to prevent scratches.
- Ensure all hardware is securely tightened before use. Periodically check and re-tighten as necessary.
- Do not overload the desk or shelves. Refer to the specifications for maximum weight recommendations.
- Keep small parts and hardware away from children and pets to prevent choking hazards.
- Use caution when moving the assembled desk to avoid injury or damage.

3. Package Contents

Verify that all components and hardware are present before beginning assembly. If any parts are missing or damaged, please contact Sauder customer support.

- Engineered Wood Desk Panels (Smoked Oak finish)
- Black Metal Frame Components
- Assembly Hardware (T-bolts, screws, etc.)
- Assembly Tools (Allen key)
- Instruction Manual

4. Setup and Assembly

Assembly of the Sauder North Avenue L-Shaped Desk is designed to be straightforward, typically requiring one person. All necessary tools, including an Allen key, are provided. Follow the numbered and lettered instructions included with your hardware package for precise assembly.

1. **Unpack Components:** Carefully remove all parts from the packaging. Lay them out on a soft, clean surface to prevent damage.
2. **Identify Parts:** Match each component to the corresponding number or letter in the assembly instructions.
3. **Assemble Frame:** Begin by connecting the black metal frame components using the provided T-bolts and screws. Most connections utilize T-bolts, which do not require additional tools.
4. **Attach Desk Panels:** Secure the engineered wood desk panels to the assembled metal frame. Ensure all holes are aligned with the threaded inserts for a secure fit.
5. **Install Shelving:** Attach the fixed shelving units to the designated areas of the desk frame.
6. **Final Tightening:** Once all components are in place, carefully tighten all hardware to ensure stability. Do not overtighten.

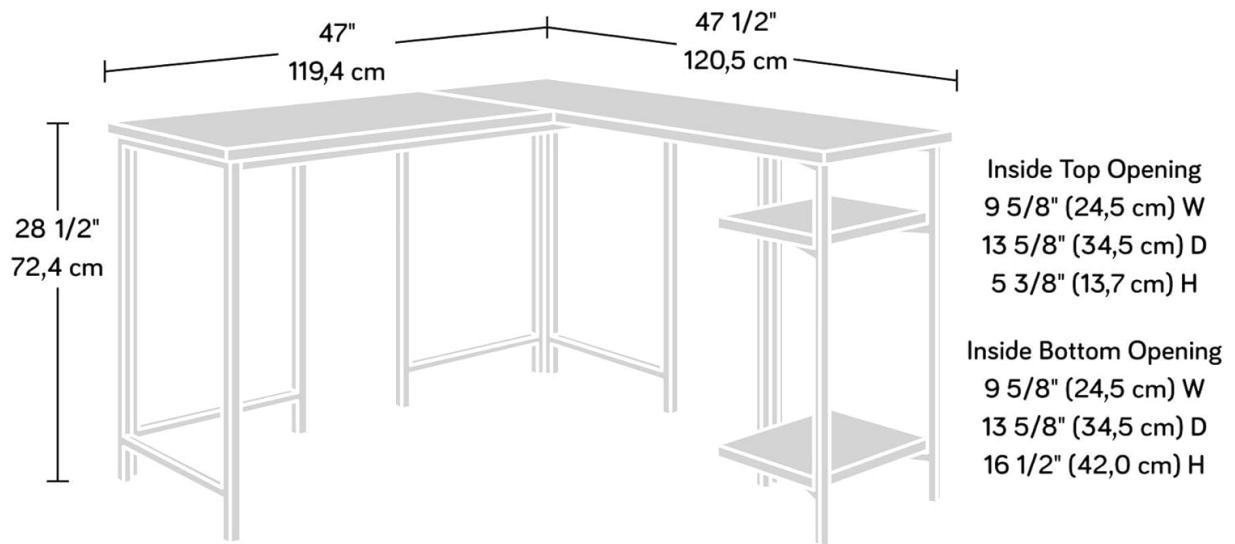


Image 4.1: Desk Dimensions for planning your space.



Image 4.2: Detail of the sturdy metal frame connection.

Product Overview Video

Your browser does not support the video tag.

Video 4.1: A brief 9-second overview showcasing the Sauder North Avenue L-Shaped Desk from various angles, highlighting its design and features.

5. Operating and Usage

The Sauder North Avenue L-Shaped Desk is designed for versatile use in home office environments. Its L-shape provides an expansive work surface and efficient corner placement.

- **Work Surface:** The large desktop accommodates laptops, monitors, notepads, and other office essentials.
- **Open Storage:** Utilize the fixed shelving for organizing items such as storage bins, work binders, a CPU, or a router.
- **Versatile Placement:** The desk is finished on all sides, allowing for flexible placement within your room without compromising aesthetics.
- **Optional Wireless Charging:** This desk is compatible with the optional Hidden Wireless Qi Charger by Egtronics 425905 (sold separately), allowing for integrated smartphone charging.



Image 5.1: Detail of the open storage shelves, ideal for organization.

6. Maintenance

To ensure the longevity and appearance of your Sauder North Avenue L-Shaped Desk, follow these maintenance guidelines:

- **Cleaning:** Wipe surfaces with a soft, damp cloth. Avoid harsh chemicals or abrasive cleaners, which can damage the finish.
- **Spills:** Clean up spills immediately to prevent staining or damage to the engineered wood.
- **Heat and Moisture:** Protect the desk from direct heat sources and excessive moisture. Use coasters under beverages.
- **Hardware Check:** Periodically inspect all assembly hardware and tighten any loose connections to maintain stability.

7. Troubleshooting

- **Desk Wobbles:** Ensure all assembly hardware is fully tightened. Check that the desk is placed on a level surface.
- **Difficulty Assembling:** Re-check the numbered and lettered instructions. Ensure all parts are correctly oriented before tightening. Do not force components together.
- **Incompatibility with Clamp-On Accessories:** Due to the design of the metal frame and leg rails, this desk may not accommodate clamp-on accessories such as monitor arms, under-desk cable trays, or shelves that require clamping to the back edge. Consider freestanding or alternative mounting solutions.

8. Specifications

Feature	Detail
Brand	Sauder
Model Number	425077
Model Name	North Avenue
Shape	L-Shape
Color	Smoked Oak
Product Dimensions (D x W x H)	47.44"D x 47.01"W x 28.5"H
Material Type	Engineered Wood, Metal
Base Material	Black Metal
Number Of Shelves	2
Maximum Weight Recommendation	50 Pounds
Required Assembly	Yes
Recommended Number of People for Assembly	1
Includes All Assembly Tools	Yes

9. Warranty Information

Your Sauder North Avenue L-Shaped Desk is covered by a **5-year limited warranty**. This warranty covers parts and manufacturing defects. Please retain your proof of purchase for warranty claims. For detailed warranty terms and conditions, refer to the official Sauder website or contact customer support.

10. Customer Support

For assistance with assembly, missing parts, or any other inquiries regarding your Sauder product, please utilize the following support resources:

- **Online Support:** Visit sauder.com/service for live chat, assembly tip videos, and to order replacement parts.
- **Phone Support:** Contact our domestic call center at **800-523-3987**.



LIVE CHAT

ON-DEMAND SUPPORT



ASSEMBLY TIP VIDEOS

HELPFUL INSIGHT



REPLACEMENT PARTS

QUICK SHIP

Image 10.1: Sauder offers comprehensive support including live chat and assembly videos.