

[Manuals.plus](#) /

> [JOYTUTUS](#) /

> JOYTUTUS Panoramic Rear View Mirror (Model AEA1909-00201-1) Instruction Manual

JOYTUTUS AEA1909-00201-1

JOYTUTUS Panoramic Rear View Mirror Instruction Manual

Model: AEA1909-00201-1

1. PRODUCT OVERVIEW

The JOYTUTUS Panoramic Rear View Mirror is designed to enhance driving visibility by providing a wider field of view compared to standard mirrors. Its convex design helps to reduce blind spots, offering a more comprehensive perspective of the area behind and to the sides of your vehicle. This mirror is also useful for monitoring occupants in the rear seats, such as children.

Original Car Mirror



Wide Rearview Mirror



Image 1.1: Comparison of standard and panoramic rear view mirror visibility.

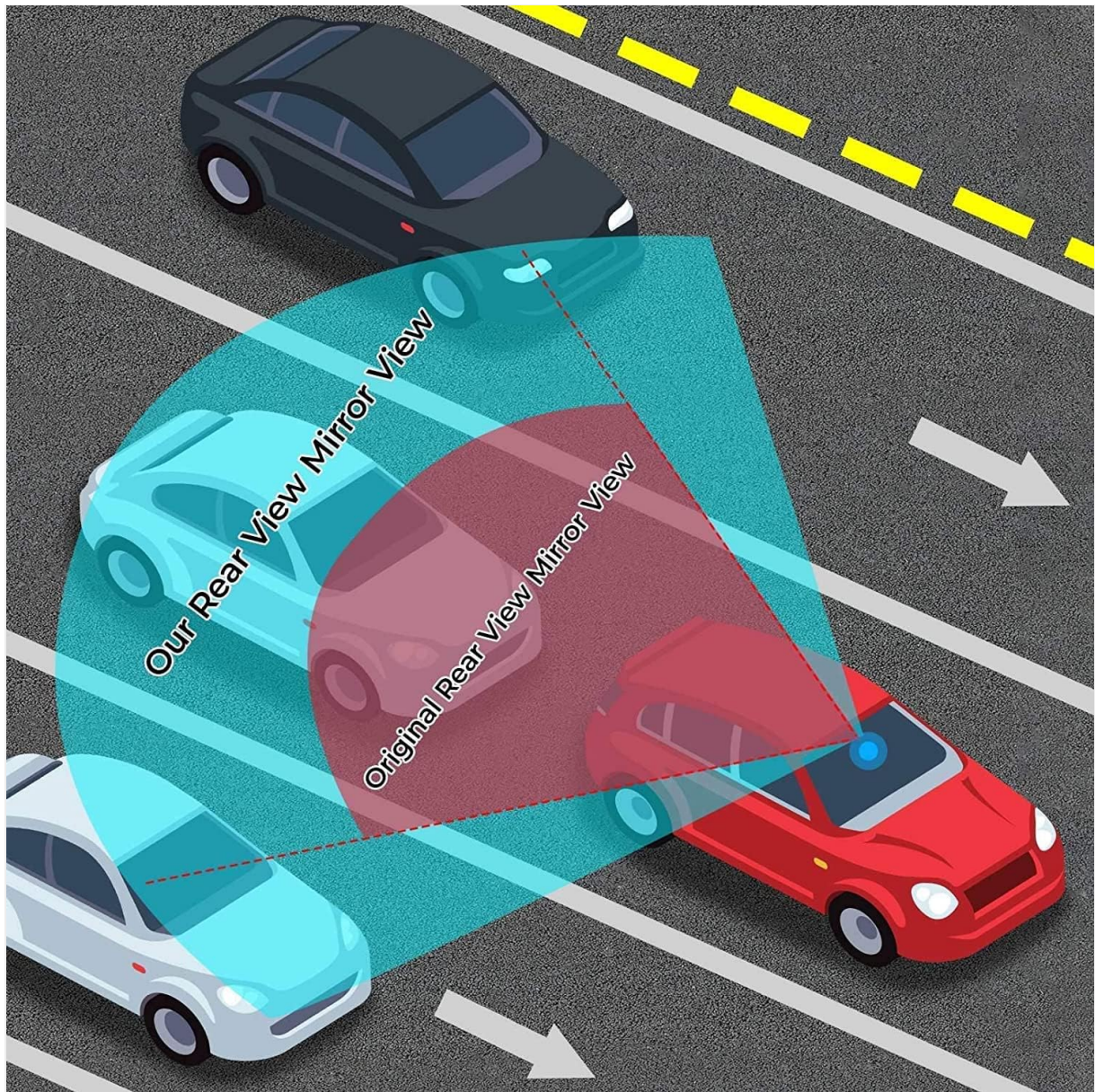


Image 1.2: Visual representation of blind spot reduction provided by the panoramic mirror.



Image 1.3: The mirror provides an expanded view, including rear seat occupants.

2. INSTALLATION GUIDE

This panoramic rear view mirror features a universal clip-on design for easy installation over your existing vehicle mirror. Ensure your original car mirror is relatively flat for optimal fit.

Installation Steps:

1. **Prepare the Mirror:** Hold the panoramic mirror with the clips facing the back of your original mirror.
2. **Attach the Buckle:** Gently attach the adjustable buckle on the back of the panoramic mirror to the rear edge of your original mirror.
3. **Secure the Clips:** Pull down the lower clips and adjust them to conform securely to the bottom edge of your original mirror. Ensure a snug fit without applying excessive force to the mirror surface.
4. **Adjust Angle:** Once secured, adjust the angle of the panoramic mirror to achieve your desired rear view.



Attach the adjustable buckle to the rear edge of the rear mirror



Pull down the clip and adjust it to conform to your car



Adjust the rearview mirror to appropriate position



Finish installation

Image 2.1: Step-by-step visual guide for mirror installation.

3. OPERATING INSTRUCTIONS

After installation, the mirror operates passively, providing an expanded view. The convex nature of the mirror means objects may appear further away than they actually are. Familiarize yourself with this perspective to accurately judge distances while driving and reversing.

Adjusting the View:

- Periodically check and adjust the mirror's angle to ensure optimal visibility of the rear and side areas, as well as any passengers in the back seat.
- Ensure the mirror is stable and does not vibrate excessively during vehicle operation.

4. CARE AND MAINTENANCE

To maintain the clarity and longevity of your panoramic rear view mirror, follow these care instructions:

- **Cleaning:** Use a soft, lint-free cloth and a glass cleaner specifically designed for automotive mirrors. Spray the cleaner onto the cloth, not directly onto the mirror, to avoid liquid seeping into the edges.
- **Avoid Abrasives:** Do not use abrasive cleaners, pads, or harsh chemicals, as these can scratch the mirror

surface or damage the frame.

- **Inspection:** Periodically inspect the clips for secure attachment. If the mirror becomes loose, re-adjust the clips to ensure it remains firmly in place.

5. TROUBLESHOOTING

If you encounter issues with your JOYTUTUS Panoramic Rear View Mirror, consider the following:

- **Distorted Distance Perception:** Due to the convex nature of the mirror, objects may appear smaller and further away. This is a characteristic of wide-angle mirrors designed to expand the field of view. Allow time to adjust to this perception. Always use caution and cross-reference with side mirrors and direct observation when changing lanes or reversing.
- **Mirror Vibrates:** Ensure the adjustable clips are firmly secured to your original mirror. Re-adjust the clips to achieve a tighter fit. Check if the original mirror itself is stable.
- **Unclear Vision:** Clean the mirror surface as described in the Care and Maintenance section. Ensure there are no obstructions on your vehicle's rear window.
- **Mirror Does Not Fit:** This mirror is designed for universal fit on most car, SUV, and truck mirrors. However, it is best suited for original mirrors that are relatively flat. If your original mirror has a highly irregular shape or significant curvature, the fit may not be optimal.

6. PRODUCT SPECIFICATIONS

Brand	JOYTUTUS
Model Number	AEA1909-00201-1
Auto Part Position	Rear
Material	Glass
Vehicle Service Type	Car, SUV, Truck
Color	Clear
Mounting Type	Rear View Mirror Mount (Clip-on)
Included Components	Adjustable Clip
Special Feature	Convex, Wide Angle
Fit Type	Universal Fit
Lens Curvature	Convex
Operation Mode	Manual
Shape	Rectangular

Product Size

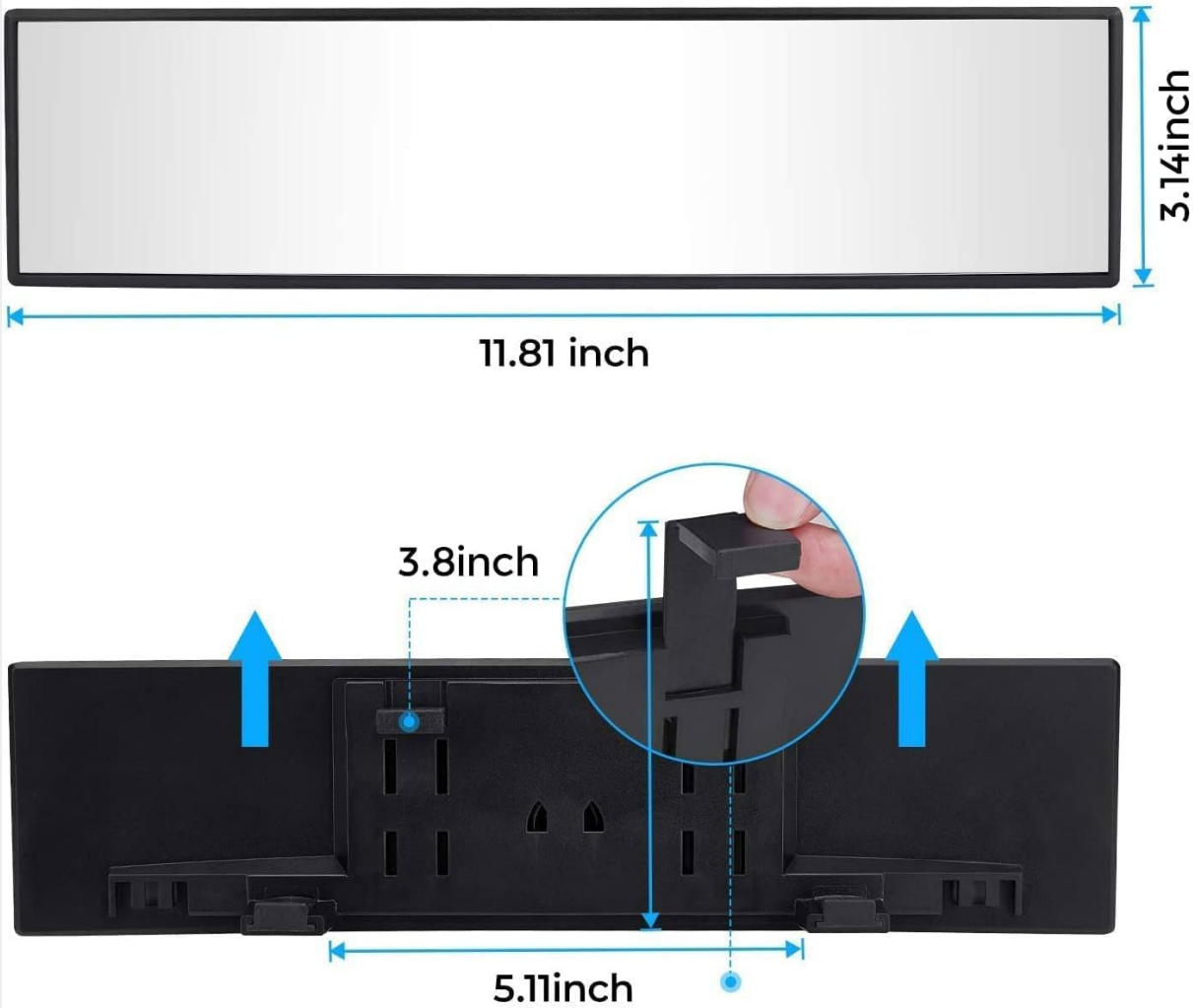


Image 6.1: Product dimensions and clip mechanism.



Image 6.2: Front and rear view of the mirror, showing the clips.

7. WARRANTY AND SUPPORT

This product is covered by a standard manufacturer's warranty. For specific warranty details, returns, or technical support, please refer to the purchase documentation or contact JOYTUTUS customer service through the retailer where the product was purchased. Keep your proof of purchase for any warranty claims.