

Manuals+

[Q & A](#) | [Deep Search](#) | [Upload](#)

manuals.plus /

> [Q Power](#) /

> [Q Power Quad 8-inch Underseat Subwoofer Enclosure Instruction Manual \(QBGMC07408\)](#)

Q Power QBGMC07408

Q Power Quad 8-inch Underseat Subwoofer Enclosure Instruction Manual

Model: QBGMC07408

1. INTRODUCTION

This manual provides essential information for the proper installation, operation, and maintenance of your Q Power Quad 8-inch Underseat Subwoofer Enclosure (Model: QBGMC07408). This enclosure is specifically designed to fit 2007-2025 Chevy Silverado Crew Cab and GMC Sierra Crew Cab trucks, providing a dedicated space for four 8-inch subwoofers to enhance your vehicle's audio system.

Please read these instructions thoroughly before proceeding with installation or use to ensure optimal performance and safety.

2. PRODUCT FEATURES

- **Compatibility:** Custom-designed for 2007-2025 Chevy Silverado Crew Cab and GMC Sierra Crew Cab trucks.
- **Subwoofer Capacity:** Accommodates four 8-inch subwoofer speakers.
- **Design:** Underseat, down-firing, and ported design for enhanced bass response and audio projection.
- **Material:** Constructed from rugged bed liner material for durability and protection.
- **Tuning Frequency:** Optimized for a tuning frequency of 35 Hz.
- **Air Space:** Features 0.8 cubic feet of air space.
- **Mounting Depth:** Provides an 11.25-inch mounting depth for subwoofers.

3. SETUP AND INSTALLATION

Proper installation is crucial for the performance and longevity of your subwoofer enclosure. It is highly recommended that installation be performed by a qualified car audio professional.

1. **Vehicle Preparation:** Ensure the vehicle's battery is disconnected before beginning any electrical work. Clear the underseat area of any obstructions.
2. **Subwoofer Installation:** Carefully mount your four 8-inch subwoofers into the designated openings on the enclosure. Ensure a secure fit and proper sealing to prevent air leaks.
3. **Wiring:** Connect the subwoofers to your amplifier according to the amplifier's instructions and the enclosure's wiring terminals. Pay close attention to polarity and impedance matching.
4. **Placement:** Position the enclosure under the rear seat of your Chevy Silverado or GMC Sierra Crew Cab. The down-firing

design directs sound towards the floor for optimal bass dispersion.

5. **Secure the Enclosure:** Ensure the enclosure is securely fastened to prevent movement during vehicle operation. Use appropriate mounting hardware (not included) to avoid shifting.
6. **Reconnect Power:** Once all connections are secure and the enclosure is in place, reconnect the vehicle's battery.

Important: Subwoofers are not included with this enclosure and must be purchased separately.

Installation Visuals



8 Inch Quad Port Subwoofer Box GMC and Chevy Crew Cab

Q POWER

 <p>Tuning Frequency 35 Hertz</p>	 <p>Color: Black</p>	 <p>Middle Slot Port</p>	 <p>Protected Musical Environment</p>
---	--	---	---

Figure 1: Q Power Quad 8-inch Underseat Subwoofer Enclosure.

Specifications



Air Space
.8 Cubic Feet

Weight
43 lbs

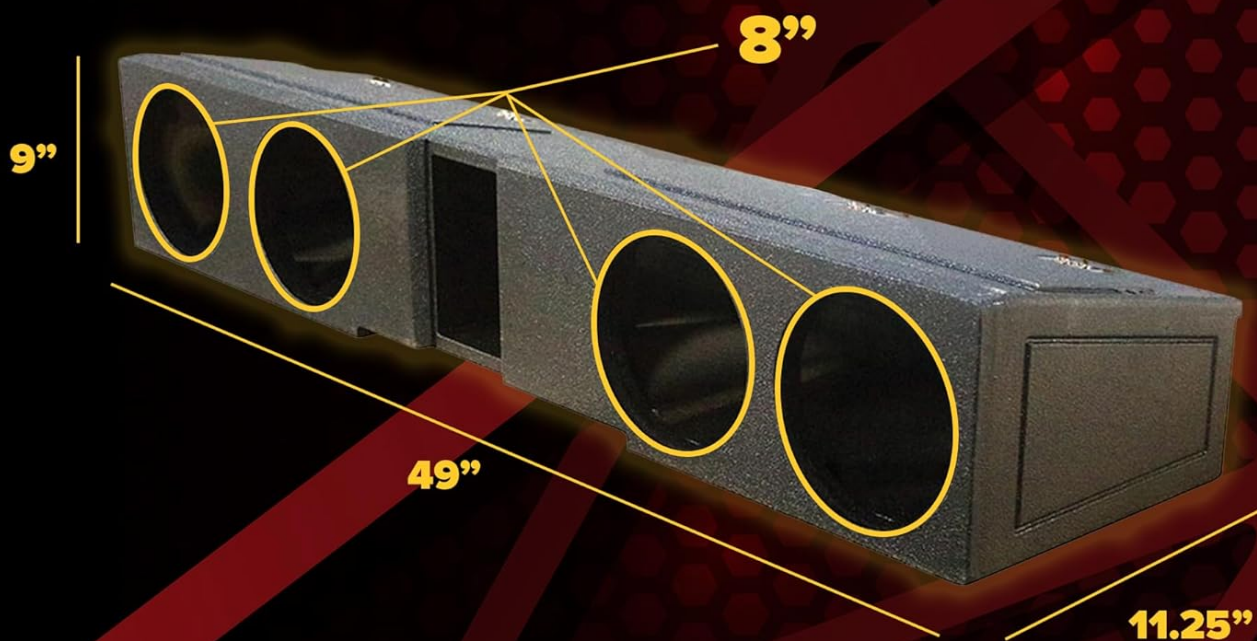


Figure 2: Enclosure dimensions, showing 8-inch speaker cutouts, 9-inch height, 49-inch length, and 11.25-inch depth.



Figure 3: Rear view of the enclosure installed under a truck seat, showcasing its low-profile fit.



Figure 4: Front view of the enclosure installed under a truck seat, demonstrating the underseat down-firing design.



Figure 5: Side view of the enclosure, highlighting the wiring terminals for connection to an amplifier.



Figure 6: Overview of the Q Power Quad Port Subwoofer Box, designed for GMC and Chevy Crew Cab vehicles.

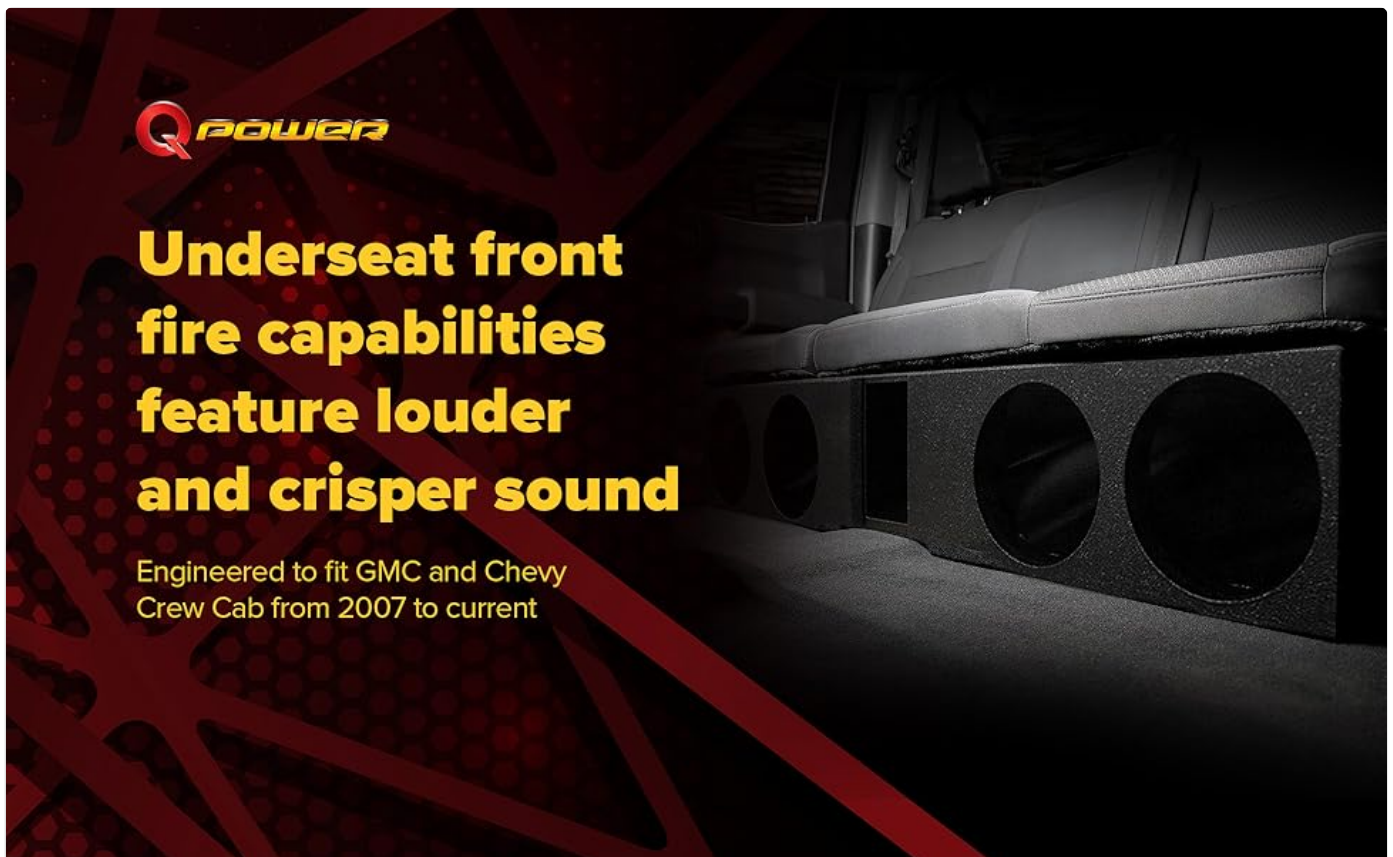


Figure 7: Illustration of the underseat front-firing design, engineered for enhanced audio projection.

4. OPERATING INSTRUCTIONS

Once the subwoofer enclosure is installed and wired correctly, follow these guidelines for optimal operation:

- **Initial Power-Up:** Turn on your car audio system and amplifier. Start with the amplifier's gain and crossover settings at their lowest or recommended starting points.
- **Adjust Settings:** Gradually increase the amplifier's gain and adjust the low-pass filter (LPF) to blend the subwoofer's output with your main speakers. A common LPF setting for subwoofers is between 80-120 Hz.
- **Phase Adjustment:** Experiment with the phase setting (0° or 180°) on your amplifier or head unit to find the position that provides the most impactful and cohesive bass response.
- **Volume Control:** Avoid excessive volume levels that cause distortion or "clipping," which can damage your subwoofers and amplifier. Listen for clear, undistorted bass.
- **Break-in Period:** Allow a break-in period of several hours of moderate listening before operating the subwoofers at high volumes. This allows the subwoofer's suspension to loosen and perform optimally.

5. MAINTENANCE

To ensure the longevity and performance of your Q Power subwoofer enclosure, follow these simple maintenance tips:

- **Cleaning:** Regularly wipe down the enclosure with a dry or slightly damp cloth to remove dust and debris. Avoid using harsh chemicals or abrasive cleaners.
- **Inspection:** Periodically check all wiring connections to ensure they are secure and free from corrosion. Inspect the subwoofer surrounds for any signs of wear or damage.
- **Ventilation:** Ensure that the amplifier powering the subwoofers has adequate ventilation to prevent overheating.
- **Environmental Protection:** While the bed liner material offers durability, avoid prolonged exposure to extreme temperatures or moisture.

6. TROUBLESHOOTING

If you encounter issues with your subwoofer enclosure, refer to the following common problems and solutions:

Problem	Possible Cause	Solution
No Sound from Subwoofers	<ul style="list-style-type: none"> ◦ Loose wiring connections. ◦ Amplifier not powered on or in protect mode. ◦ Incorrect amplifier settings. ◦ Damaged subwoofers or amplifier. 	<ul style="list-style-type: none"> ◦ Check all power, ground, and signal wires. ◦ Verify amplifier power and check fuses. ◦ Review amplifier gain, crossover, and input settings. ◦ Test subwoofers and amplifier separately if possible.
Distorted Bass	<ul style="list-style-type: none"> ◦ Amplifier gain set too high. ◦ Head unit volume too high. ◦ Incorrect crossover settings. ◦ Damaged subwoofers. 	<ul style="list-style-type: none"> ◦ Reduce amplifier gain. ◦ Lower head unit volume. ◦ Adjust LPF to a suitable frequency (e.g., 80-120 Hz). ◦ Inspect subwoofers for physical damage.
Weak Bass Output	<ul style="list-style-type: none"> ◦ Incorrect phase setting. ◦ Low amplifier gain. ◦ Subwoofers wired out of phase. ◦ Insufficient power from amplifier. 	<ul style="list-style-type: none"> ◦ Toggle phase switch (0°/180°). ◦ Increase amplifier gain gradually. ◦ Verify correct wiring polarity for all subwoofers. ◦ Ensure amplifier power matches subwoofer requirements.

If problems persist after attempting these solutions, consult a professional car audio technician.

7. SPECIFICATIONS

Feature	Detail
Model Name	QBGMC07408
Mounting Type	Underseat
Material	Bed Liner Material
Speaker Type	Subwoofer Enclosure (for 8-inch subwoofers)
Subwoofer Diameter (Supported)	8 Inches
Number of Subwoofers Supported	4
Surround Sound Channel Configuration	4.0 (referring to 4 subwoofers)
Special Feature	Underseat Down Fire, Rugged Bed Liner
Tuning Frequency	35 Hz
Air Space	0.8 Cubic Feet
Mounting Depth	11.25 Inches
Item Weight	37.9 pounds
UPC	813177027141

8. WARRANTY AND SUPPORT

This Q Power subwoofer enclosure comes with a **Lifetime Warranty**. For specific details regarding warranty coverage, claims, or technical support, please refer to the official Q Power website or contact their customer service directly. Keep your proof of purchase for warranty purposes.