

[Manuals.plus](#) /

› [KARAMAG](#) /

› KARAMAG 16 Inch Rectangular Undermount Bathroom Sink Instruction Manual

**KARAMAG 15.7"X11.8"**

# KARAMAG 16 Inch Rectangular Undermount Bathroom Sink Instruction Manual

**MODEL: 15.7"X11.8"**

## 1. Introduction

---

This manual provides instructions for the installation, operation, and maintenance of your KARAMAG 16 Inch Rectangular Undermount Bathroom Sink. Please read carefully before proceeding to ensure proper use and longevity of the product.



## 2. Product Overview and Features

The KARAMAG rectangular undermount bathroom sink is designed for integration into bathroom vanities, lavatories, and restrooms. It features vertical sides and is constructed from high-density glazed vitreous china, ensuring durability and a lasting aesthetic. This sink does not include faucet holes.

- **Durable Material:** Made of glazed vitreous china with a 2.2mm glaze thickness, providing exceptional durability and beauty.
- **Overflow-Proof Design:** Includes an overflow feature for efficient drainage, preventing water from overflowing the countertop if unattended.
- **Quick Drainage:** Equipped with a standard 1.75-inch drain hole for smooth and rapid water evacuation.
- **Glossy Outlook:** The well-glazed, smooth surface is designed to be shining, easy to clean, and resistant to stains and scratches.
- **Secure Design:** Features rounded and polished angles for enhanced safety.
- **Undermount Installation:** Designed for undermount installation, which maximizes countertop space and contributes to a cleaner aesthetic.

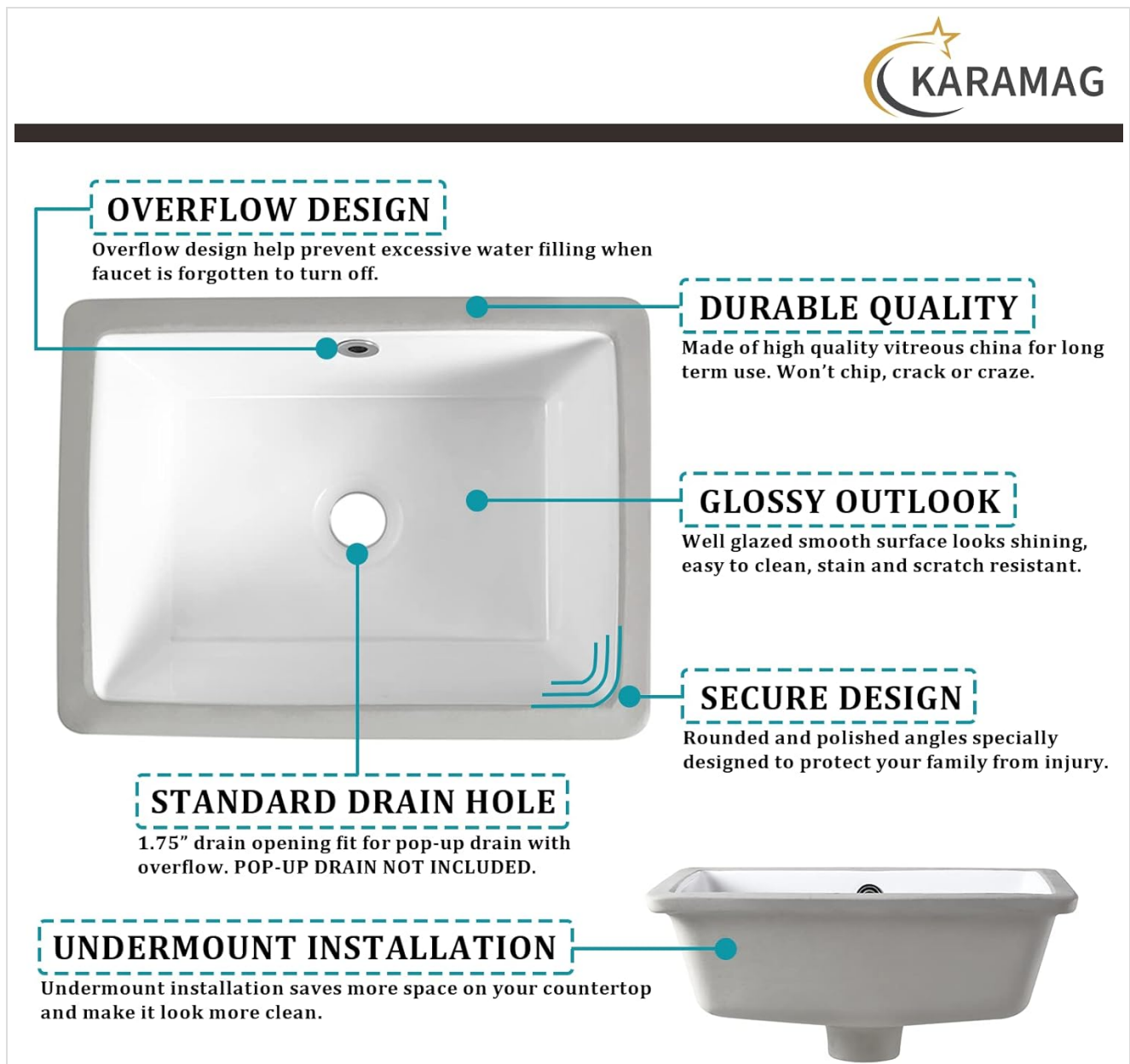
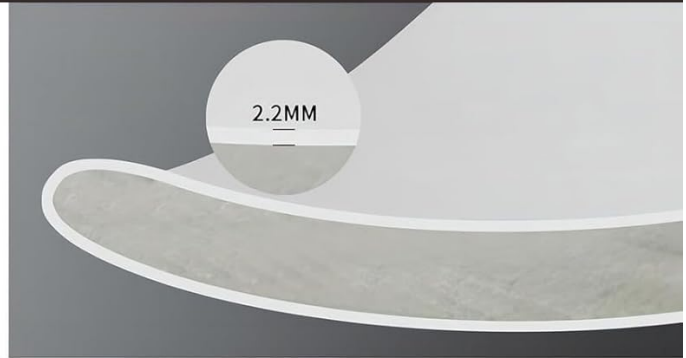


Image 2: Key features of the KARAMAG Undermount Sink.

# UNDERMOUNT BATHROOM SINK

## Durable Material

Made of glazed vitreous china with high density glaze thickness 2.2mm. High quality glaze provides exceptional durability and lasting beauty.

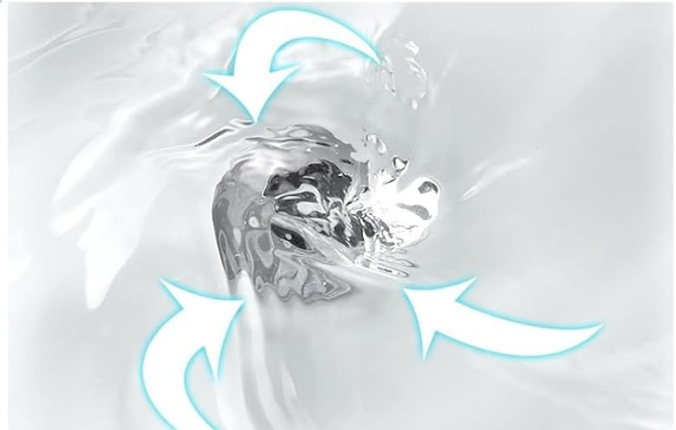


## Overflow-Proof

Overflow for fast drain, to prevent the water from overflowing the table when unattended, keep your bathroom clean and dry.

## Quick Drainage

Beautiful and practical, standard 1.75 Inch drain hole, drainage is smooth in one go, as fast as lightning.



*Image 3: Detailed view of material, overflow, and drainage features.*

*Video 1: A video showcasing the manufacturing process of the KARAMAG ceramic sink, its water retention capabilities, and ease of cleaning.*

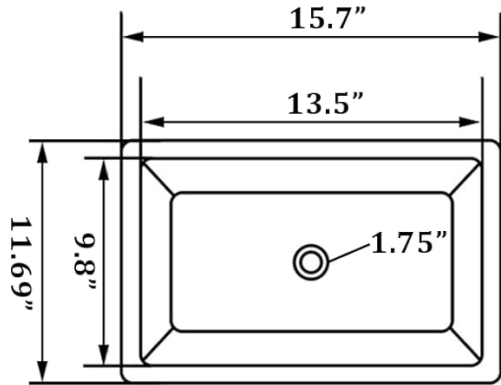
## 3. Dimensions

The following dimensions are provided for planning and installation purposes. Please verify these measurements against your specific installation requirements.

- **External Size:** 15.7 inches (L) x 11.69 inches (W) x 7.1 inches (H) (399 mm x 297 mm x 180 mm)
- **Internal Size:** 13.5 inches (L) x 9.8 inches (W) x 5.1 inches (D) (342 mm x 249 mm x 130 mm)
- **Drain Hole Size:** 1.75 inches (44.5 mm)

**NOTE:**

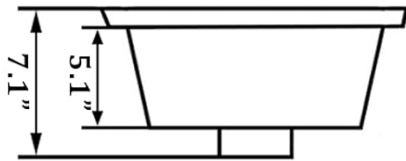
1. Please check carefully all the dimensions before purchase to make sure it can fit well for your countertop.
2. All the dimensions may vary slightly due to the manual measurement. Please refer to the received item for cutout.



**External Size: 15.7"L x 11.69"W x 7.1"H**  
(399 x 297 x 180mm)

**Internal Size: 13.5"L x 9.8"W x 5.1"H**  
(342 x 249 x 130mm)

**Drain Hole Size: 1.75" (44.5mm)**



*Image 4: Detailed dimensions diagram for the sink.*

## 4. Setup and Installation

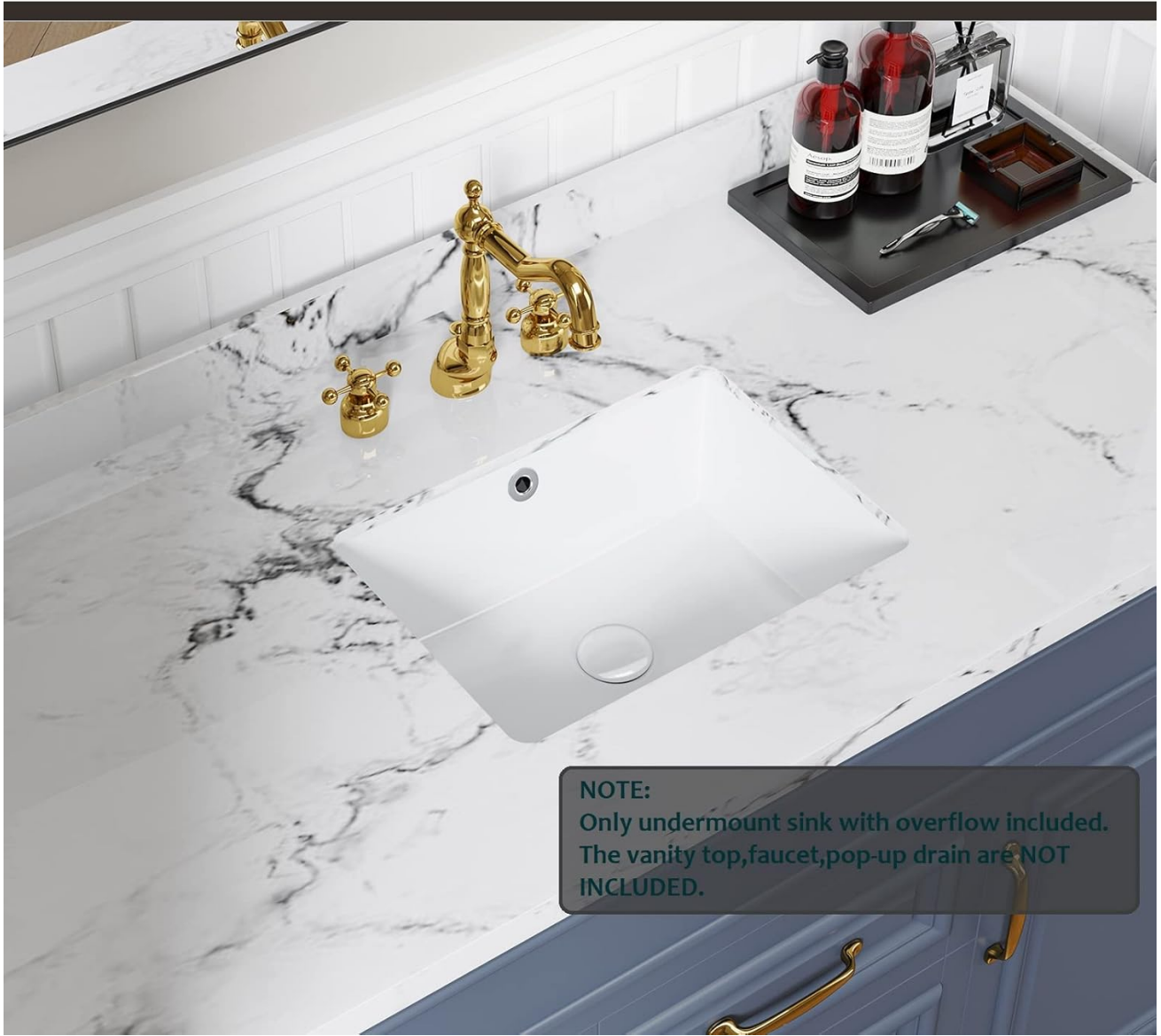
This sink is designed for undermount installation. It is recommended to consult a professional plumber or refer to detailed plumbing guides for specific installation procedures. Ensure all dimensions are checked carefully before cutting the countertop.

1. **Preparation:** Ensure your countertop is properly prepared with the correct cutout size based on the sink's external dimensions.
2. **Mounting:** Secure the sink to the underside of the countertop using appropriate mounting clips and sealant (not included).
3. **Drain Installation:** Install a standard 1.75-inch pop-up drain (not included) into the sink's drain hole.
4. **Faucet Connection:** Connect your chosen faucet (not included) and water supply lines according to the faucet manufacturer's instructions.
5. **Sealing:** Apply a waterproof sealant around the rim of the sink where it meets the countertop to prevent leaks.

**Note:** Pop-up drain and faucet are not included with this sink. Please purchase these items separately.

*Video 2: A short video demonstrating the installed KARAMAG undermount bathroom sink from a top-down perspective and showing the underside installation.*

# UNDERMOUNT BATHROOM SINK



**NOTE:**  
Only undermount sink with overflow included.  
The vanity top, faucet, pop-up drain are NOT INCLUDED.

*Image 5: Example of the sink installed in a bathroom vanity.*

## 5. Operating Instructions

---

The KARAMAG undermount bathroom sink operates like any standard bathroom sink. Water flow is controlled by the installed faucet. The overflow feature is designed to manage excess water, but it is not a substitute for monitoring water levels.

## 6. Maintenance and Care

---

To maintain the appearance and longevity of your ceramic sink, follow these care instructions:

- **Regular Cleaning:** Clean the sink regularly with a soft cloth or sponge and a mild, non-abrasive cleaner.
- **Avoid Harsh Chemicals:** Do not use abrasive powders, scouring pads, or cleaners containing harsh chemicals like bleach, ammonia, or acid, as these can damage the glaze.
- **Rinse Thoroughly:** After cleaning, rinse the sink thoroughly with clean water to remove any cleaner residue.
- **Prevent Stains:** Wipe away any spills or stains promptly to prevent them from setting.
- **Avoid Impact:** While durable, ceramic can chip or crack under heavy impact. Avoid dropping heavy objects

into the sink.

## 7. Troubleshooting

---

If you encounter any issues with your sink, consider the following common troubleshooting steps:

- **Leaks:** Check all plumbing connections under the sink for tightness. Ensure sealant around the sink rim is intact.
- **Slow Drainage:** This is typically due to a clog in the drain or P-trap. Remove and clean the pop-up drain assembly and P-trap.
- **Water Stains/Mineral Buildup:** Use a mild descaling solution or a mixture of vinegar and water to remove mineral deposits. Rinse thoroughly afterward.

For persistent issues or complex plumbing problems, it is advisable to contact a qualified plumber.

## 8. Specifications

---

Attribute	Value
Brand	KARAMAG
Color	White
Material	Ceramic
Size	15.70"x11.69" Rectangular
Product Dimensions	11.69"D x 15.7"W x 7.1"H
Style	15.7 Inch
Installation Type	Undermount
Finish Type	Ceramic
Shape	Rectangular
Drain Type	Pop-Up
Item Weight	12.78 Pounds
Base Width	11.69 Inches
Product Care Instructions	Easy to clean
UPC	760053364831
Manufacturer	KARAMAG
Part Number	15.7"X11.8"
Item model number	15.7"X11.8"
Item Package Quantity	1
Date First Available	April 2, 2021

## 9. Warranty and Support

---

For any questions, concerns, or issues regarding your KARAMAG sink, please feel free to contact the manufacturer directly. It is recommended to inspect the package contents upon receipt for any damage or missing parts.