



[Manuals.plus](#) /

> [Tangkula](#) /

> Tangkula L-Shaped Corner Computer Desk Instruction Manual

Tangkula GT-65902BK-HW

Tangkula L-Shaped Corner Computer Desk Instruction Manual

Model: GT-65902BK-HW

INTRODUCTION

Thank you for choosing the Tangkula L-Shaped Corner Computer Desk. This manual provides essential information for the safe assembly, operation, and maintenance of your new desk. Please read these instructions carefully before beginning assembly and retain them for future reference.

SAFETY INFORMATION

- Always ensure the desk is properly assembled and stable before use.
- Do not use on uneven or unstable surfaces without additional support.
- Do not exceed the maximum weight capacity of 220 pounds (100 kg).
- Keep small parts and packaging materials away from children to prevent choking hazards.
- Avoid placing hot items directly on the desk surface without protection.

PARTS LIST AND PRE-ASSEMBLY CHECK

Before assembly, carefully unpack all components and verify that all parts listed in the included assembly instructions are present and undamaged. If any parts are missing or damaged, please contact customer support immediately. All necessary assembly tools are included with your purchase.



Figure 1: Desk dimensions. The desk measures 59 inches along each L-shaped side, with a depth of 35.5 inches on the main sections and 23.5 inches on the corner sections. The overall height is 30 inches.

ASSEMBLY INSTRUCTIONS

Assembly of the Tangkula L-Shaped Corner Computer Desk is designed to be straightforward. Follow the step-by-step instructions provided in the separate assembly manual included in your package. Ensure all screws are tightened securely, but do not overtighten.

Key Assembly Features:

- **L-Shaped Design:** The desk is designed to fit snugly into a corner, maximizing your workspace.
- **Detachable Configuration:** The desk can be assembled as a single L-shaped unit or separated into two individual straight desks by removing the middle round board.
- **Adjustable Leveling Feet:** Install the adjustable leg pads to ensure stability on uneven floor surfaces. Adjust each foot individually until the desk is level and does not wobble.
- **X-Shaped Brackets:** These brackets provide additional structural support and stability to the desk frame. Ensure they are correctly installed as per the instructions.

Can be separated into 2 small desks



Figure 2: Flexible detachable design. The L-shaped desk can be separated into two smaller, individual desks for versatile use.



Figure 3: Detailed features including rounded edges for safety, adjustable leveling feet for stability, and X-shaped support structure.

OPERATING INSTRUCTIONS

The Tangkula L-Shaped Corner Computer Desk is designed for various uses in a home or office environment.

Usage Configurations:

- **L-Shaped Workstation:** Utilize the full L-shape to create a spacious corner workstation, ideal for multiple monitors, computers, and office accessories.
- **Dual Straight Desks:** If space requirements change or for multi-user setups, separate the desk into two independent straight desks. This provides flexibility for different room layouts or individual workspaces.

The spacious desktop provides ample room for laptops, monitors, and other office supplies, keeping everything within reach. The design also offers generous legroom underneath for comfort and storage.



Figure 4: L-shaped desk in a home office setting, showcasing its spacious desktop and functional design.

CARE AND MAINTENANCE

- **Cleaning:** The desk features a smooth, waterproof tabletop surface. For daily cleaning, wipe with a soft, damp cloth. Avoid abrasive cleaners or harsh chemicals that may damage the finish.
- **Spills:** Wipe up spills immediately to prevent water damage, although the surface is designed to be waterproof.
- **Inspection:** Periodically check all screws and connections to ensure they remain tight. Retighten if necessary to maintain stability.
- **Avoid Overloading:** Do not place excessively heavy items on the desk, ensuring the total weight does not exceed 220 pounds.

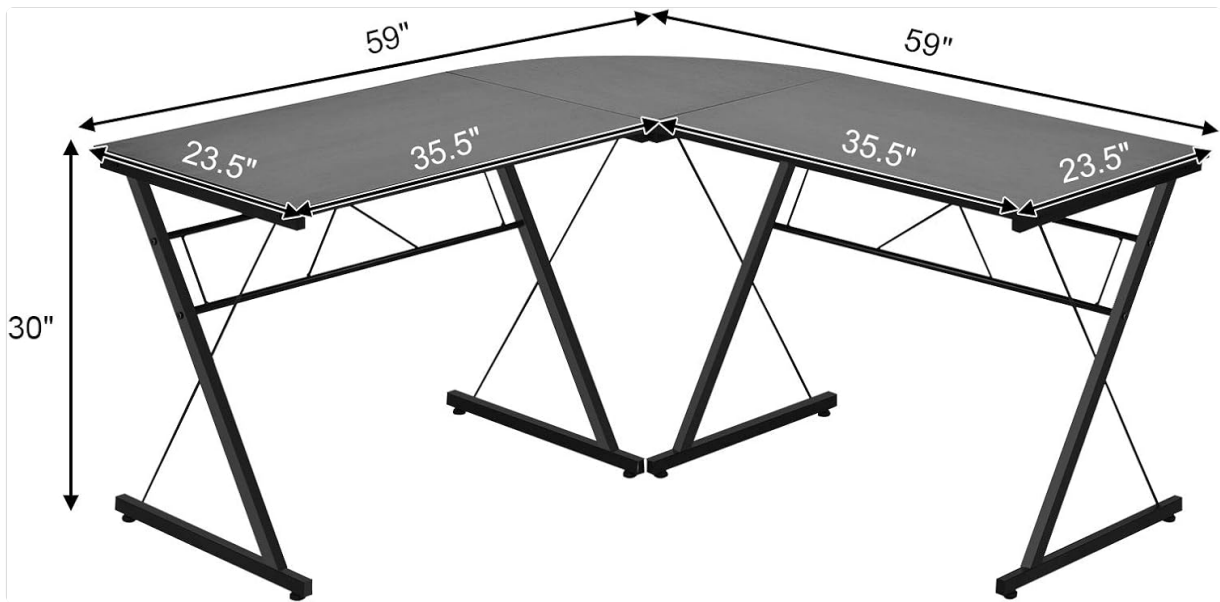


Figure 5: Waterproof tabletop surface for easy cleaning and maintenance.

TROUBLESHOOTING

Common Issues and Solutions:

- Desk is Wobbly:**
Solution: Check that all assembly screws are securely tightened. Adjust the individual leveling feet on the bottom of each leg to compensate for uneven floor surfaces until the desk is stable.
- Parts Missing or Damaged:**
Solution: Refer to the parts list in your assembly manual. If any parts are missing or damaged upon arrival, do not proceed with assembly. Contact Tangkula customer support for assistance.
- Difficulty Assembling:**
Solution: Review the step-by-step assembly instructions carefully. Ensure you are using the correct hardware for each step. If issues persist, contact customer support for guidance.

PRODUCT SPECIFICATIONS

| | |
|--------------------------------------|--|
| Brand | Tangkula |
| Model Number | GT-65902BK-HW |
| Product Dimensions | 59"D x 59"W x 30"H (150cm x 150cm x 76cm) |
| Item Weight | 53 Pounds (24 kg) |
| Maximum Weight Recommendation | 220 Pounds (100 kg) |
| Material Type | P2 MDF + Iron Pipe |
| Color | Black |
| Assembly Required | Yes |
| Included Components | L-shaped desk components, assembly tools, instruction manual |

WARRANTY INFORMATION

Tangkula products are manufactured to high-quality standards. For specific warranty details, including coverage and duration, please refer to the warranty card included with your product or contact Tangkula customer support directly. Please retain your proof of purchase for any warranty claims.

CUSTOMER SUPPORT

If you have any questions, require assistance with assembly, or need to report missing/damaged parts, please contact Tangkula customer support. You can typically find contact information on the packaging, the included assembly manual, or by visiting the official Tangkula website.

For online purchases, you may also refer to the seller's contact information on the platform where the product was purchased.