

## Manuals+

[Q & A](#) | [Deep Search](#) | [Upload](#)

manuals.plus /

- › [MARIE](#) /
- › [MARIE Hold Open Door Closer Instruction Manual \(Model FBA-1303D-B\)](#)

## MARIE FBA-1303D-B

# MARIE Hold Open Door Closer Instruction Manual

Model: FBA-1303D-B

## 1. INTRODUCTION

---

This manual provides comprehensive instructions for the installation, operation, and maintenance of the MARIE Hold Open Door Closer, Model FBA-1303D-B. Please read these instructions carefully before installation and use to ensure proper function and safety.



Image 1.1: MARIE Hold Open Door Closer (Model FBA-1303D-B). This image displays the main components of the door closer, including the closer body, arm, and mounting bracket, all in a black finish.

## 2. SAFETY INFORMATION

---

- Ensure all mounting screws are securely fastened to prevent injury or damage.
- Do not attempt to disassemble the main body of the door closer, as it contains pressurized hydraulic fluid.
- Adjustments to closing and latching speeds should be made carefully to avoid sudden door movements.
- Keep hands and fingers clear of moving parts during operation and adjustment.

## 3. PACKAGE CONTENTS

---

Verify that all components are present before beginning installation:

- 1x MARIE Hold Open Door Closer Body
- 1x Main Arm Assembly
- 1x Parallel Arm Bracket

- Mounting Hardware (screws, bolts)
- Installation Template (typically included for accurate drilling)



Image 3.1: Included components. This image shows the door closer body, the arm assembly, and a set of mounting screws, illustrating the complete package contents.

## 4. SPECIFICATIONS

<b>Model Number</b>	FBA-1303D-B
<b>Part Number</b>	1303-S
<b>UPC</b>	753326463683
<b>Applicable Door Weight</b>	88-143 lbs (45-65 kg)
<b>Applicable Door Width</b>	Up to 42 inches (106 cm)
<b>Door Closer Size</b>	Size 3
<b>Material</b>	Aluminum

<b>Color</b>	Black
<b>Product Dimensions</b>	9.84 x 7.87 x 1.97 inches
<b>Item Weight</b>	3.45 pounds (1.57 kg)
<b>Certifications</b>	CE, UL
<b>Hold Open Function</b>	Adjustable between 90° and 180°
<b>Operating Temperature</b>	-40°C to 50°C (-40°F to 122°F)



Image 4.1: Temperature resistance. This image illustrates the door closer's ability to function reliably in extreme temperatures, from -40°C to 50°C, suitable for various indoor and outdoor conditions.

## 5. SETUP AND INSTALLATION

The MARIE door closer can be installed in three common configurations: Regular Arm, Top Jamb, and Parallel Arm. Choose the appropriate method for your door type and opening direction.

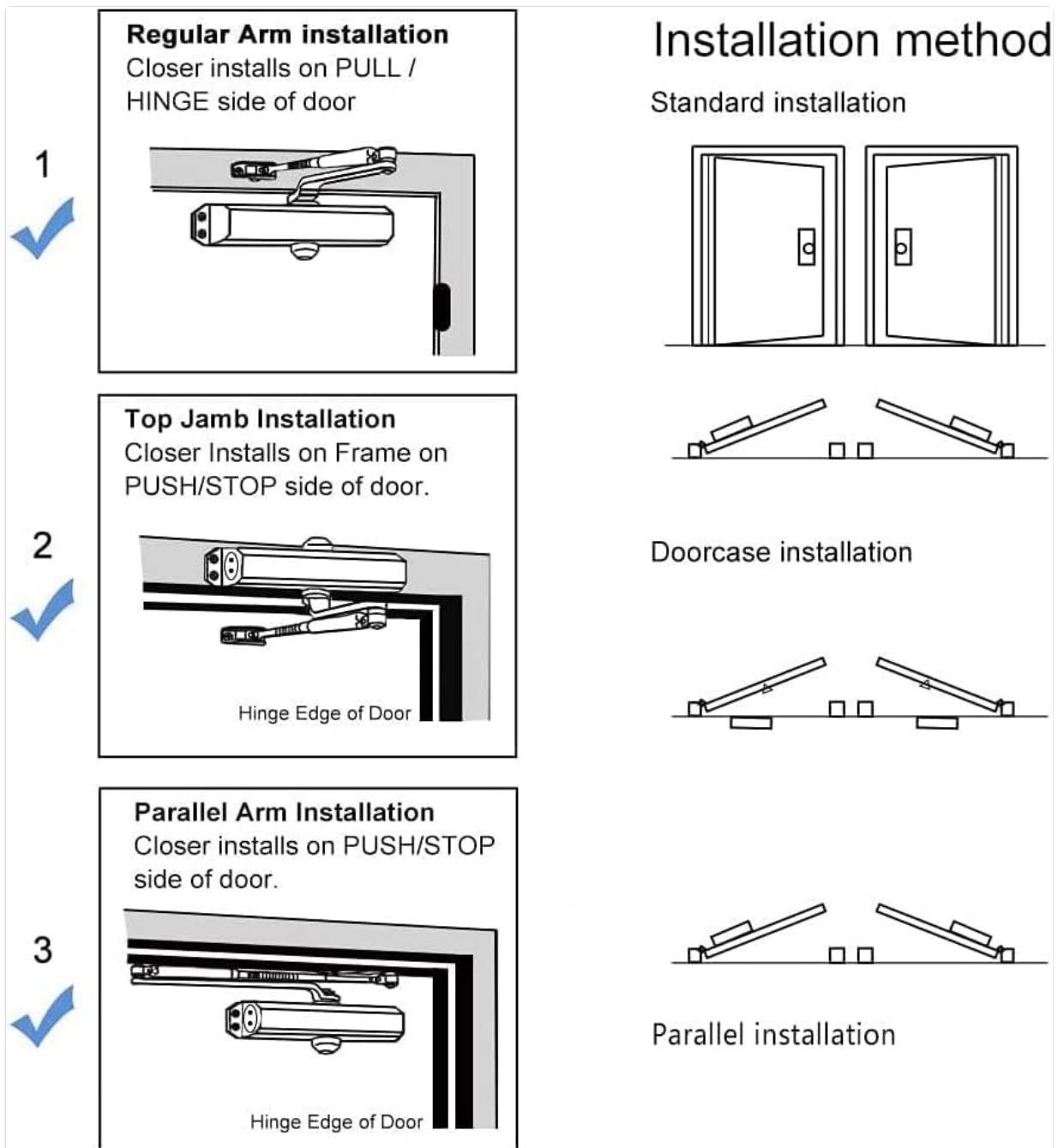


Image 5.1: Installation methods. This diagram shows three common installation types: Regular Arm (closer on pull/hinge side), Top Jamb (closer on frame on push/stop side), and Parallel Arm (closer on push/stop side).

## 5.1 General Installation Steps

1. **Determine Mounting Type:** Refer to Image 5.1 to select the correct installation method for your door.
2. **Prepare Door and Frame:** Use the provided template (if included) to mark drilling locations on the door and door frame.
3. **Drill Pilot Holes:** Drill pilot holes at the marked locations. Ensure hole depth is appropriate for the screws.
4. **Mount Closer Body:** Secure the door closer body to the door or frame using the provided screws.
5. **Attach Arm Assembly:** Connect the main arm to the closer body and the secondary arm to the frame bracket.
6. **Adjust Arm Length:** Adjust the arm length to achieve the desired door opening angle and closing force.
7. **Final Tightening:** Ensure all screws and connections are tightened securely.

## 5.2 Product Dimensions and Power Adjustment

Understanding the dimensions and how to adjust the arm shoe can optimize installation and door operation.

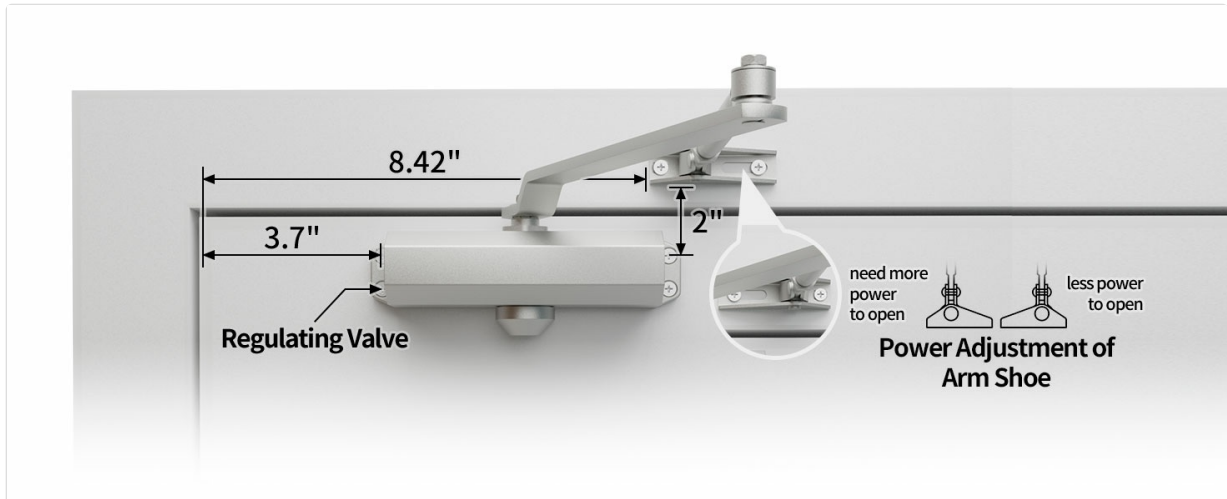


Image 5.2: Dimensions and arm shoe adjustment. This image provides key dimensions of the door closer and illustrates how adjusting the arm shoe can modify the power required to open the door.

## 5.3 Application Examples

The MARIE door closer is suitable for various door types in residential and commercial settings.

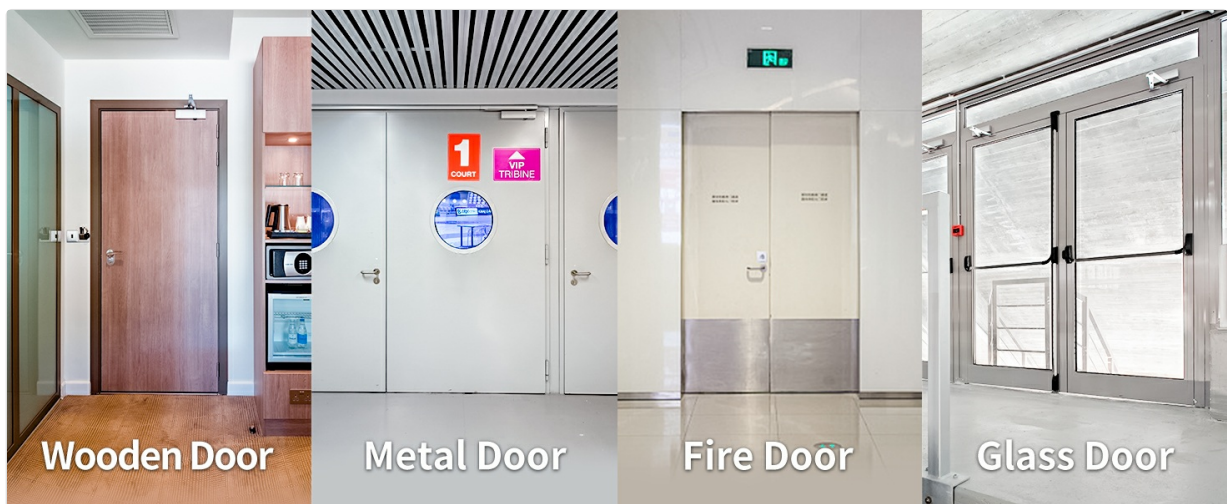


Image 5.3: Diverse door applications. This image displays the door closer installed on different door materials, including wooden, metal, fire-rated, and glass doors, demonstrating its versatility.

## 6. OPERATING INSTRUCTIONS AND ADJUSTMENTS

The door closer features adjustable closing and latching speeds, as well as a hold-open function.

### 6.1 Speed Adjustment

The closing and latching speeds are controlled by two independent valves (Valve 1 and Valve 2) located on the closer body. Turning the screws clockwise decreases speed, and counter-clockwise increases speed.

- **Valve 1 (Closing Speed):** Controls the door's closing speed from approximately 15° to 90°.
- **Valve 2 (Latching Speed):** Controls the final latching speed from approximately 0° to 15°, ensuring the door closes gently and securely without slamming.

## ADJUSTABLE SWEEPING AND LATCHING SPEED

Don't worry about being caught by the door and loud closing noise

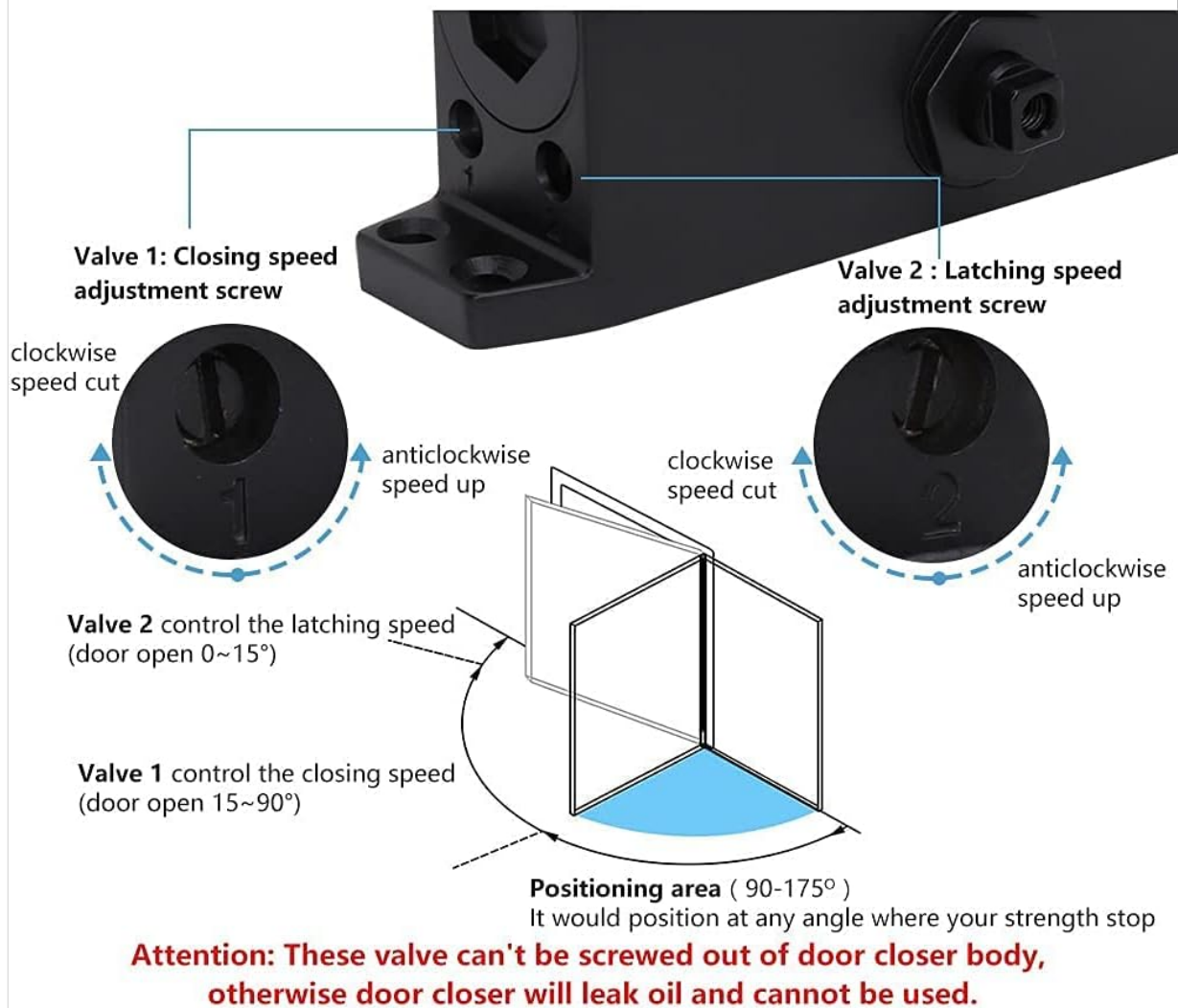


Image 6.1: Speed adjustment valves. This diagram highlights Valve 1 for closing speed (15°-90°) and Valve 2 for latching speed (0°-15°), indicating clockwise for slower and counter-clockwise for faster adjustments.

**Important: Do not unscrew the valves completely out of the closer body, as this can cause hydraulic fluid leakage and render the unit inoperable.**

### 6.2 Hold Open Function

When the door is opened beyond 90°, this door closer can maintain the door's position at any angle between 90° and 180°. To engage the hold-open function, simply open the door to the desired angle within this range, and the closer will hold it in place. To release, gently push the door to initiate closing.

## ADJUSTABLE SPEED

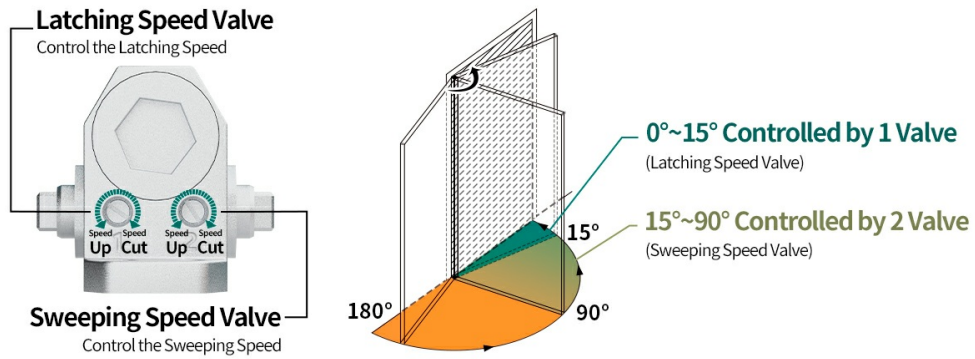


Image 6.2: Adjustable speed and hold-open range. This image shows the two speed adjustment valves and a visual representation of the door's closing and latching phases, along with the 90°-180° hold-open positioning area.

## SOFT CLOSE, QUIET & BUFFER

Adjust the closing speed and latching speed  
It can prevent you from getting caught by the door.  
And frightened by closing the door vigorously.



Image 6.3: Soft close and buffer. This image demonstrates the soft closing mechanism, which prevents the door from slamming and protects hands from being caught, ensuring quiet and safe operation.

## 7. MAINTENANCE

The MARIE door closer is designed for minimal maintenance. Regular checks can ensure its longevity and optimal performance.

- **Periodic Inspection:** Annually inspect all mounting screws and arm connections for tightness. Tighten any loose fasteners.
- **Cleaning:** Wipe the closer body and arm with a soft, damp cloth to remove dust and grime. Avoid abrasive cleaners.
- **Hydraulic Fluid:** The unit is factory-sealed with stable hydraulic fluid. No refilling or servicing of internal components is required or recommended.
- **Smooth Operation:** If the door closer's operation becomes inconsistent, re-check speed adjustments (Section 6.1) and ensure no obstructions are interfering with the door's movement.

## 8. TROUBLESHOOTING

Problem	Possible Cause	Solution
Door slams shut	Latching speed (Valve 2) is too fast.	Turn Valve 2 screw clockwise to decrease latching speed.
Door closes too slowly	Closing speed (Valve 1) is too slow.	Turn Valve 1 screw counter-clockwise to increase closing speed.
Door does not close completely	Insufficient closing force; Latching speed too slow; Obstruction.	Increase latching speed (Valve 2); Check for door/frame obstructions; Ensure arm length is correctly set.
Door closer leaks oil	Adjustment valves unscrewed too far; Damaged unit.	Ensure adjustment screws are not fully removed. If leakage persists, the unit may be damaged and require replacement. Contact support.
Hold-open function not working	Door not opened beyond 90 degrees; Mechanism issue.	Ensure door is opened past 90 degrees to engage. If issue persists, contact support.

## 9. WARRANTY AND SUPPORT

All MARIE hydraulic door closers are warranted for **Five years** from the date of purchase.

If you are not satisfied with the product, returns or exchanges are accepted within 30 days of purchase. For any quality issues or further assistance, please contact MARIE customer support.

For support, please refer to the contact information provided with your purchase or visit the official MARIE website.