

Manuals.plus /

› SogesHome /

› SogesHome 120 cm Multipurpose Computer Desk with Storage User Manual

SogesHome 120 cm Multipurpose Computer Desk

SogesHome 120 cm Multipurpose Computer Desk with Storage - User Manual

1. PRODUCT OVERVIEW

The SogesHome 120 cm Multipurpose Computer Desk is designed to provide a functional and organized workspace for various environments, including offices, living rooms, and study areas. This desk features a modern design, a spacious work surface, and integrated storage solutions to help keep your items tidy and accessible.

Key Features:

- **Integrated Storage:** Includes a large drawer and four side shelves for books, folders, and other essentials. The central shelf is removable to accommodate a CPU tower.
- **Durable Construction:** Made from strong stainless steel bars, melamine, and MDF board for stability and longevity.
- **Water-Resistant Surface:** The desk surface is designed to resist water, making it easy to clean and maintain.
- **Floor Protection:** Equipped with rubber feet to prevent damage to your flooring and ensure desk stability.
- **Easy Assembly:** Designed for straightforward assembly without the need for additional tools.

2. SETUP AND ASSEMBLY

This desk is designed for easy assembly and does not require special tools. Please follow the illustrated instructions provided in the packaging for detailed steps. Ensure all components are present before beginning assembly.

2.1. Unpacking and Component Check

Carefully unpack all parts from the box. Lay them out on a clean, soft surface to prevent scratches. Verify that all components listed in the instruction manual are present and undamaged.

PRODUCT DETAILS



Image: Desk components and materials. Ensure all parts are accounted for before assembly.

2.2. Assembly Steps

1. **Attach Support Poles:** Begin by attaching the stainless steel support poles to the main desk surface and the base shelves. Ensure they are securely fastened.
2. **Install Side Shelves:** Connect the side shelves to the support poles. The design allows for flexible placement, and the central shelf can be removed if you plan to store a CPU tower.
3. **Assemble Drawer:** Follow the specific instructions for assembling the drawer. Insert the drawer into its designated slot under the main desk surface.
4. **Attach Rubber Feet:** Secure the rubber feet to the bottom of the desk's base shelves. These feet protect your floor and provide additional stability.
5. **Final Check:** Once assembled, gently shake the desk to ensure all connections are stable and secure. Adjust any components as needed.



Image: Fully assembled SogesHome 120 cm Multipurpose Computer Desk.

3. OPERATING AND USAGE

The SogesHome desk is designed for versatile use in various settings. Its thoughtful design allows for efficient organization and comfortable work.

3.1. Workspace Utilization

The main desk surface provides ample space for a computer monitor, keyboard, mouse, and other work essentials. Position your equipment to ensure ergonomic comfort.

3.2. Storage Management

- **Drawer:** Use the large drawer for storing stationery, documents, or personal items to keep your desktop clutter-free.
- **Side Shelves:** The four side shelves are ideal for organizing books, binders, files, or decorative items. Arrange them according to your needs for easy access.
- **Removable Central Shelf:** If you use a desktop computer, the central shelf can be removed to create a dedicated space for your CPU tower, ensuring proper ventilation and cable management.

| 3 uses



Image: Examples of the desk's versatile applications, including a computer workstation and a console table.

4. MAINTENANCE AND CARE

Proper maintenance will ensure the longevity and appearance of your SogesHome desk.

4.1. Cleaning Instructions

- **Surface Cleaning:** Wipe the desk surfaces with a soft, damp cloth. For tougher stains, a mild soap solution can be used.
- **Avoid Harsh Chemicals:** Do not use abrasive cleaners, strong detergents, or solvents, as these can damage the melamine and MDF finishes.
- **Water Resistance:** While the desk surface is water-resistant, it is recommended to wipe up spills promptly to prevent any potential long-term damage.

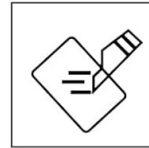


Image: Close-up of the desk surface, demonstrating its finish and water-resistant properties.

4.2. Structural Care

- **Check Connections:** Periodically check all screws and connections to ensure they remain tight. Retighten if necessary to maintain stability.
- **Protect from Heat:** Avoid placing hot items directly on the desk surface. Use coasters or protective pads.
- **Even Weight Distribution:** Distribute weight evenly across the desk surface and shelves to prevent stress on individual components.

5. TROUBLESHOOTING

If you encounter any issues with your SogesHome desk, refer to the following common troubleshooting tips.

5.1. Desk Wobbles

- **Check Connections:** Ensure all screws and fasteners are securely tightened. Loose connections are a common cause of wobbling.
- **Level Surface:** Verify that the desk is placed on a flat and even surface. Uneven flooring can cause instability.
- **Adjust Rubber Feet:** The rubber feet are designed to help balance the desk. If your desk has

adjustable feet, fine-tune them to eliminate any wobble.

5.2. Drawer Not Sliding Smoothly

- **Check Alignment:** Ensure the drawer runners are correctly aligned and free from obstructions.
- **Lubrication:** If the drawer mechanism is stiff, a small amount of silicone lubricant can be applied to the runners.

5.3. Missing or Damaged Parts

If you find any parts missing or damaged upon unpacking, please contact SogesHome customer support or your retailer immediately for assistance.

6. SPECIFICATIONS

Detailed specifications for the SogesHome 120 cm Multipurpose Computer Desk.

Feature	Specification
Brand	SogesHome
Model	120 cm Multipurpose Computer Desk
Dimensions (L x W x H)	120 cm x 40 cm x 76 cm
Weight	20 kg
Color	White
Material (Frame)	Stainless Steel
Material (Top & Shelves)	MDF (Melamine finish)
Number of Drawers	1
Special Features	Water Resistant, Rubber Feet

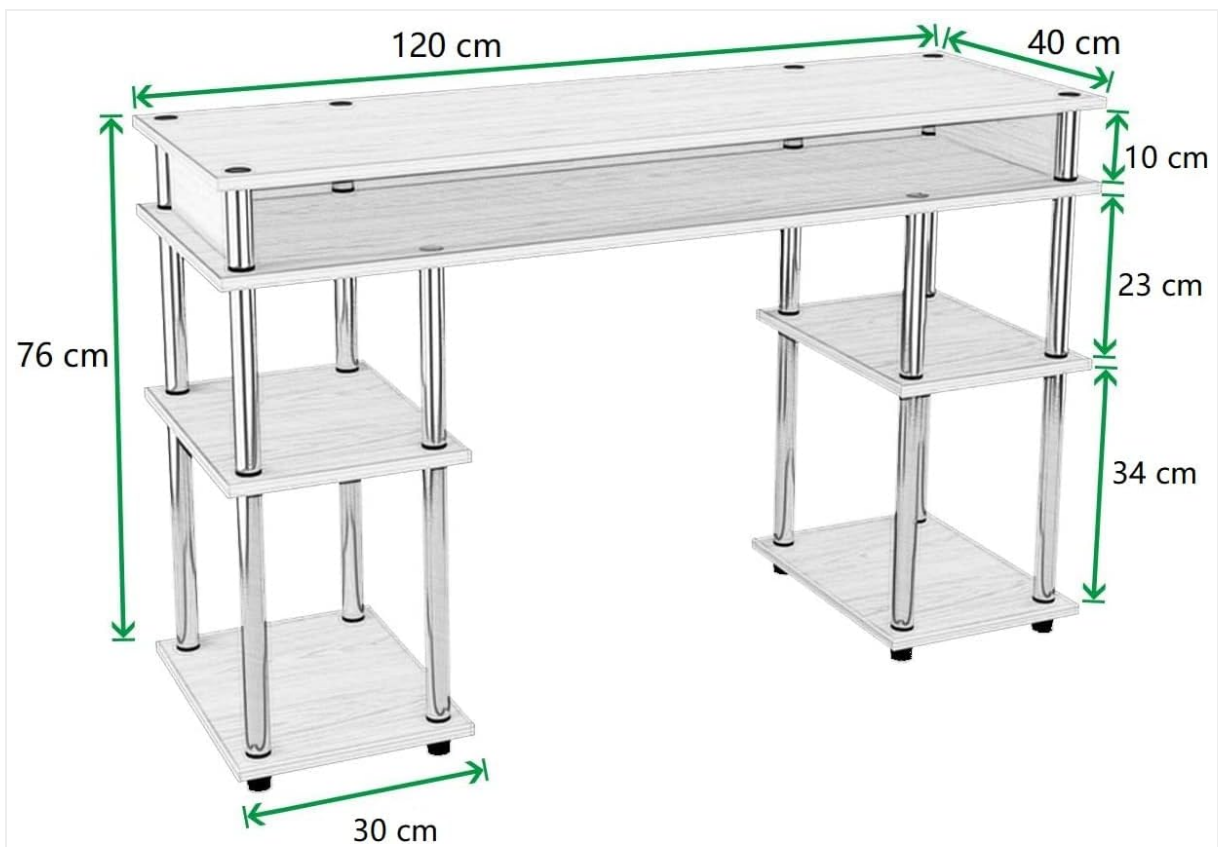


Image: Dimensional diagram of the SogesHome desk.

7. WARRANTY AND SUPPORT

For information regarding product warranty, please refer to the documentation included with your purchase or contact the retailer from whom you purchased the SogesHome 120 cm Multipurpose Computer Desk. For technical support or inquiries about parts, please reach out to SogesHome customer service through their official website or the contact information provided by your retailer.