

BONTEC MD04

BONTEC MD04 Sit-Stand Desk Converter Instruction Manual

1. INTRODUCTION

Thank you for choosing the BONTEC MD04 Sit-Stand Desk Converter. This product is designed to transform your existing desk into an ergonomic sit-stand workstation, promoting better posture and reducing strain during long working hours. Its two-tier design provides ample space for monitors, keyboards, and mice, while the gas spring mechanism allows for smooth and effortless height adjustments.

This manual provides essential information for the safe and efficient use of your desk converter. Please read it thoroughly before assembly and operation, and retain it for future reference.

2. SAFETY INFORMATION

Always ensure the desk converter is placed correctly on a stable and level surface. Do not exceed the maximum load capacity of 15 kg (33 lbs) to maintain stability and prevent accidents. Keep the work area clear of obstructions to avoid tripping hazards when adjusting the height. Ensure all cables are managed to prevent entanglement during height transitions. Avoid placing hands or fingers near moving parts during adjustment.

3. PACKAGE CONTENTS

Please verify that all components are present before beginning assembly:

- BONTEC MD04 Sit-Stand Desk Converter (Main Unit)
- Keyboard Tray
- Two adhesive cable management clips
- Assembly Tools (if required, minimal assembly is needed)

4. SETUP

The BONTEC MD04 desk converter requires minimal assembly. Follow these steps to set up your workstation:

1. Carefully remove all components from the packaging.
2. Place the main unit of the desk converter on your existing desk in the desired position.
3. Attach the keyboard tray to the designated slots on the main unit. Ensure it is securely fastened.
4. Organize your monitors, keyboard, and mouse on the respective platforms.
5. Use the provided adhesive cable management clips to secure any loose cables, maintaining a tidy workspace.

◆ For Enhanced Ergonomic Benefits

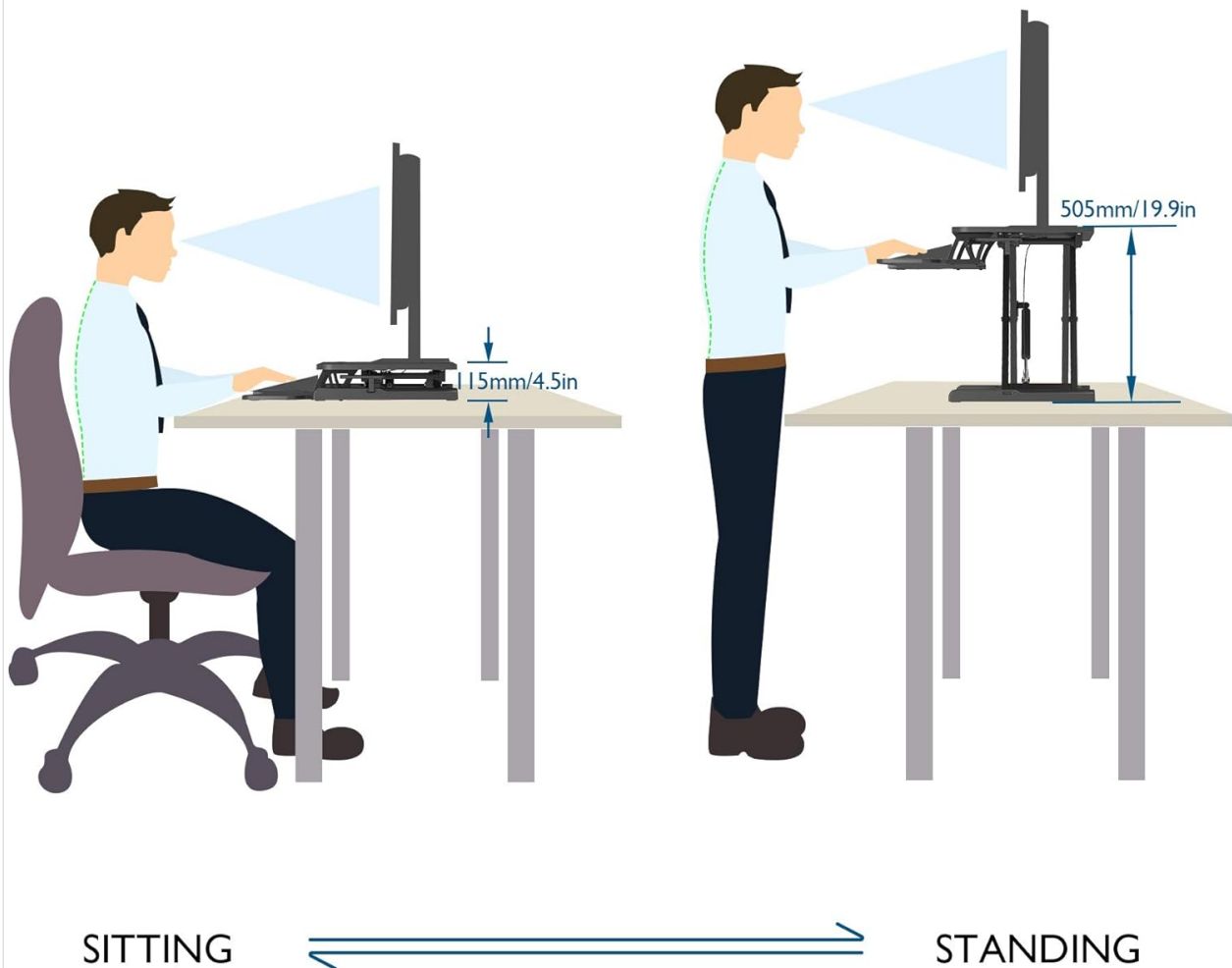


Figure 4.1: Easy and fast assembly process. Simply unbox, place the main unit, attach the keyboard tray, and arrange your setup.

5. OPERATING INSTRUCTIONS

The BONTEC MD04 features a gas spring mechanism for smooth height adjustment. This allows you to effortlessly switch between sitting and standing positions.

5.1 Adjusting Height

1. To raise the workstation, gently squeeze the levers located on both sides of the upper platform.
2. While holding the levers, guide the platform upwards to your desired standing height. Release the levers to lock the platform in place.

3. To lower the workstation, gently squeeze the levers again. Apply slight downward pressure to guide the platform to your desired sitting height. Release the levers to lock it.

The height can be adjusted freely between 115 mm (4.5 inches) and 505 mm (19.9 inches).

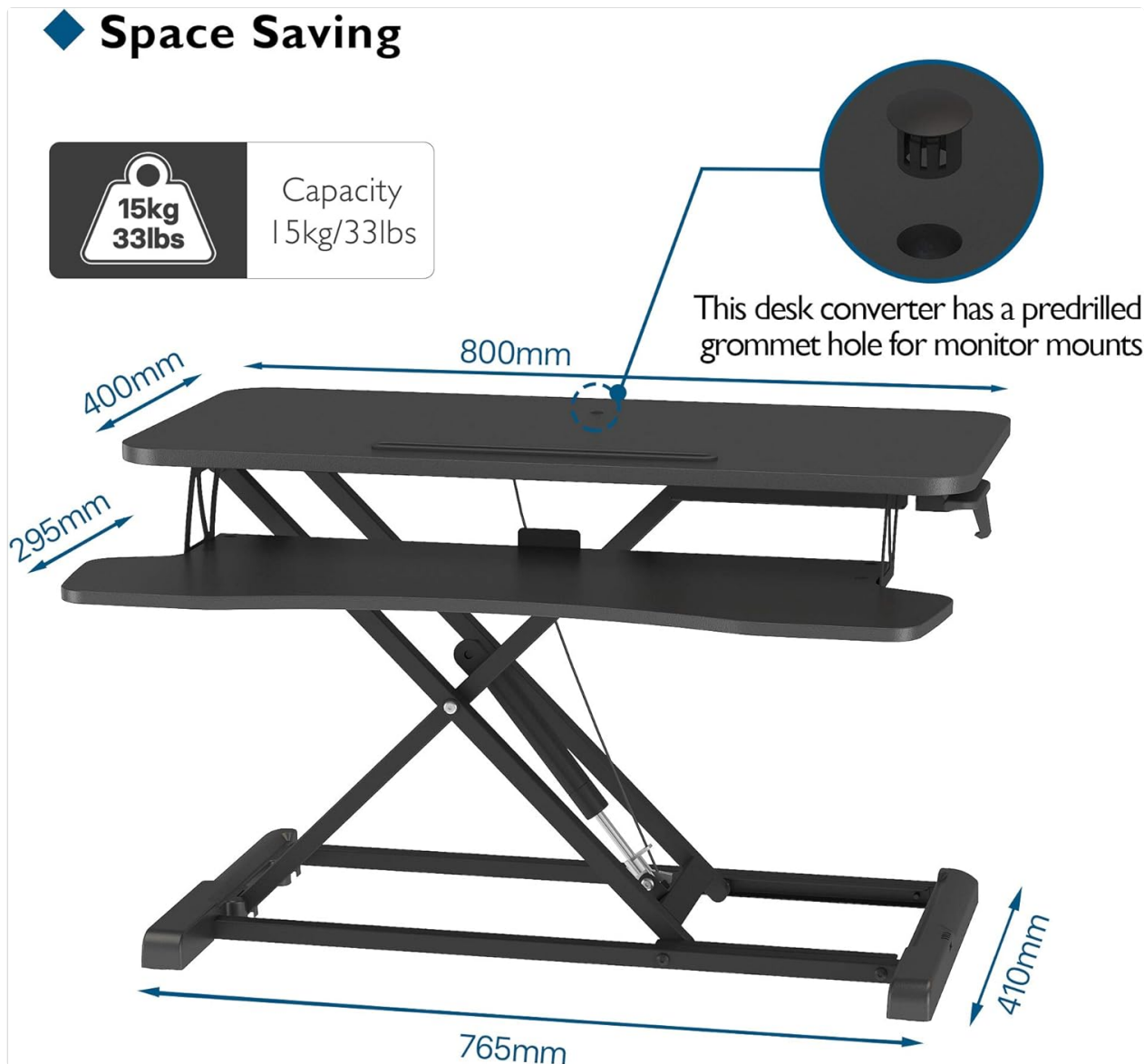


Figure 5.1: The desk converter offers a height range from 115mm (min) to 505mm (max) for personalized ergonomic settings.

◆ Heights Can Be Adjusted at Your Will

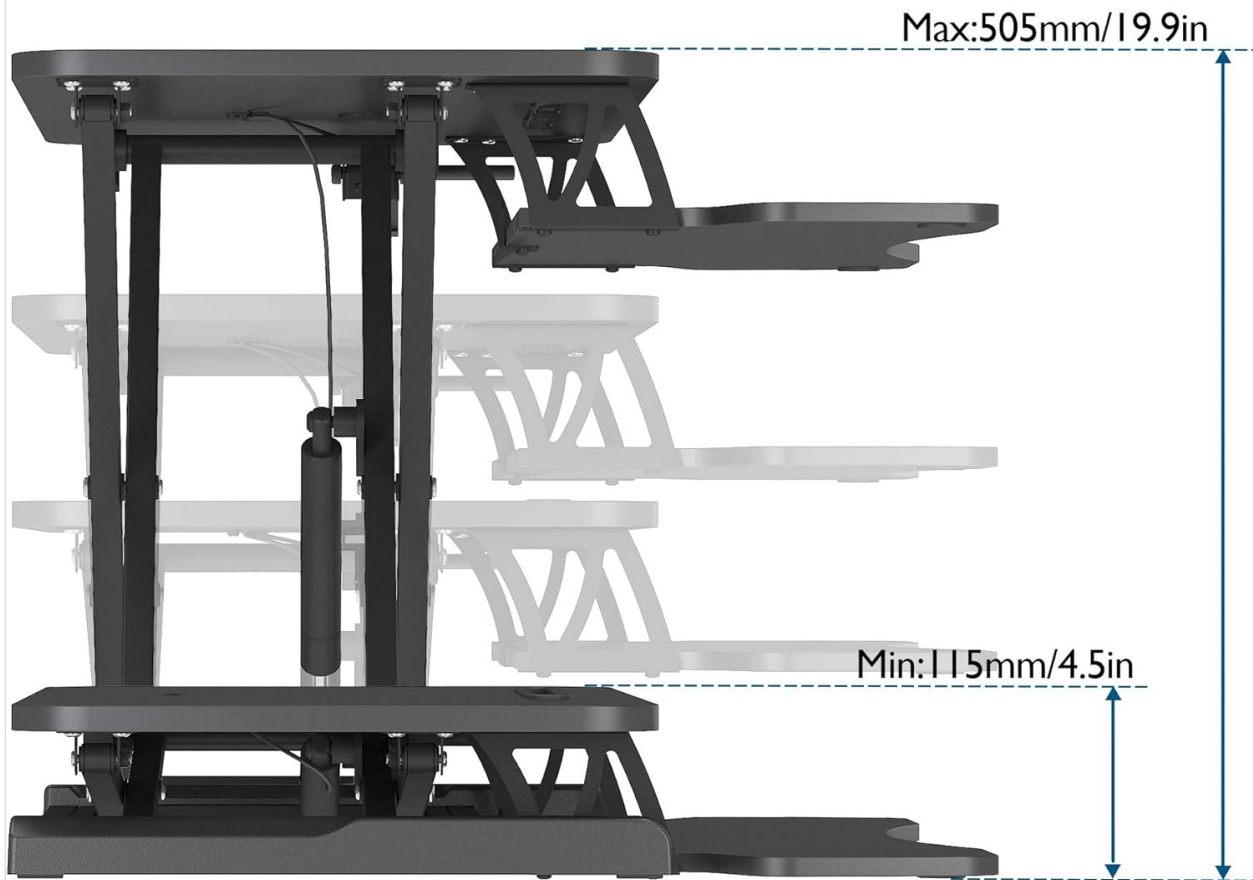


Figure 5.2: Transitioning between sitting and standing positions helps improve posture and reduce discomfort.

6. MAINTENANCE

To ensure the longevity and optimal performance of your BONTEC MD04 Sit-Stand Desk Converter, follow these simple maintenance guidelines:

- **Cleaning:** Wipe the surfaces with a damp cloth. Avoid using harsh chemicals or abrasive cleaners, as these may damage the finish.
- **Inspection:** Periodically check all screws and connections to ensure they are tight. Retighten if necessary.
- **Gas Spring:** The gas spring mechanism is designed for maintenance-free operation. Do not attempt to lubricate or disassemble it.

7. TROUBLESHOOTING

If you encounter any issues with your BONTEC MD04 Sit-Stand Desk Converter, please refer to the following common troubleshooting tips:

- **Difficulty Adjusting Height:** Ensure that the levers on both sides are fully squeezed. Check that the weight on the desk converter does not exceed the maximum capacity of 15 kg (33 lbs).
- **Wobbling or Instability:** Verify that the desk converter is placed on a flat, stable surface. Check all assembly connections to ensure they are tight. Ensure the weight is evenly distributed on the platforms.

- **Noise During Adjustment:** A slight sound during adjustment is normal due to the gas spring mechanism. If the noise is excessive or unusual, ensure no parts are rubbing against each other or that the unit is not overloaded.

If the problem persists after attempting these solutions, please contact customer support.

8. SPECIFICATIONS

Feature	Specification
Model Number	MD04
Brand	BONTEC
Product Dimensions (D x W x H)	41 x 80 x 50.5 cm (16.1 x 31.5 x 19.9 inches)
Top Platform Dimensions	800 x 400 mm (31.5 x 15.7 inches)
Minimum Height	11.5 cm (4.5 inches)
Maximum Height	50.5 cm (19.9 inches)
Weight Capacity	15 kg (33 lbs)
Material	Engineered Wood (Top), Alloy Steel (Base)
Color	Black
Special Features	Adjustable, Ergonomic, Gas Spring Mechanism, Pre-drilled grommet hole for monitor mounts
Assembly Required	Minimal

Diseño de seguridad

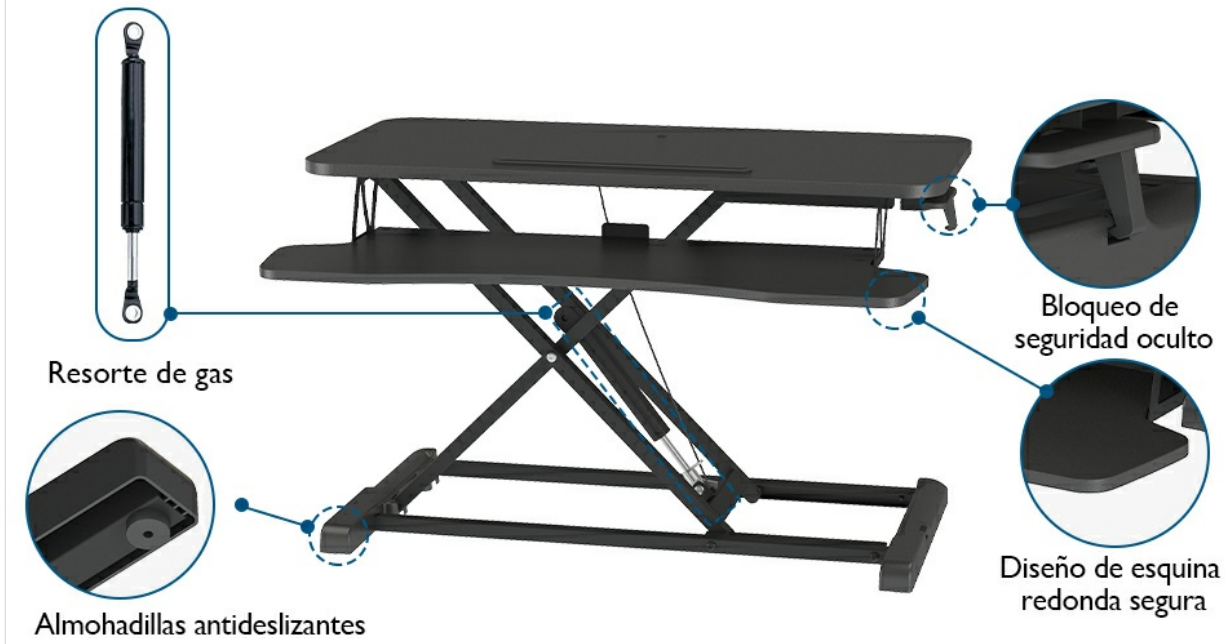


Figure 8.1: Detailed dimensions and weight capacity of the desk converter.

◆ Easy & Fast, Only Small Parts Need to Be Assembled

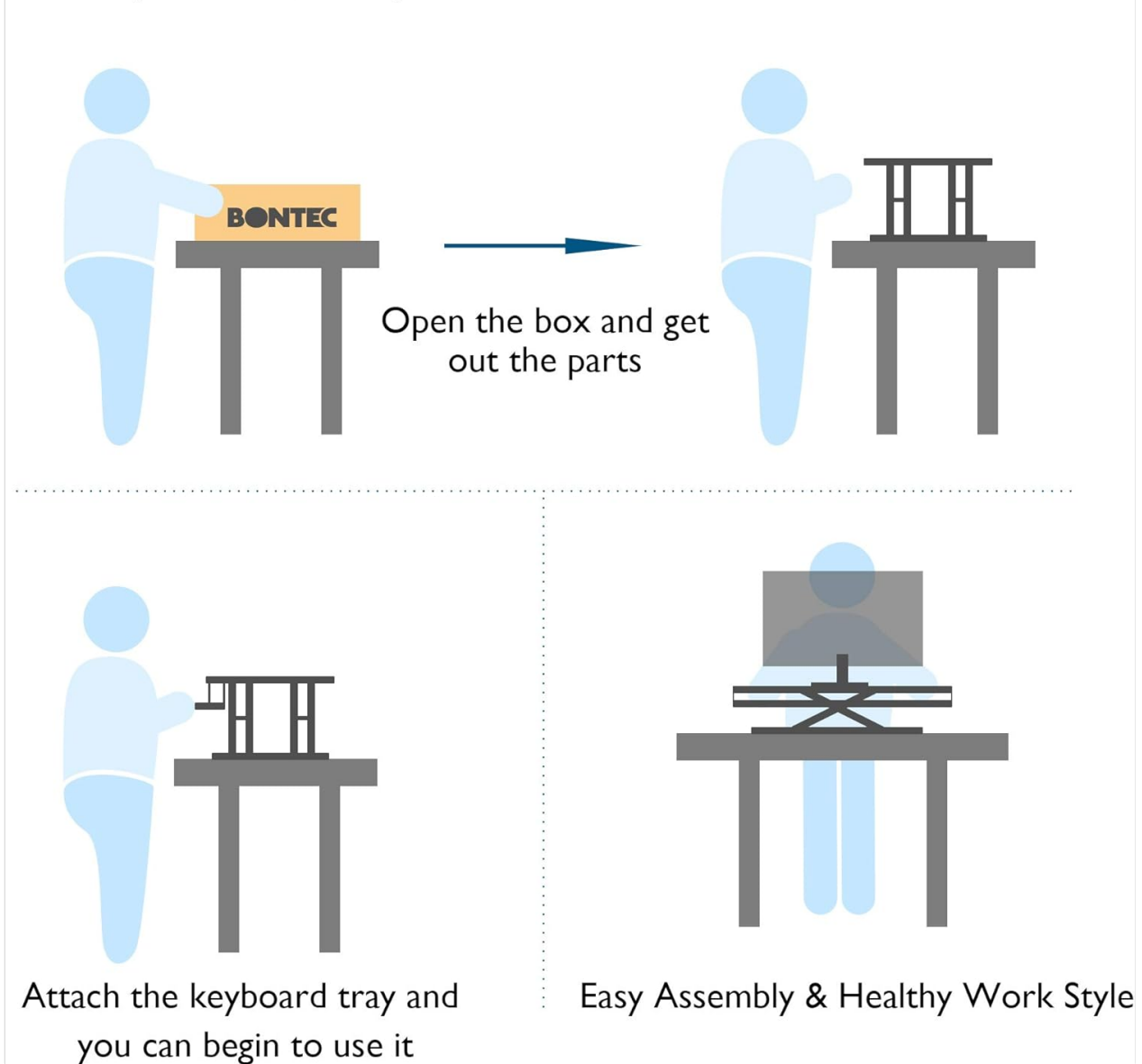


Figure 8.2: Safety design elements such as concealed safety locks, safe round corner design, non-slip pads, and the gas spring mechanism.

9. WARRANTY

The BONTEC MD04 Sit-Stand Desk Converter comes with a Limited Warranty. This warranty covers manufacturing defects in materials and workmanship under normal use. Please refer to the product packaging or contact BONTEC customer support for specific terms and conditions of your warranty.

10. SUPPORT

For further assistance, technical support, or warranty claims, please contact BONTEC customer service through the retailer where you purchased the product or visit the official BONTEC website. Please have your model number (MD04) and purchase information ready when contacting support.

Online Resources: For additional product information, FAQs, and support, please visit the [BONTEC Brand Store](#).

