



[Manuals.plus](#) /

› [Sauder](#) /

› Sauder North Avenue L-Shaped Desk (Model 424932) Instruction Manual

Sauder 424932

Sauder North Avenue L-Shaped Desk

MODEL: 424932

Instruction Manual

Introduction

Thank you for choosing the Sauder North Avenue L-Shaped Desk. This manual provides essential information for the proper assembly, use, and maintenance of your new desk. Please read all instructions carefully before beginning assembly and retain this manual for future reference.

This L-shaped desk is designed to provide a spacious and functional workspace for your home office or study area. It features a durable construction with a Charter Oak finish and a robust black metal frame, ensuring stability and longevity. The versatile design allows for placement in various room configurations.



Image: The Sauder North Avenue L-Shaped Desk, Charter Oak finish, shown in a contemporary office environment.

Setup and Assembly

Assembly of this L-shaped desk is required. Please ensure you have all components and tools before starting. It is recommended to assemble the desk in the room where it will be used to avoid moving it after completion.

Included Components:

- Engineered wood panels (Charter Oak finish)
- Black metal frame components
- All necessary hardware (screws, bolts, connectors)
- Detailed assembly instructions (separate document)

Recommended Tools (Not Included):

- Phillips head screwdriver

- Hammer (optional, for dowels)

Follow the step-by-step assembly instructions provided in the separate document. Ensure all connections are tightened securely but do not overtighten to prevent damage. The desk features a sturdy metal frame with hinges for the L-shape configuration.



Image: Detail of the robust black metal frame and hinge mechanism.

Operating Instructions

Your Sauder North Avenue L-Shaped Desk is designed for optimal functionality in a home office setting. It offers ample surface area and integrated storage.

Work Surface:

The expansive L-shaped top surface provides generous space for your laptop, monitor, keyboard, mouse, notebooks, and other essential office supplies. Its design allows for comfortable multi-tasking and organization.

Open Storage Shelves:

The desk includes open storage shelves with fixed panels, ideal for housing storage boxes, binders, paper, and other items. These shelves help keep your workspace tidy and organized.



Image: The integrated open storage shelves, demonstrating their capacity for office items.

Optional Wireless Charging:

This desk is compatible with the optional Qi-compatible wireless charger (e.g., iGearPro 425905), which is sold separately. If you choose to integrate this feature, refer to the charger's specific installation and usage instructions. For more information on compatible chargers, visit [Sauder.com](https://www.sauder.com).

Maintenance and Care

Proper care will help maintain the appearance and longevity of your Sauder L-Shaped Desk.

Cleaning:

- Wipe surfaces with a soft, damp cloth.

- Avoid using harsh chemicals, abrasive cleaners, or polishes that may damage the finish.
- Promptly wipe up spills to prevent staining or water damage.

General Care:

- Avoid placing hot items directly on the surface; use coasters or protective pads.
- Do not drag items across the surface to prevent scratches.
- Periodically check and tighten all hardware connections to ensure stability.
- Keep the desk away from direct sunlight and extreme temperature changes to prevent warping or fading.



Image: A detailed view of the Charter Oak engineered wood finish.

Troubleshooting

If you encounter any issues with your Sauder L-Shaped Desk, please refer to the following common solutions:

Instability or Wobbling:

- Ensure all assembly hardware (screws, bolts) is securely tightened.
- Verify that the desk is placed on a level surface. Adjust any leveling feet if present.
- Recheck the assembly instructions to confirm all parts are correctly installed.

Damaged or Missing Parts:

- Before assembly, carefully inspect all components. If any parts are damaged or missing, do not proceed with assembly.
- Contact Sauder customer support for replacement parts. Have your model number (424932) and proof of purchase ready.

Specifications

Key specifications for the Sauder North Avenue L-Shaped Desk, Model 424932:

Brand	Sauder
Model Number	424932
Product Type	L-Shaped Computer Desk
Color/Finish	Charter Oak
Primary Material	Engineered Wood, Metal
Assembled Dimensions (L x W x H)	47.01" x 47.44" x 28.5" (119.4 cm x 120.7 cm x 72.4 cm)
Item Weight	32.89 lbs (14.92 kg)
Maximum Weight Recommendation	300 lbs (136 kg)
Number of Shelves	3
Assembly Required	Yes
GTIN/UPC	042666050968

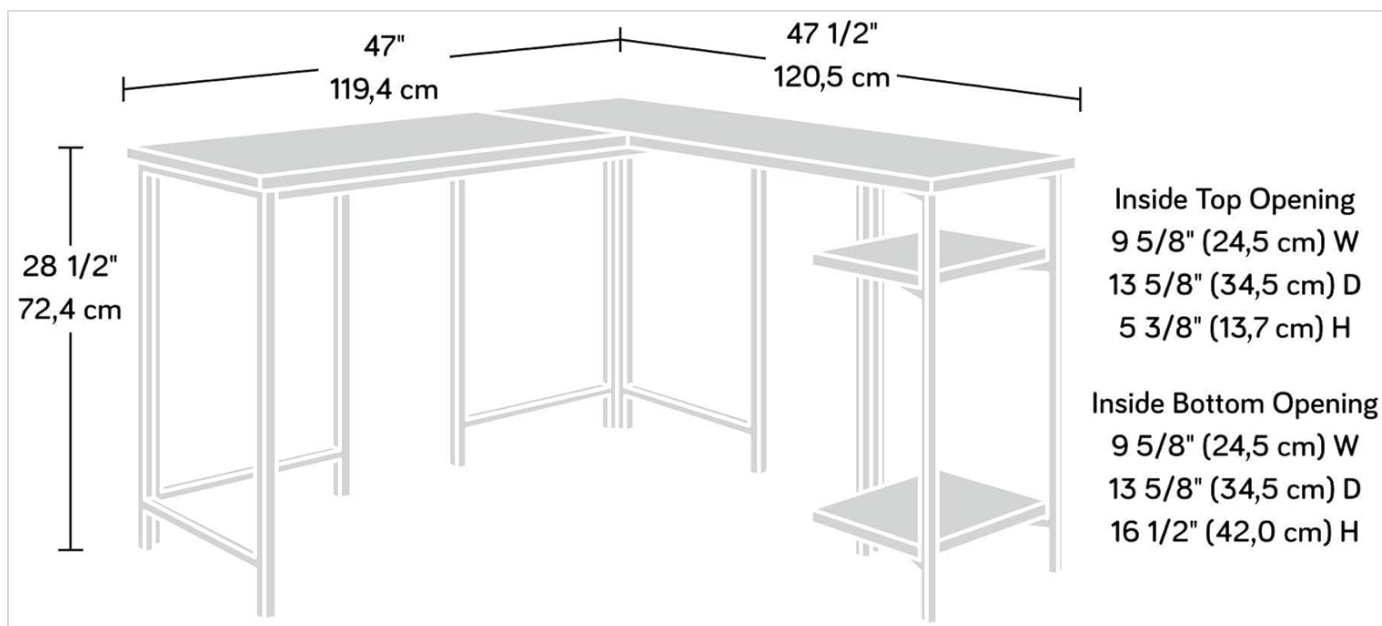


Image: Detailed dimensional drawing of the L-shaped desk, including shelf opening sizes.

Warranty Information

This Sauder North Avenue L-Shaped Desk is covered by a **5-year limited warranty**. This warranty covers defects in materials and workmanship under normal use. For specific terms, conditions, and to make a warranty claim, please refer to the warranty documentation included with your product or visit the official Sauder website.

Customer Support

For further assistance, questions regarding assembly, missing parts, or warranty claims, please contact Sauder customer service. You can find contact information and additional resources on the official Sauder website:

[Visit Sauder.com](https://www.sauder.com)

Please have your product model number (424932) and purchase details available when contacting support.