



[Manuals.plus](#) /

> [CXRCY](#) /

> CXRCY 12V 4000 lbs Electric Winch User Manual

CXRCY RF4000lbs

CXRCY 12V 4000 lbs Electric Winch User Manual

Model: RF4000lbs

1. INTRODUCTION

This manual provides essential information for the safe and effective operation, installation, and maintenance of your CXRCY 12V 4000 lbs Electric Winch. Designed for ATV/UTV applications, this winch offers reliable pulling power for various off-road and towing needs. Please read this manual thoroughly before using the product to ensure proper function and safety.



It can be self-rescued in harsh environments. Such as snow, swamps, beaches, deserts and muddy mountain roads.



The CXRCY 4000 lbs Electric Winch is suitable for ATV/UTV applications and can assist in self-rescue in challenging environments such as snow, swamps, beaches, deserts, and muddy mountain roads.

2. SAFETY INFORMATION

Your safety and the safety of others are extremely important. Always observe the following safety precautions when installing, operating, or maintaining the winch.

- **Read the Manual:** Always read and understand the entire instruction manual before operating the winch.
- **Proper Application:** This winch is designed for ATV/UTV use only. **DO NOT use for lifting or as a hoist. DO NOT fit to trucks or cars.**
- **Wear Protective Gear:** Always wear heavy-duty gloves, eye protection, and other appropriate safety gear when operating the winch.
- **Inspect Before Use:** Before each use, inspect the winch, rope, hook, and all connections for damage or wear. Do not use if any components are damaged.

- **Maintain Safe Distance:** Keep hands, clothing, and hair clear of the wire rope, hook, and fairlead during operation. Keep bystanders at a safe distance.
- **Avoid Overloading:** Do not exceed the rated pulling capacity of the winch.
- **Secure Vehicle:** Ensure the vehicle is properly secured and braked before winching.
- **Battery Connection:** Ensure correct polarity when connecting to the battery. Incorrect wiring can cause damage or injury.
- **Power Off When Not in Use:** Always turn off the power switch when the winch is not in use to prevent accidental operation.



Important: This winch is not designed for use with trucks or cars, nor can it be used as a hoist for lifting.

3. PRODUCT OVERVIEW AND COMPONENTS

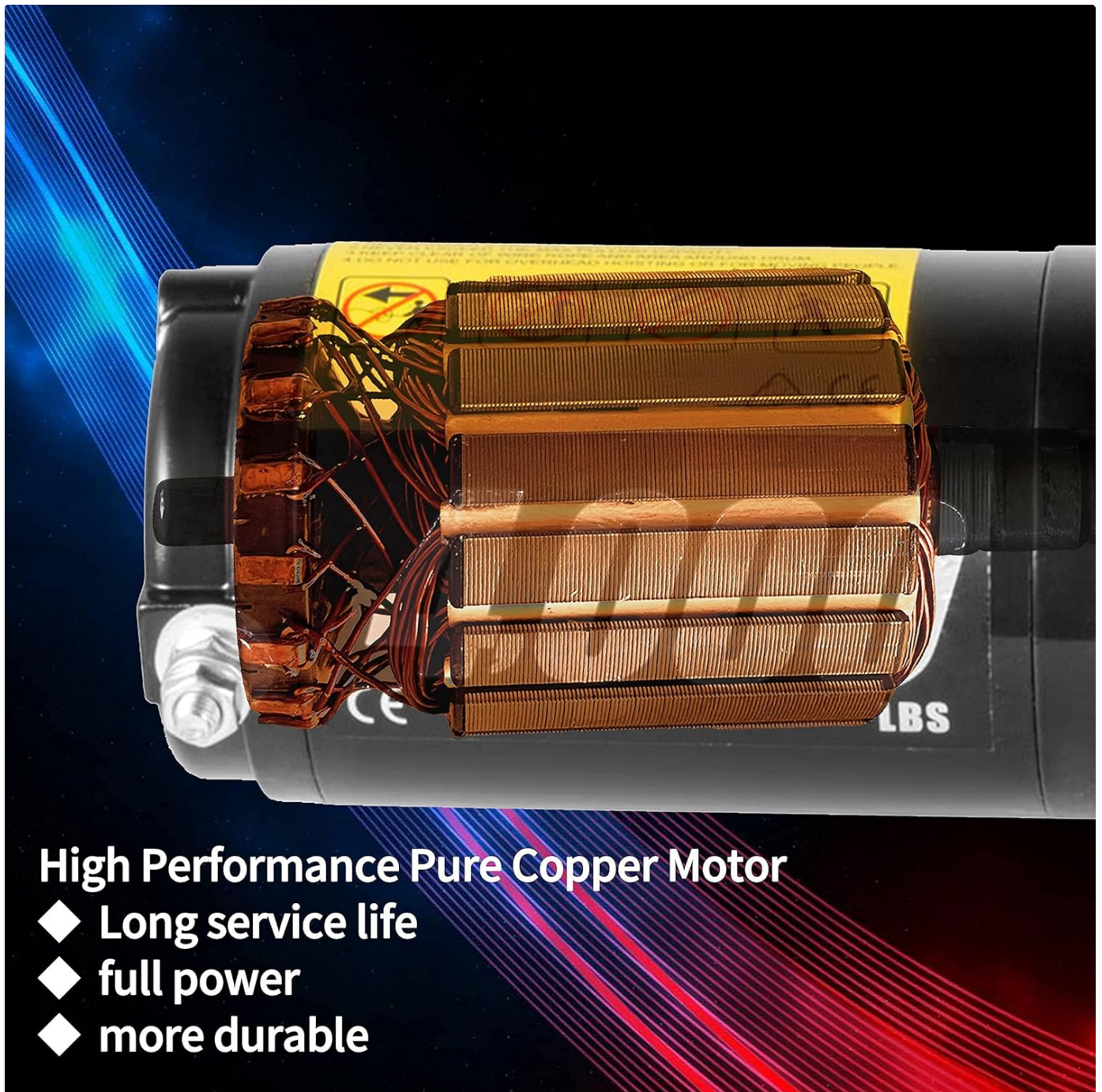
The CXRCY 4000 lbs Electric Winch system includes the winch unit, steel rope, hook, wireless remote control, control box, and necessary mounting hardware.



Complete CXRCY 4000 lbs Electric Winch kit with all included components.

Key Features:

- **Powerful Motor:** Equipped with a 2 HP permanent magnet motor for reliable pulling.
- **Durable Gear System:** Features a full metal 3-stage planetary gear system with a 158:1 reduction ratio for strong pulling capacity.
- **Dual Remote Control:** Includes both wired and wireless remote control options for flexible operation. Wireless control range up to 25 meters.
- **Robust Rope:** Upgraded steel wire rope, 3/16" (4.7mm) diameter x 32.8' (10m) length.
- **Weather Protection:** IP68-rated waterproof construction with a matte black textured finish for resistance against rain and moisture.



High-performance pure copper motor for long service life and full power.

4. SETUP AND INSTALLATION

Proper installation is crucial for the safe and effective operation of your winch. Follow these steps carefully.

Mounting the Winch:

Mount the winch securely to a suitable winch plate or mounting bracket on your ATV/UTV. Ensure the mounting surface is strong enough to handle the maximum pulling force of the winch. Use all provided hardware and tighten fasteners to the manufacturer's specifications.

Wiring Connections:

Connect the winch to a 12V battery system. Ensure all connections are clean, tight, and free from corrosion. Pay close attention to polarity.

- Connect the **red wire** from the winch to the **positive (+) terminal** of the battery.
- Connect the **black wire** from the winch to the **negative (-) terminal** of the battery.
- Connect the red wire from the control box to the front binding post of the winch.
- Connect the black wire from the control box to the back binding post of the winch.
- Ensure all connections are insulated and protected from environmental elements.

Video demonstrating the wiring connections for the CXRCY 4000 lbs Electric Winch. This video shows how to connect the red wire to the positive pole of the battery, the black wire to the negative pole, and the control box wires to the winch binding posts for both remote and wireless control setup.

5. OPERATING INSTRUCTIONS

Familiarize yourself with the controls and proper winching techniques before operation.

Engaging/Disengaging the Clutch:

To free-spool the rope, rotate the clutch handle to the "Free Spool" or "Disengage" position. To engage the clutch for winching, rotate the handle to the "Engage" position.

Using the Remote Control:

The winch can be operated using either the wired or wireless remote control.

- **Wired Remote:** Connect the wired remote to the control box. Use the "IN" button to reel in the rope and the "OUT" button to reel out the rope.
- **Wireless Remote:** Ensure the wireless receiver is connected and the remote control has working batteries. Use the "IN" and "OUT" buttons to control the winch. The wireless range is approximately 25 meters (82 feet).

REMOTE & WIRELESS CONTROL



Allows the operation of this winch from anywhere within a 50-foot radius.



The wireless remote control allows operation from a distance, enhancing safety and convenience.

Winching Procedure:

1. Ensure the vehicle is stable and secured.
2. Disengage the clutch and pull out enough rope to reach the anchor point.
3. Secure the hook to a suitable anchor point (e.g., tree saver strap around a tree, recovery point on another vehicle).
4. Engage the clutch.
5. Stand clear of the rope and winch. Use the remote control to slowly reel in the rope, ensuring the rope spools evenly on the drum.
6. Monitor the winching process closely. If the winch struggles or the motor overheats, stop operation and allow it to cool.
7. Once the recovery is complete, disengage the clutch, remove the hook from the anchor, and carefully rewind the rope onto the drum.

6. MAINTENANCE

Regular maintenance will ensure the longevity and reliable performance of your CXRCY Electric Winch.

- **Cleanliness:** Keep the winch clean and free of dirt, mud, and debris. Wipe down the exterior after each use.
- **Rope Inspection:** Regularly inspect the steel rope for frays, kinks, or damage. Replace the rope if any damage is found.
- **Electrical Connections:** Check all electrical connections periodically for tightness and corrosion. Clean terminals as needed.
- **Lubrication:** Consult a qualified technician for internal lubrication if necessary. The winch is generally sealed and requires minimal user lubrication.
- **Storage:** Store the winch in a dry, protected area when not in use.

7. TROUBLESHOOTING

If you encounter issues with your winch, refer to the following common problems and solutions.

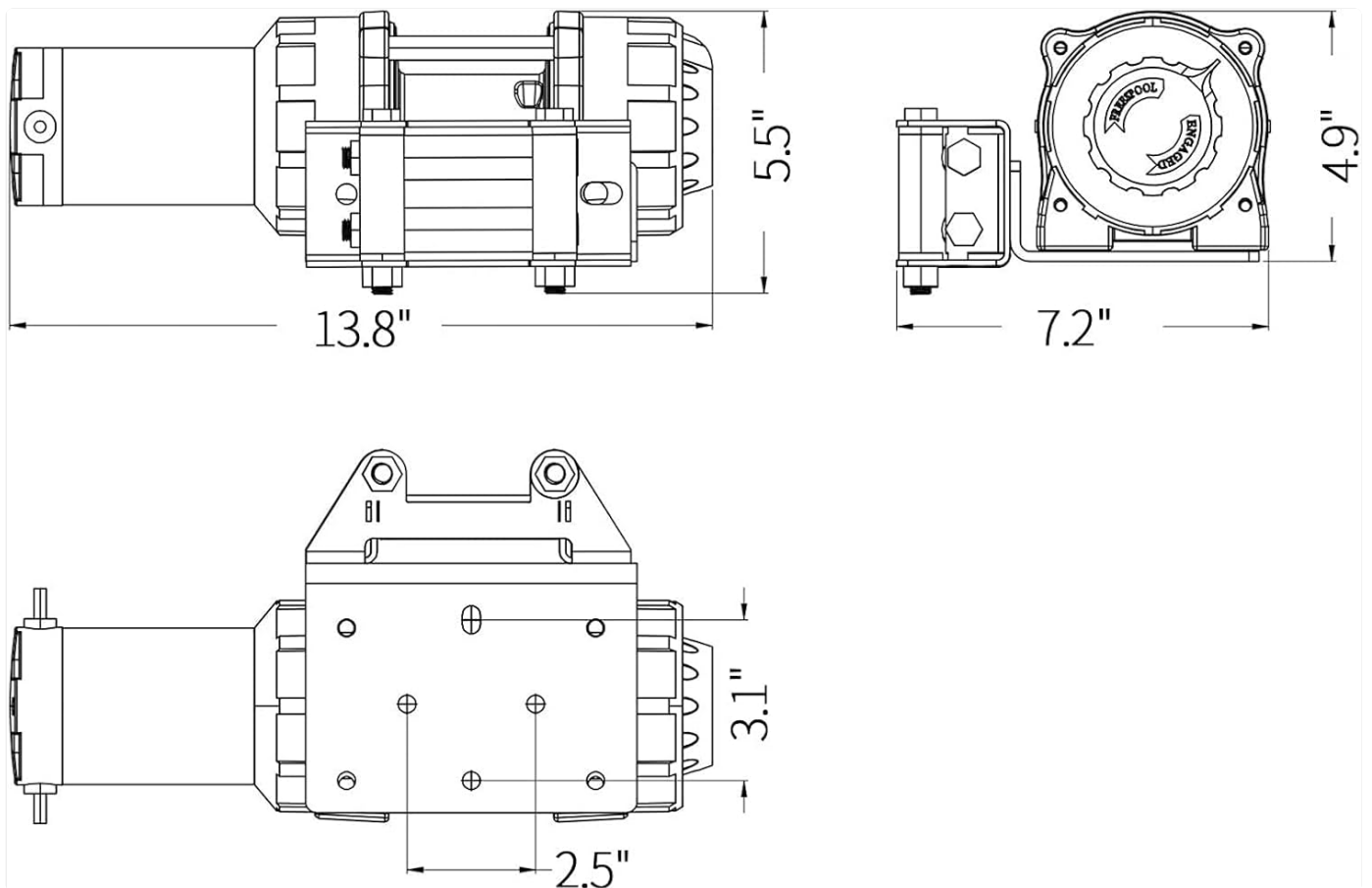
Problem	Possible Cause	Solution
Winch does not operate	No power to winch; Loose or corroded battery connections; Faulty remote control; Overload protection activated.	Check battery charge; Clean and tighten all electrical connections; Test remote control batteries/connection; Allow winch to cool down.
Winch operates slowly or weakly	Low battery voltage; Overload; Damaged motor or gears.	Recharge or replace battery; Reduce load; Consult a qualified technician for inspection.
Rope does not spool evenly	Incorrect winching angle; Lack of tension on rope.	Adjust winching angle; Maintain slight tension on the rope during rewinding.
Remote control not working	Dead batteries (wireless); Loose connection (wired); Interference (wireless).	Replace batteries; Check wired connection; Move closer to winch or away from interference sources.

8. SPECIFICATIONS

Detailed technical specifications for the CXRCY 12V 4000 lbs Electric Winch.

Specification	Value
Model Number	RF4000lbs
Rated Line Pull	4000 lbs (single line)
Motor	2 HP Permanent Magnet
Gear Reduction Ratio	158:1

Specification	Value
Gear Train	3-Stage Planetary
Rope Type	Steel Wire Rope
Rope Dimensions	3/16" (4.7mm) Diameter x 32.8' (10m) Length
Overall Dimensions	11.8 x 4.5 x 5.9 inches
Item Weight	18.66 pounds
Waterproof Rating	IP68
Country of Origin	China



Dimensional drawing of the CXRCY 4000 lbs Electric Winch.

9. WARRANTY AND SUPPORT

CXRCY stands behind the quality of its products.

- **Mechanical Warranty:** Lifetime warranty.
- **Electrical Warranty:** 1-year warranty.
- **Technical Support:** Lifetime technical support is provided.

For warranty claims or technical assistance, please contact CXRCY customer support through your purchase platform or the official CXRCY website.



© 2024 CXRCY. All rights reserved.