

Manuals+

[Q & A](#) | [Deep Search](#) | [Upload](#)

manuals.plus /

> [Inspire](#) /

> [Inspire YONKERS LED Outdoor Spotlight with Motion Sensor - User Manual](#)

Inspire YONKERS

Inspire YONKERS LED Outdoor Spotlight with Motion Sensor - User Manual

PRODUCT OVERVIEW

The Inspire YONKERS LED Outdoor Spotlight is a high-performance lighting solution designed for outdoor use. It features an integrated LED system providing 4600 lumens of bright white light (4000K) with a power consumption of 50W. Equipped with a 180° motion sensor, it offers automatic illumination, enhancing security and convenience. Its robust aluminum construction and IP65 rating ensure durability and weather resistance.

Safety Information

- Ensure power is disconnected before installation or maintenance.
- Installation should be performed by a qualified electrician.
- Do not look directly into the LED light source when illuminated.
- This product is designed for outdoor use and is IP65 rated, meaning it is protected against dust and water jets.

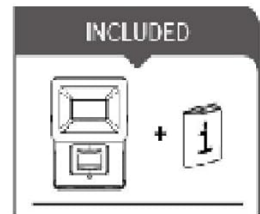
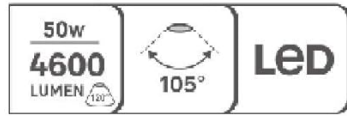


Image: Front view of the Inspire YONKERS LED Outdoor Spotlight, showcasing its black aluminum frame and white LED panel, with the motion sensor positioned below.

SETUP AND INSTALLATION

Package Contents

- Inspire YONKERS LED Outdoor Spotlight
- Mounting bracket
- Screws and wall plugs (may vary)
- User Manual

Mounting Instructions

1. Choose a suitable mounting location on a wall, ensuring it is stable and can support the weight of the spotlight.
2. Use the mounting bracket as a template to mark the drilling points on the wall.
3. Drill holes at the marked positions and insert appropriate wall plugs.

4. Secure the mounting bracket to the wall using the provided screws.
5. Attach the spotlight to the mounting bracket, ensuring it is firmly secured. Adjust the angle of the spotlight as desired.



Image: Inspire YONKERS LED Outdoor Spotlight mounted on an exterior wall, demonstrating a typical installation scenario.

Electrical Connection

1. Ensure the main power supply is switched off at the circuit breaker before making any electrical connections.
2. Connect the live (L), neutral (N), and earth (E) wires from your electrical supply to the corresponding terminals on the spotlight. Refer to local electrical codes for proper wiring.
3. Ensure all connections are secure and properly insulated.
4. Once wiring is complete, restore power to the circuit.

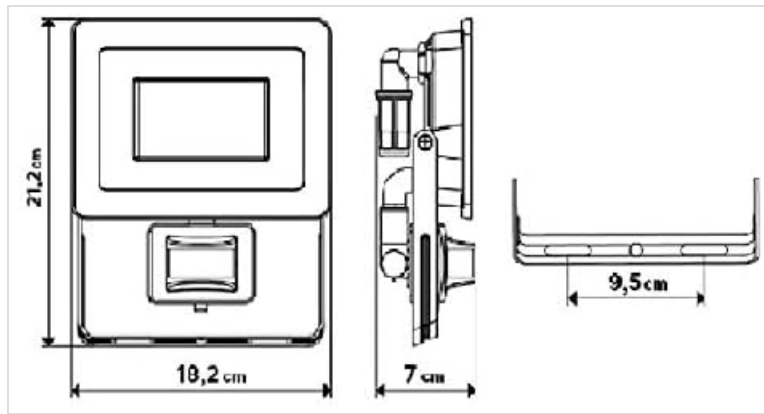


Image: Technical drawing showing the dimensions of the Inspire YONKERS LED Outdoor Spotlight, including height, width, and depth.

OPERATING INSTRUCTIONS

Motion Sensor Functionality

The integrated motion sensor detects movement within a 180° range and up to 10 meters distance. When motion is detected, the spotlight will automatically illuminate. The duration of illumination and sensitivity can be adjusted.

Adjusting Sensor Settings

The motion sensor features three adjustable knobs located on its underside:

- **TIME:** Adjusts the illumination duration after motion detection, from approximately 10 seconds to 10 minutes.
- **SENS (Sensitivity):** Controls the detection range of the motion sensor. Turn clockwise for higher sensitivity (longer range) and counter-clockwise for lower sensitivity (shorter range).
- **LUX (Light Sensitivity):** Determines the ambient light level at which the sensor becomes active. Turn towards the sun icon for activation during daylight and towards the moon icon for activation only in darkness.



Image: Detailed view of the motion sensor unit, showing the three adjustable knobs labeled TIME, SENS, and LUX for customizing operation.

MAINTENANCE

The Inspire YONKERS LED Outdoor Spotlight requires minimal maintenance. To ensure optimal performance and longevity, follow these guidelines:

- **Cleaning:** Periodically clean the surface of the spotlight and the motion sensor lens with a soft, damp cloth. Do not use abrasive cleaners or solvents, as these can damage the finish or sensor.
- **Inspection:** Regularly check for any signs of damage to the housing, wiring, or mounting. If any damage is found, disconnect power and have it inspected by a qualified technician.
- **LEDs:** The integrated LED light source is designed for long life and is not user-replaceable.

TROUBLESHOOTING

Problem	Possible Cause	Solution
Light does not turn on.	No power supply; LUX setting too high; faulty wiring.	Check power connection; adjust LUX setting towards moon icon; verify wiring connections.
Light stays on continuously.	Continuous motion detected; TIME setting too long; faulty sensor.	Ensure no constant movement in detection zone; adjust TIME setting; contact support if sensor is faulty.
Motion sensor not detecting.	SENS setting too low; obstruction in detection path; sensor dirty.	Increase SENS setting; clear obstructions; clean sensor lens.

PRODUCT SPECIFICATIONS

Feature	Detail
Brand	Inspire
Model	YONKERS
Light Source Type	Integrated LED
Wattage	50 W
Luminous Flux	4600 Lumens
Color Temperature	4000K (Cool White)
Ingress Protection (IP) Rating	IP65 (Dust tight, protected against water jets)
Motion Sensor Detection Angle	180°
Motion Sensor Detection Range	Up to 10 meters
Adjustable Illumination Time	10 seconds to 10 minutes
Material	Aluminum
Color	Black
Product Dimensions (L x W x H)	7 x 18 x 21 cm
Weight	600 g
Energy Source	Corded Electric
Mounting Type	Wall Mount

WARRANTY INFORMATION

Specific warranty details for the Inspire YONKERS LED Outdoor Spotlight are typically provided with your purchase documentation. Please refer to the warranty card or contact your retailer for comprehensive information regarding warranty coverage, terms, and conditions.

CUSTOMER SUPPORT

For technical assistance, troubleshooting not covered in this manual, or inquiries regarding your Inspire YONKERS LED Outdoor Spotlight, please contact Inspire customer support or your point of purchase. Keep your product model number and purchase date ready when contacting support.