

## Elica PRF0164459

# Elica BLOOM BL/A/85 Cooker Hood Instruction Manual

Model: PRF0164459

## 1. INTRODUCTION

---

Thank you for choosing the Elica BLOOM BL/A/85 Cooker Hood. This manual provides essential information for the correct installation, operation, and maintenance of your appliance. Please read these instructions carefully before using the cooker hood and retain them for future reference.

The Elica BLOOM BL/A/85 is an island-mount cooker hood designed to efficiently remove cooking fumes and odors from your kitchen, ensuring a fresh and clean environment. It features touch controls, three speed settings, and LED lighting for optimal performance and user convenience.

## 2. SAFETY INFORMATION

---

**Important:** Please read all safety warnings and instructions carefully before installation and use to prevent electric shock, fire, injury, or property damage.

- Ensure the electrical installation complies with local regulations.
- Do not operate the hood with wet hands.
- Never leave frying food unattended, as overheated oil can ignite.
- Regularly clean the grease filters to prevent fire hazards.
- Do not flambé under the cooker hood.
- This appliance is not intended for use by persons (including children) with reduced physical, sensory or mental capabilities, or lack of experience and knowledge, unless they have been given supervision or instruction concerning use of the appliance by a person responsible for their safety.
- Children should be supervised to ensure that they do not play with the appliance.
- Disconnect the appliance from the mains power supply before any cleaning or maintenance.

## 3. PACKAGE CONTENTS

---

Before installation, please check that all components are present:

- Elica BLOOM BL/A/85 Cooker Hood unit
- Grease filter(s)
- Installation kit (screws, wall plugs, mounting brackets)
- Instruction Manual

## **4. SETUP AND INSTALLATION**

---

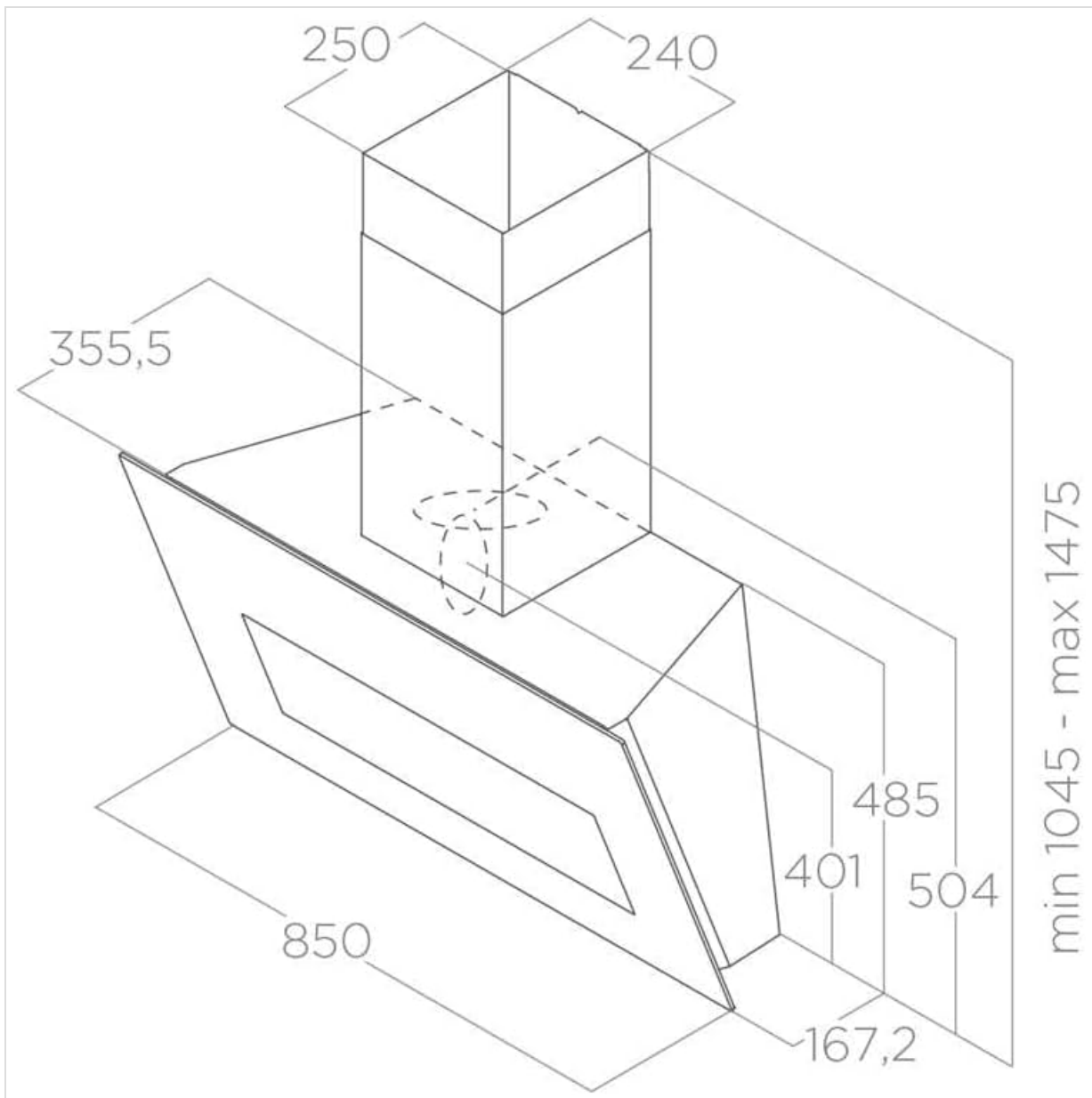
The Elica BLOOM BL/A/85 is designed for island mounting. Proper installation is crucial for the hood's performance and safety. It is recommended that installation be carried out by a qualified technician.

### **4.1 Mounting Location**

Ensure the mounting surface is strong enough to support the weight of the hood (19 kg). Maintain the recommended distance between the cooking surface and the hood as specified in local regulations or the installation kit instructions.

### **4.2 Dimensions and Clearance**

Refer to the diagram below for detailed dimensions and required clearances for installation.



**Image:** Dimension diagram for the Elica BLOOM BL/A/85 cooker hood. The diagram shows overall dimensions including a width of 850mm, a depth of 485mm, and a height adjustable between 1045mm and 1475mm. The chimney section is 250mm wide and 240mm deep.

### 4.3 Electrical Connection

Connect the hood to a 240V power supply. Ensure the power cable is not trapped or damaged during installation. All electrical connections must be performed by a qualified electrician.

### 4.4 Ducting (Recirculation Mode)

This model supports ductless/recirculation ventilation. Ensure the carbon filters (if not pre-installed) are correctly fitted for effective odor removal. Air is filtered and then recirculated back into the kitchen.

## 5. OPERATING INSTRUCTIONS

The Elica BLOOM BL/A/85 cooker hood features intuitive touch controls located on the front panel.



**Image:** Front view of the Elica BLOOM BL/A/85 cooker hood, showcasing its sleek black glass finish and the integrated touch control panel at the top center.

## 5.1 Power On/Off

Press the **Power** button (usually indicated by a circle or a power symbol) to turn the hood on or off.

## 5.2 Fan Speed Selection

The hood offers 3 fan speeds. Press the speed control buttons (often indicated by 'I', 'II', 'III' or '+' / '-') to select the desired extraction level. Use lower speeds for light cooking and higher speeds for intense cooking fumes.

## 5.3 Lighting Control

Press the **Light** button (usually indicated by a light bulb symbol) to turn the LED lighting on or off. The LED lights provide illumination for your cooking area.

# 6. MAINTENANCE

---

Regular maintenance ensures optimal performance and extends the lifespan of your cooker hood.

## 6.1 Cleaning the Grease Filters

The grease filters capture airborne grease particles. They should be cleaned regularly (approximately every 2-4 weeks, depending on usage) to maintain efficiency and prevent fire hazards.

- **Removal:** Disconnect the hood from the power supply. Locate the filter release catches, usually spring-loaded, and pull them to release the filters.
- **Cleaning:** Wash the filters by hand in hot soapy water or in a dishwasher on a low-temperature cycle.

Ensure they are completely dry before re-installation.

- **Re-installation:** Insert the dry filters back into their slots, ensuring they click securely into place.

## 6.2 Replacing Carbon Filters (for Recirculation Mode)

If your hood operates in recirculation mode, it uses activated carbon filters to remove odors. These filters cannot be washed and must be replaced every 3-6 months, depending on usage.

- **Removal:** Disconnect power. Remove the grease filters. The carbon filters are typically located behind the grease filters, attached to the motor housing. Follow the specific instructions provided with your carbon filters for removal.
- **Replacement:** Install new carbon filters, ensuring they are correctly oriented and secured.

## 6.3 Cleaning the Exterior

Clean the exterior surfaces of the hood with a soft cloth and a mild, non-abrasive detergent. Avoid using harsh chemicals, abrasive cleaners, or scouring pads, especially on the glass surfaces, as they can damage the finish.

## 7. TROUBLESHOOTING

---

If you encounter issues with your cooker hood, refer to the following common problems and solutions:

- **Hood does not turn on:**
  - Check if the hood is properly plugged into the power outlet.
  - Verify the circuit breaker or fuse for the kitchen circuit.
  - Ensure the power button on the touch control panel is pressed.
- **Poor suction performance:**
  - Clean or replace the grease filters. Clogged filters significantly reduce airflow.
  - If in recirculation mode, replace the carbon filters.
  - Ensure there is adequate ventilation in the kitchen (e.g., a window slightly open) to allow air replacement.
- **Lights are not working:**
  - Check if the light button is pressed.
  - If individual LED lights are replaceable, check if they need replacement (consult a technician if unsure).
- **Unusual noise:**
  - Ensure all filters are correctly installed and secured.
  - Check for any loose objects inside the hood.
  - If the noise persists, contact customer support.

If the problem persists after attempting these solutions, please contact Elica customer support or a qualified service technician.

## 8. SPECIFICATIONS

---

Feature	Specification
Brand	Elica
Model Number	PRF0164459
Finish Type	Painted
Material	Glass
Sound Level	35 Decibels
Mounting Type	Island Mount
Included Components	Grease filter, Installation kit
Control Type	Touch
Voltage	240V
Number of Speeds	3
Item Weight	19 Kilograms
Light Source Type	LED
Filter Type	Grease filter
Ventilation Type	Ductless/Recirculation
Item Shape	Pyramid
Hood Design	Wall-mounted extractor hood (Note: Product is island mount, specification might be generic)
ASIN	B08P8VPCFP

## 9. WARRANTY AND SUPPORT

---

Elica products are manufactured to high-quality standards and come with a manufacturer's warranty. Please refer to the warranty card included with your product or visit the official Elica website for detailed warranty terms and conditions.

For technical assistance, spare parts, or any other inquiries, please contact Elica customer support. Have your model number (PRF0164459) and purchase date ready when contacting support.